

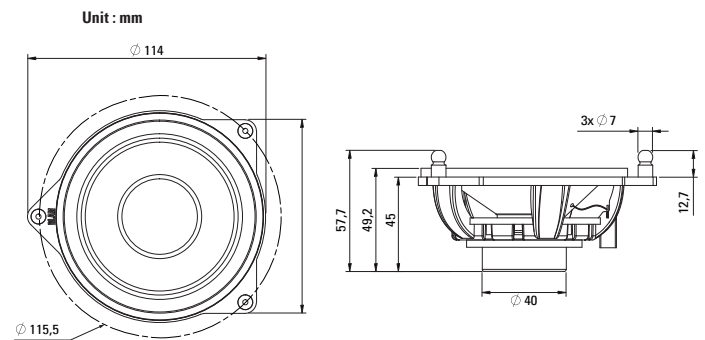
# 100 MN S

## Mercedes & Tesla speaker

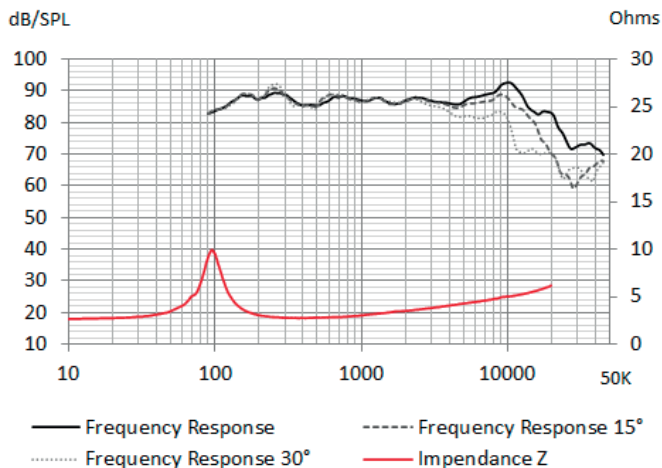
- 100 mm (4") speaker
- Max. power 80 W / Nominal Power 40 W
- Frequency response 90 Hz - 15 kHz
- Impedance 2 Ω

### TECHNICAL SPECIFICATIONS

Component	Speaker	
Max power	80 W	
Nominal power	40 W	
Impedance	2 Ω	
Freq. Response	80 Hz - 15 kHz	
Sensitivity (2,83V/1m)	91 dB	
Magnet	Neodymium	
Magnet size Ø x h	40 x 4 mm	1.575" x 0.157"
Total driver displacement	0.06 l	0.002 cf
Weight of one component	0.211 kg	0.465 lb
Voice coil Ø	25 mm	0.984"
Voice coil height	8.4 mm	0.331"
Cone	Fiber glass	



### FREQUENCY RESPONSE / IMPEDANCE



### THIELE-SMALL PARAMETERS

effective Ø (d)	85 mm
Sd	56.75 cm <sup>2</sup>
Xmax	3.45 mm
Re	2.0 Ω
Fs	88.87 Hz
Le	26.58 μH @ 1 kHz
L2	103.83 μH @ 10 kHz
Vas	2.33 L
Mms	6.23 g
Cms	0.000515 m/N
BL	2.81 Tm
Qts	0.72
Qes	0.92
Qms	3.26