

RELAX

200 RS

Woofer

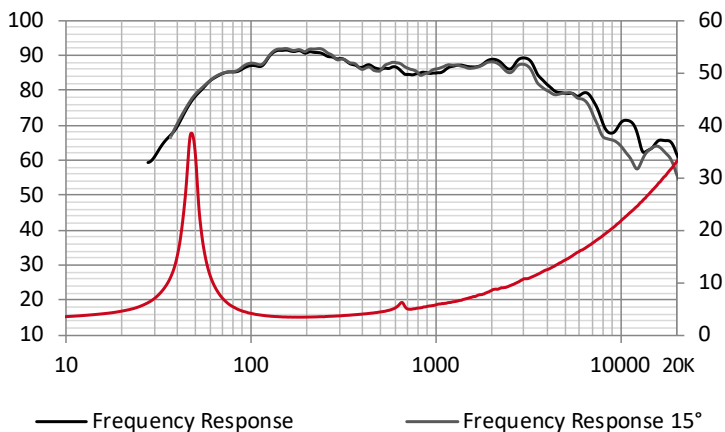
Hi-Efficiency 200 mm (8")
Woofer shallow special replacement of
OEM speaker

- Woofer 200mm (8")
- Max power 200 W / Nom. power 100 W
- Sensitivity (2.83V/1m) 92.4 dB
- Impedance 3 Ohms

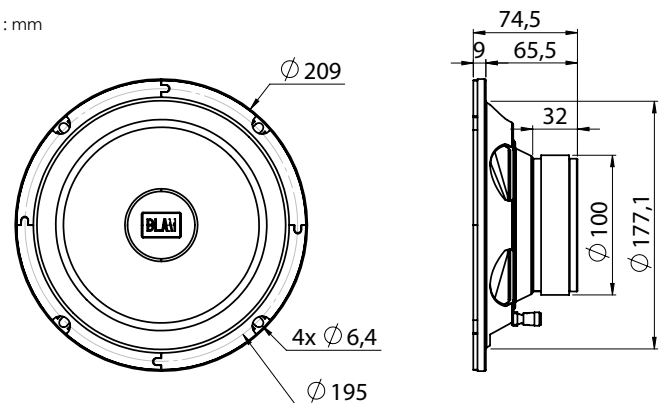
TECHNICAL SPECIFICATIONS

Component	Speakers	
Max power	200 W	
Nominal power	100 W	
Impedance	3 Ω	
Freq. Response	50 Hz - 3.5 KHz	
Sensitivity (2,83V/1m)	92.4 dB	
Magnet	Ferrite	
Magnet size Ø x h	80 x 15 mm	3.15" x 0.591"
Total driver displacement	0.8 l	0.028 cf
Weight of one component	1.81 kg	3.990 lb
Voice coil Ø	28 mm	1.102"
Voice coil height	11 mm	0.433"
Cone	Cellulose pulp	

FREQUENCY RESPONSE / IMPEDANCE



Unit : mm



THIELE-SMALL PARAMETERS

effective Ø (d)	165 mm
Sd	213.82 cm ²
Xmax	3 mm
Re	3 Ω
Fs	47.85 Hz
Le	152.32 µH @ 1 kHz
Le	450.47 µH @10 kHz
Vas	23.14 L
Mms	30.70 g
Cms	0.000360 m/N
BL	6.90 Tm
Qts	0.54
Qes	0.59
Qms	7.02
Sensitivity (dB/W/m)	88.2 dB

Guy Bonneville

BLAM
DRIVEN BY PASSION

R80

Mid-range

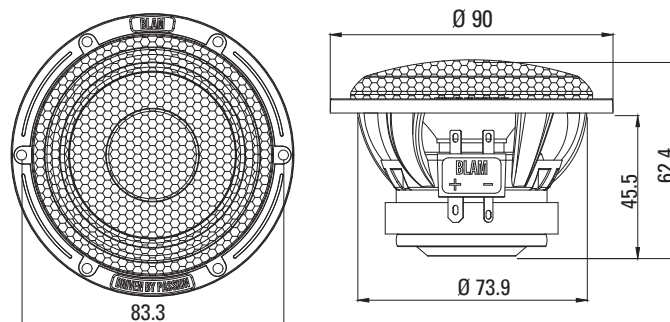
- 80 mm (3") mid-range
- Max. power 100 W / Nominal Power 50 W
- Frequency response 150 Hz - 23 kHz
- Impedance 3 Ω



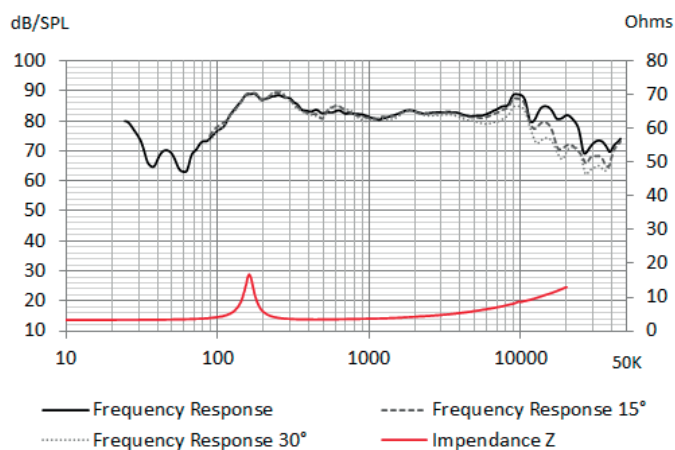
TECHNICAL SPECIFICATIONS

Component	Mid-range	
Max power	100 W	
Nominal power	50 W	
Impedance	3 Ω	
Freq. Response	150 Hz - 23 kHz	
Sensitivity (2,83V/1m)	86.5 dB	
Magnet	Ferrite	
Magnet size Ø x h	55 x 10 mm	2.165" x 0.394"
Total driver displacement	0.057 l	0.002 cf
Weight of one component	0.315 kg	0.694 lb
Voice coil Ø	20 mm	0.787"
Voice coil height	5.9 mm	0.232"
Cone	Cellulose pulp	

Unit : mm



FREQUENCY RESPONSE / IMPEDANCE



THIELE-SMALL PARAMETERS

effective Ø (d)	60 mm
Sd	55.42 cm ²
Xmax	1 mm
Re	3.15 Ω
Fs	161.64 Hz
Le	74.71 μH @ 1 kHz
L2	109.43 μH @ 10 kHz
Vas	0.46 L
Mms	2.37 g
Cms	0.000408 m/N
BL	2.1 Tm
Qts	1.39
Qes	1.72
Qms	7.30

RELAX

RT 20

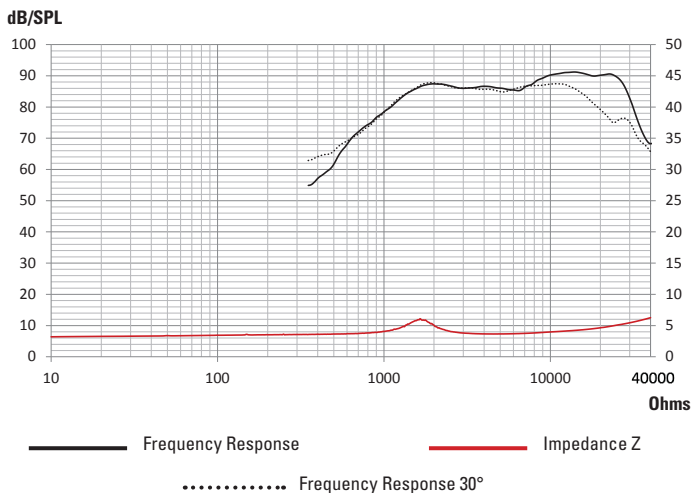
Tweeter

- Hi fidelity 20 mm soft dôme tweeter
- Hi efficiency magnet (N38H neodymium)
- Hi quality special soft dôme material
- Ferrofluid for hi power handling

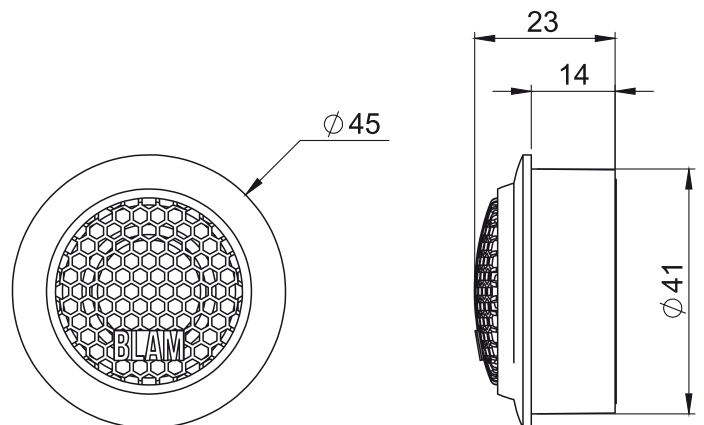
TECHNICAL SPECIFICATIONS

Component	Tweeter	
Max power	100 W	
Nominal power	10 W	
Impedance	3 Ω	
Freq. Response	2,5 KHz - 25 KHz	
Sensitivity (2,83V/1m)	90 dB	
Magnet	Neodymium	
Magnet size Ø x h	18 x 3 mm	0,709" x 0,118"
Total driver displacement	-	-
Weight of one component	0,045 kg	0,099 lb
Voice coil Ø	20 mm	0,787"
Voice coil height	2 mm	0,118"
Cone	Soft	

FREQUENCY RESPONSE / IMPEDANCE



Guy Bonneville
BLAM
DRIVEN BY PASSION



THIELE-SMALL PARAMETERS

effective Ø (d)	22 mm
Sd	3,80 cm ²
Xmax	-
Re	3 Ω
Fs	1651 Hz
Le	-
L2	-
Vas	-
Mms	-
Cms	-
BL	-
Qts	-
Qes	-
Qms	-
Sensitivity (dB/W/m)	86,7 dB

contact@blam-audio.fr
www.facebook.com/blamaudio
www.blam-audio.fr