

RELAX

Guy Bonneville

BLAM

DRIVEN BY PASSION

200 RS

Woofer

**Hi-Efficiency 200 mm (8")
Woofer shallow special replacement of
OEM speaker**

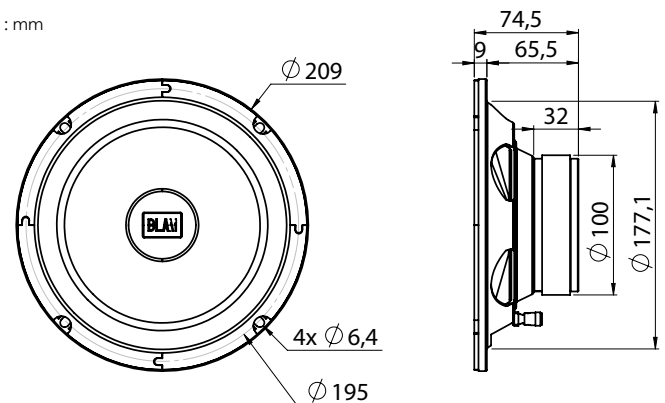
- Woofer 200mm (8")
- Max power 200 W / Nom. power 100 W
- Sensitivity (2.83V/1m) 92.4 dB
- Impedance 3 Ohms

TECHNICAL SPECIFICATIONS

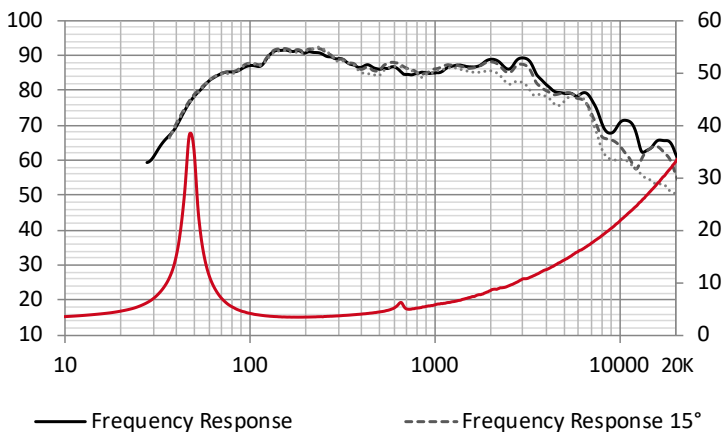
Component	Speakers	
Max power	200 W	
Nominal power	100 W	
Impedance	3 Ω	
Freq. Response	50 Hz - 3.5 KHz	
Sensitivity (2,83V/1m)	92.4 dB	
Magnet	Ferrite	
Magnet size Ø x h	80 x 15 mm	3.15" x 0.591"
Total driver displacement	0.8 l	0.028 cf
Weight of one component	1.81 kg	3.990 lb
Voice coil Ø	28 mm	1.102"
Voice coil height	11 mm	0.433"
Cone	Cellulose pulp	



Unit : mm



FREQUENCY RESPONSE / IMPEDANCE



THIELE-SMALL PARAMETERS

effective Ø (d)	165 mm
Sd	213.82 cm ²
Xmax	3 mm
Re	3 Ω
Fs	47.85 Hz
Le	152.32 µH @ 1 kHz
Le	450.47 µH @10 kHz
Vas	23.14 L
Mms	30.70 g
Cms	0.000360 m/N
BL	6.90 Tm
Qts	0.54
Qes	0.59
Qms	7.02
Sensitivity (dB/W/m)	88.2 dB

contact@blam-audio.fr

www.facebook.com/blamaudio

www.blam-audio.fr