

# LIVE

Guy Bonneville  
**BLAM**  
DRIVEN BY PASSION

## LSP 25

### Subwoofer

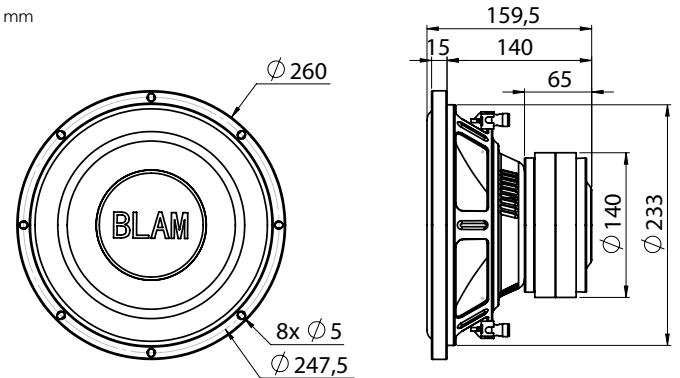
250 mm (10") subwoofer  
Dual voice coil

- Max. power 600 W / Nominal Power 300 W
- Frequency response 30 Hz - 500 Hz
- Sensitivity 89.7 dB
- Impedance 4 Ω (2 x 2 Ω)

Steel basket - Injected polypropylene cone - Foam surround - Long life "Conex" damper - 60 mm (2.4") dual voice coil on aluminium former - Dual 140 mm x 20 mm (5.5" x 0.8") motor assembly - Extended T yoke.



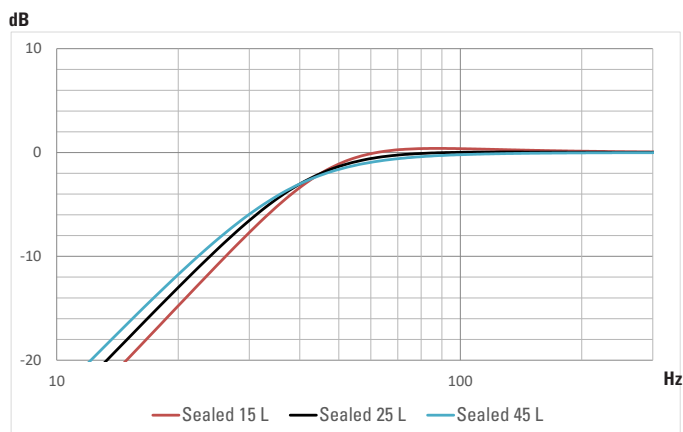
Unit : mm



#### TECHNICAL SPECIFICATIONS

<b>Component</b>	Subwoofer	
<b>Max power</b>	600 W	
<b>Nominal power</b>	300 W	
<b>Impedance</b>	2 x 2 Ω	
<b>Freq. Response</b>	30 - 500 Hz	
<b>Sensitivity (2,83V/1m)</b>	89.7 dB	
<b>Magnet</b>	Ferrite	
<b>Magnet size Ø x h</b>	2 x 140 x 20 mm	5.512" x 0.787"
<b>Total driver displacement</b>	1.1 l	0.039 cf
<b>Weight of one component</b>	5.8 kg	12.787 lb
<b>Voice coil Ø</b>	60 mm	2.362"
<b>Voice coil height</b>	32.6 mm	1.283"
<b>Cone</b>	Textured PP	

#### FREQUENCY RESPONSE / IMPEDANCE



#### THIELE-SMALL PARAMETERS

<b>effective Ø (d)</b>	205 mm
<b>Sd</b>	330.06 cm <sup>2</sup>
<b>Xmax</b>	11 mm
<b>Re</b>	1.2 Ω
<b>Fs</b>	32.36 Hz
<b>Le</b>	287.20 µH @ 1 kHz
<b>Le</b>	1051.97 µH @10 kHz
<b>Vas</b>	17.57 L
<b>Mms</b>	210.66 g
<b>Cms</b>	0.000114 m/N
<b>BL</b>	9.33 Tm
<b>Qts</b>	0.57
<b>Qes</b>	0.62
<b>Qms</b>	7.4
<b>Sensitivity (dB/W/m)</b>	81.7 dB

#### RECOMMENDED ENCLOSURES

<b>Internal volume Vb</b>	<b>F-3dB</b>	<b>Boost</b>
15 L	42 Hz	0.4 dB at 88Hz
25 L	41 Hz	no boost
45 L	41 Hz	no boost

contact@blam-audio.fr  
www.facebook.com/blamaudio

www.blam-audio.com