

# LIVE

Guy Bonneville

# BLAM

DRIVEN BY PASSION

## LW 165 S

### Woofers

- Woofer 6-1/2" (165 mm)
- Max power 140 W / Nom. power 70 W
- Frequency response 55 Hz - 5 KHz
- Impedance 3 Ohms

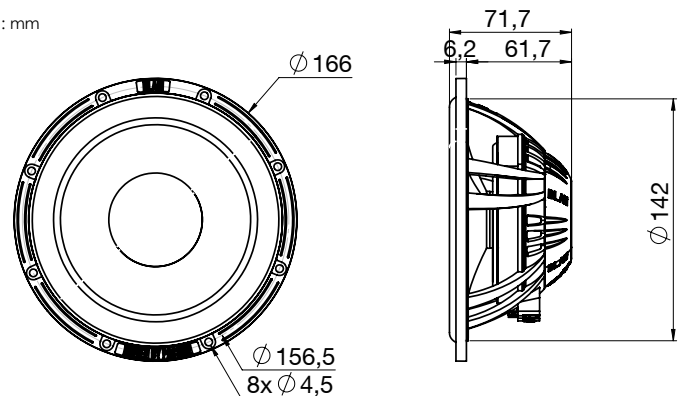
Machined cast aluminium basket - Epoxy resin and glass fiber cone - Butyl rubber surround - Long life "Conex" damper - 32 mm (1.26") voice coil with kapton former - 31 mm x 8 mm (1.2" x 0.3") neodymium motor.



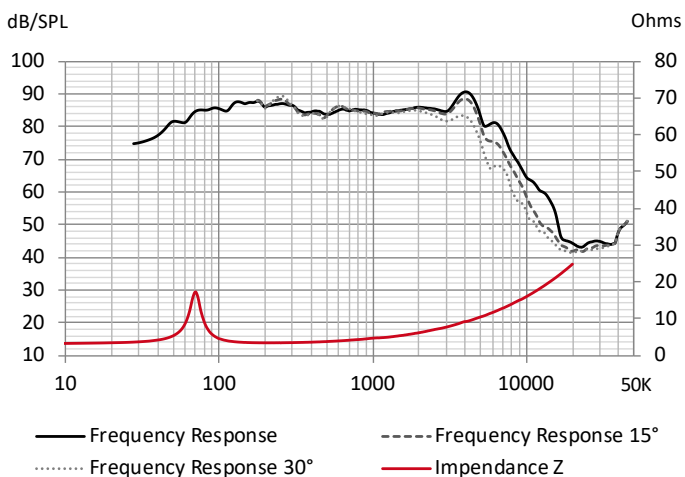
### TECHNICAL SPECIFICATIONS

<b>Component</b>	Woofer	
<b>Max power</b>	140 W	
<b>Nominal power</b>	70 W	
<b>Impedance</b>	3 Ω	
<b>Freq. Response</b>	55 Hz - 5 KHz	
<b>Sensitivity (2,83V/1m)</b>	90.6 dB	
<b>Magnet</b>	Neodymium	
<b>Magnet size Ø x h</b>	45 x 29 mm	1.772 "x 1.142 "
<b>Total driver displacement</b>	0.3 l	0.011 cf
<b>Weight of one component</b>	0.9 kg	1.984 lb
<b>Voice coil Ø</b>	32 mm	1.260"
<b>Voice coil height</b>	15 mm	0.591"
<b>Cone</b>	Glass fiber	

Unit : mm



### FREQUENCY RESPONSE / IMPEDANCE



### THIELE-SMALL PARAMETERS

<b>effective Ø (d)</b>	130 mm
<b>Sd</b>	132.73 cm <sup>2</sup>
<b>Xmax</b>	3 mm
<b>Re</b>	2.89 Ω
<b>Fs</b>	70.65 Hz
<b>Le</b>	146.76 µH @ 1 kHz
<b>Le</b>	267.60 µH @10 kHz
<b>Vas</b>	9.06 L
<b>Mms</b>	13.86 g
<b>Cms</b>	0.000366 m/N
<b>BL</b>	3.87 Tm
<b>Qts</b>	0.99
<b>Qes</b>	1.19
<b>Qms</b>	5.92
<b>Sensitivity (dB/W/m)</b>	86.2 dB

contact@blam-audio.fr

www.facebook.com/blamaudio

www.blam-audio.com