

RELAX

SR 690

Woofer

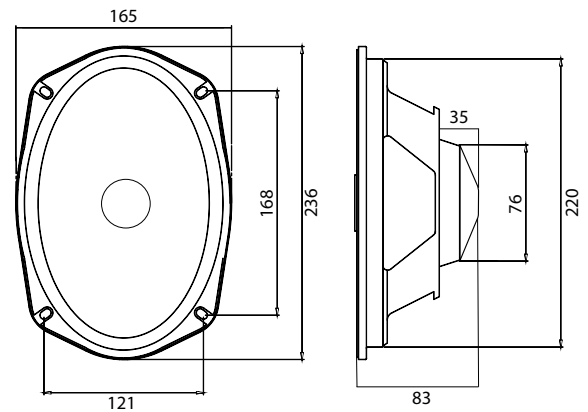
- 6" x 9" woofer
- Integrated 6dB low pass crossover
- Frequency response 60 Hz - 5 kHz
- Power handling Max : 150W Nominal Power : 75W (RMS)
- Sensitivity 93 dB
- Impedance 3 Ω



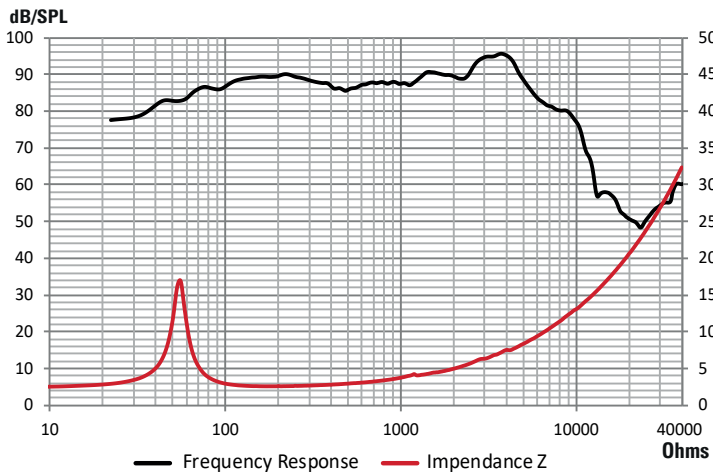
TECHNICAL SPECIFICATIONS

Component	Speakers	
Max power	150 W	
Nominal power	75 W	
Impedance	3 Ω	
Freq. Response	60 Hz - 6 KHz	
Sensitivity (2,83V/1m)	90.6 dB	
Magnet	Neodymium	
Magnet size \varnothing x h	76 x 23 mm	2.99" x 0.90"
Total driver displacement	0,3l	0,011 cf
Weight of one component	0.77 kg	1.7 lb
Voice coil \varnothing	25 mm	0,984"
Voice coil height	11 mm	0,433"
Cone	Coated cellulose pulp	

Unit : mm



FREQUENCY RESPONSE / IMPEDANCE



THIELE-SMALL PARAMETERS

effective \varnothing (d)	164,6 mm
Sd	212,79 cm ²
Xmax	3 mm
Re	3.1 Ω
Fs	62.26 Hz
Le	0.25 μ H @ 1 kHz
Le	0.14 μ H @ 10 kHz
Vas	20.8 L
Mms	19.86 g
Cms	0.329 m/N
BL	3.65 Tm
Qts	1.33
Qes	1.8
Qms	5.04
Sensitivity (dB/W/m)	86.4 dB

contact@blam-audio.fr
www.facebook.com/blamaudio

www.blam-audio.fr

LIVE

SR 52

High resolution speaker

- Full-range driver 2" (50mm)
- Max. power: 50 W / Nom. power: 25 W
- Frequency response 250 Hz - 25 KHz
- Impedance 4 Ohms

Optimized for sealed enclosure volume from 250 mL to 500 mL
Minimal required cut off frequency : 250 Hz 12 dB/octave

BLAM

FRENCH SOUND

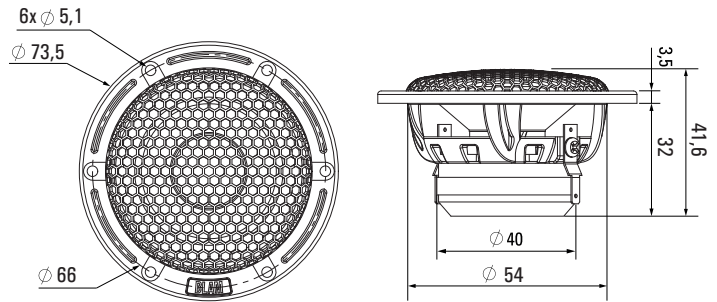
Driven by passion.



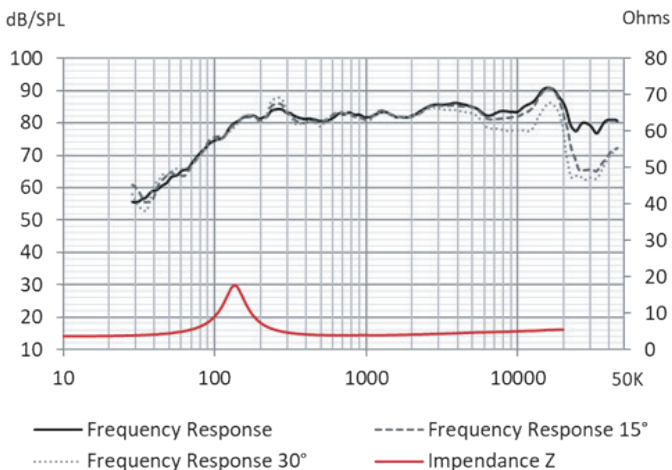
TECHNICAL SPECIFICATIONS

Component	Full-range	
Max power	50 W	
Nominal power	25 W	
Impedance	4 Ω	
Freq. Response	250 Hz - 25 KHz	
Sensitivity (2,83V/1m)	86 dB	
Magnet	Neodymium	
Magnet size Ø x h	40 x 5 mm	1.575" x 0.196"
Total driver displacement	0.02 l	0.01 cf
Weight of one component	0.165 kg	0.364 lb
Voice coil Ø	20 mm	0.803"
Voice coil height	3.5 mm	0.138"
Cone	Honeycomb Sandwich	

Unit in mm



FREQUENCY RESPONSE / IMPEDANCE



THIELE-SMALL PARAMETERS

effective Ø (d)	47 mm
Sd	17.35 cm ²
Xmax	-1 mm
Re	3.72 Ω
Fs	135.88 Hz
Le	16.13 μH @1 kHz
L2	68.02 μH @10 kHz
Vas	0.39 L
Mms	1.50 g
Cms	0.916015 m/N
BL	2.41 Tm
Qts	0.64
Qes	0.82
Qms	2.85
Sensitivity (dB/W/m)	82.6 dB

contact@blam-audio.fr
www.facebook.com/blamaudio
www.blam-audio.com