

# LIVE

## LT 25

Tweeter

- 25 mm (1")
- High quality soft dome tweeter
- N38 neodymium motor

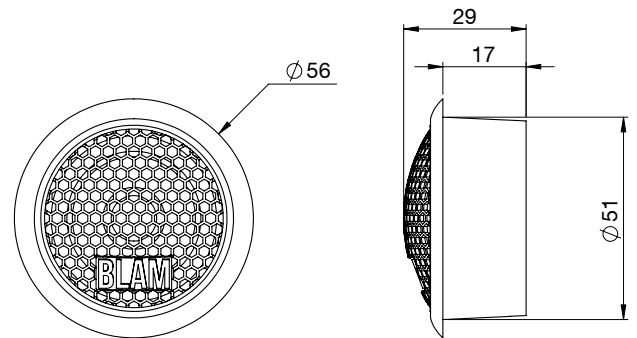
Guy Bonneville  
**BLAM**  
DRIVEN BY PASSION



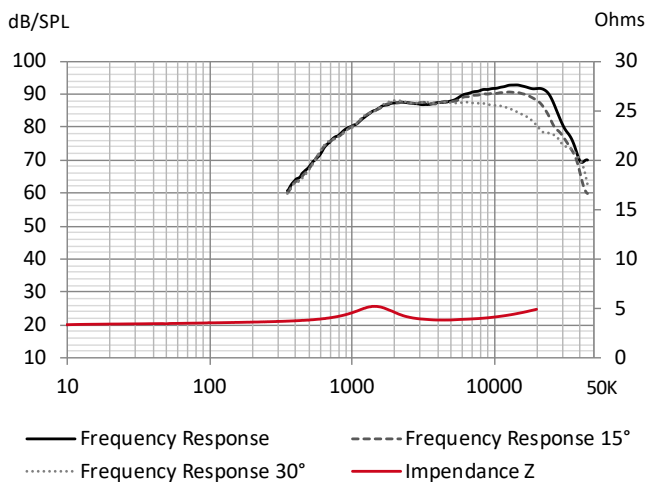
### TECHNICAL SPECIFICATIONS

<b>Component</b>	Tweeter	
<b>Max power</b>	100 W	
<b>Nominal power</b>	15 W	
<b>Impedance</b>	3 Ω	
<b>Freq. Response</b>	2.5 KHz - 25 KHz	
<b>Sensitivity (2,83V/1m)</b>	91.6 dB	
<b>Magnet</b>	Neodymium	
<b>Magnet size Ø x h</b>	18 x 3 mm	0.709 "x 0.118 "
<b>Total driver displacement</b>	-	-
<b>Weight of one component</b>	0.096 kg	0.212 lb
<b>Voice coil Ø</b>	25 mm	0.984"
<b>Voice coil height</b>	2 mm	0.079"
<b>Cone</b>	Soft	

Unit : mm



### FREQUENCY RESPONSE / IMPEDANCE



### THIELE-SMALL PARAMETERS

<b>effective Ø (d)</b>	26 mm
<b>Sd</b>	5.31 cm <sup>2</sup>
<b>Xmax</b>	-
<b>Re</b>	3.18 Ω
<b>Fs</b>	1501 Hz
<b>Le</b>	-
<b>L2</b>	-
<b>Vas</b>	-
<b>Mms</b>	-
<b>Cms</b>	-
<b>BL</b>	-
<b>Qts</b>	-
<b>Qes</b>	-
<b>Qms</b>	-
<b>Sensitivity (dB/W/m)</b>	87.6 dB

# LIVE

Guy Bonneville

# BLAM

DRIVEN BY PASSION

## LW 165 P

### Woofer

- Woofer 6-1/2" (165 mm)
- Max power 180 W / Nom. power 90 W
- Frequency response 50 Hz - 8 KHz
- Impedance 3 Ohms

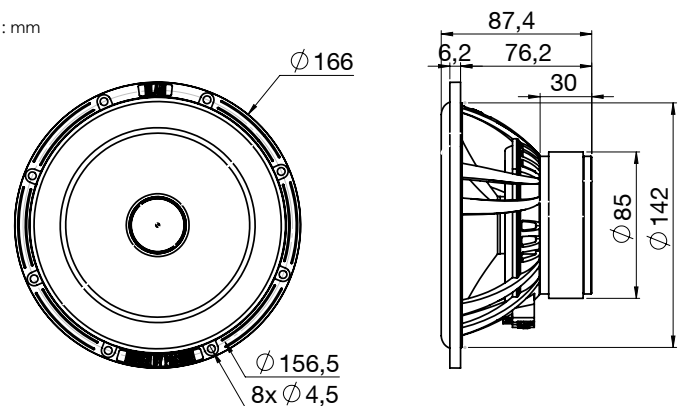
Machined cast aluminium basket - Epoxy resin and glass fiber cone - Butyl rubber surround - Long life "Conex" damper - 32 mm (1.26") voice coil with kapton former - 85 mm x 20 mm (3.3" x 0.8") motor assembly - Thick magnetic circuit (5 mm).



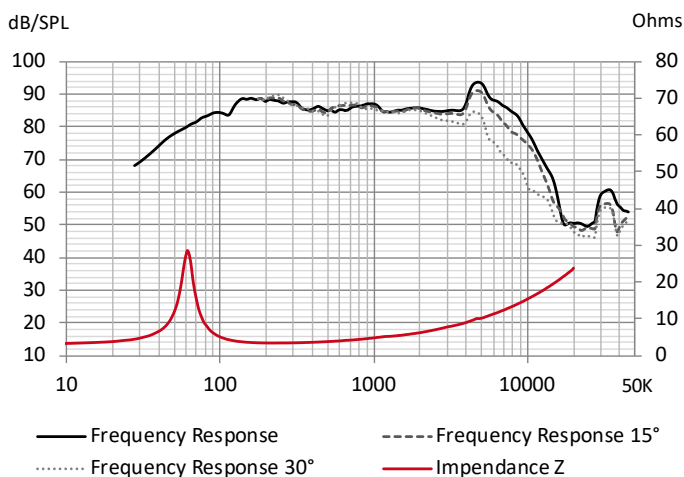
### TECHNICAL SPECIFICATIONS

<b>Component</b>	Woofer	
<b>Max power</b>	180 W	
<b>Nominal power</b>	90 W	
<b>Impedance</b>	3 Ω	
<b>Freq. Response</b>	50 Hz - 8 KHz	
<b>Sensitivity (2,83V/1m)</b>	91.7 dB	
<b>Magnet</b>	Ferrite	
<b>Magnet size Ø x h</b>	85 x 20 mm	3.346 "x 0.787 "
<b>Total driver displacement</b>	0.35 l	0.012 cf
<b>Weight of one component</b>	1.2 kg	2.646 lb
<b>Voice coil Ø</b>	32 mm	1.260"
<b>Voice coil height</b>	15 mm	0.591"
<b>Cone</b>	Glass fiber	

Unit : mm



### FREQUENCY RESPONSE / IMPEDANCE



### THIELE-SMALL PARAMETERS

<b>effective Ø (d)</b>	130 mm
<b>Sd</b>	132.73 cm <sup>2</sup>
<b>Xmax</b>	5 mm
<b>Re</b>	3 Ω
<b>Fs</b>	62.23 Hz
<b>Le</b>	142.67 µH @ 1 kHz
<b>Le</b>	294.07 µH @10 kHz
<b>Vas</b>	10.01 L
<b>Mms</b>	16.16 g
<b>Cms</b>	0.000404 m/N
<b>BL</b>	5.33 Tm
<b>Qts</b>	0.60
<b>Qes</b>	0.67
<b>Qms</b>	5.88
<b>Sensitivity (dB/W/m)</b>	87.4 dB

contact@blam-audio.fr

www.facebook.com/blamaudio

www.blam-audio.com