

# Signature

Guy Bonneville

**BLAM**  
DRIVEN BY PASSION

## MS 3.55

High-efficiency midrange driver

- Extended frequency, can be use as full range
- Frequency Response 200 Hz - 27 KHz

Recommended enclosure

0,3 litres

1,9 litres

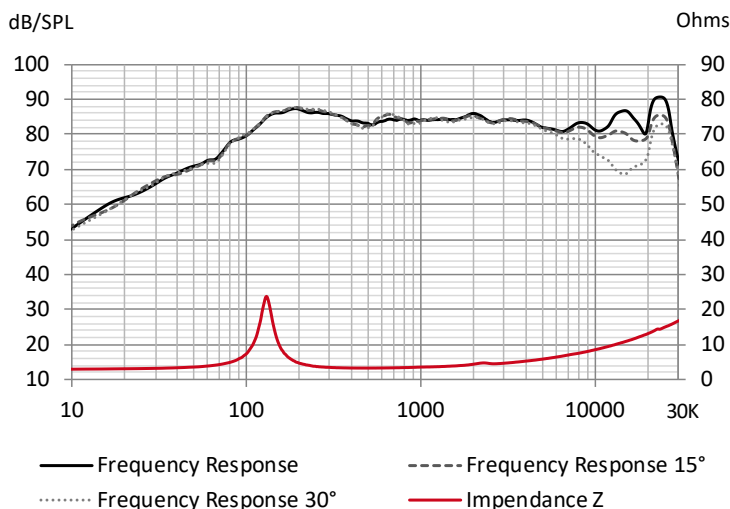
Die cast aluminium basket - Ultra rigid carbon fiber cone - NBR surround - Long life « conex » spider - 20 mm Voice Coil, fiber glass former - 55 mm x 10 mm Oversized Magnetic motor - Machined aluminum phase plug - Gold-plated terminal.



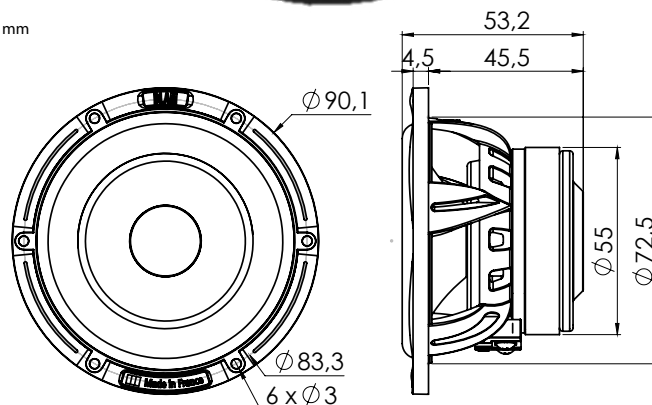
### TECHNICAL SPECIFICATIONS

<b>Component</b>	Midrange	
<b>Max power</b>	100 W	
<b>Nominal power</b>	25 W	
<b>Impedance</b>	3 Ω	
<b>Freq. Response</b>	200 Hz - 27 KHz	
<b>Sensitivity (2,83V/1m)</b>	88 dB	
<b>Magnet</b>	Ferrite	
<b>Magnet size Ø x h</b>	55 x 10 mm	2,165" x 0,394"
<b>Total driver displacement</b>	0,060 l	0,002 cf
<b>Weight of one component</b>	0,326 kg	0,723 lb
<b>Voice coil Ø</b>	20 mm	0,787"
<b>Voice coil height</b>	6 mm	0,236"
<b>Cone</b>	Carbon fiber	

### FREQUENCY RESPONSE / IMPEDANCE



Unit : mm



### THIELE-SMALL PARAMETERS

<b>effective Ø (d)</b>	61 mm
<b>Sd</b>	29,22 cm <sup>2</sup>
<b>Xmax</b>	1 mm
<b>Re</b>	3 Ω
<b>Fs</b>	129,93 Hz
<b>Le</b>	58,18 µH @ 1 kHz
<b>LZ</b>	134,68 µH @10 kHz
<b>Vas</b>	0,80 L
<b>Mms</b>	2,24 g
<b>Cms</b>	0,000671 m/N
<b>BL</b>	2,40 Tm
<b>Qts</b>	0,89
<b>Qes</b>	1,04
<b>Qms</b>	6,41
<b>Sensitivity (dB/W/m)</b>	83,8 dB

### RECOMMENDED ENCLOSURES

Internal volume Vb	Resonance frequency	Qtc	F-3dB	Boost
0,3 L	248	1,713	171 Hz	5,0 dB at 270 Hz
1,9 L	155	1,067	119 Hz	1.6 dB at 207 Hz

contact@blam-audio.fr  
[www.facebook.com/blamaudio](http://www.facebook.com/blamaudio)  
[www.blam-audio.com](http://www.blam-audio.com)