

Signature

Guy Bonneville

BLAM
DRIVEN BY PASSION

WS 6.80

High sensitivity speaker

- Woofer 6-1/2" (165 mm)
- Max power 120 W / Nom. power 60 W
- Frequency response 60 Hz - 7 KHz
- Impedance 2 Ohms

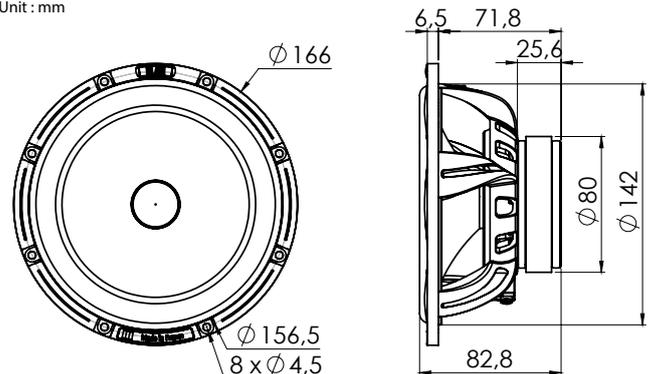
Die cast aluminum basket - Ultra rigid carbon fiber cone - IIR surround - Long life « conex » spider - 28 mm Voice Coil, fiber glass former - 80 mm x 15 mm Magnetic motor - Machined pole pieces - Gold-plated terminal.



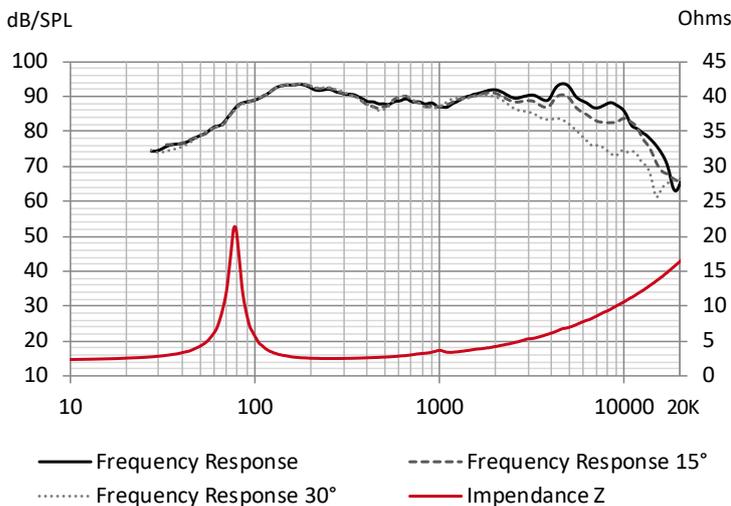
TECHNICAL SPECIFICATIONS

Component	Speaker	
Max power	120 W	
Nominal power	60 W	
Impedance	2 Ω	
Freq. Response	60 Hz - 7 KHz	
Sensitivity (2,83V/1m)	94,3 dB	
Magnet	Ferrite	
Magnet size Ø x h	80 x 15 mm	3,150" x 0,591"
Total driver displacement	0,3 l	0,011 cf
Weight of one component	1 kg	2,205 lb
Voice coil Ø	28 mm	1,102"
Voice coil height	12 mm	0,472"
Cone	Carbon fiber	

Unit : mm



FREQUENCY RESPONSE / IMPEDANCE



THIELE-SMALL PARAMETERS

effective Ø (d)	128 mm
Sd	128,68 cm ²
Xmax	4 mm
Re	2,1 Ω
Fs	80,41 Hz
Le	80,24 µH @ 1 kHz
L2	209,66 µH @10 kHz
Vas	8,84 L
Mms	10,31 g
Cms	0,000380 m/N
BL	3,69 Tm
Qts	0,81
Qes	0,90
Qms	7,45
Sensitivity (dB/W/m)	88,5 dB

contact@blam-audio.fr

www.facebook.com/blamaudio

www.blam-audio.com