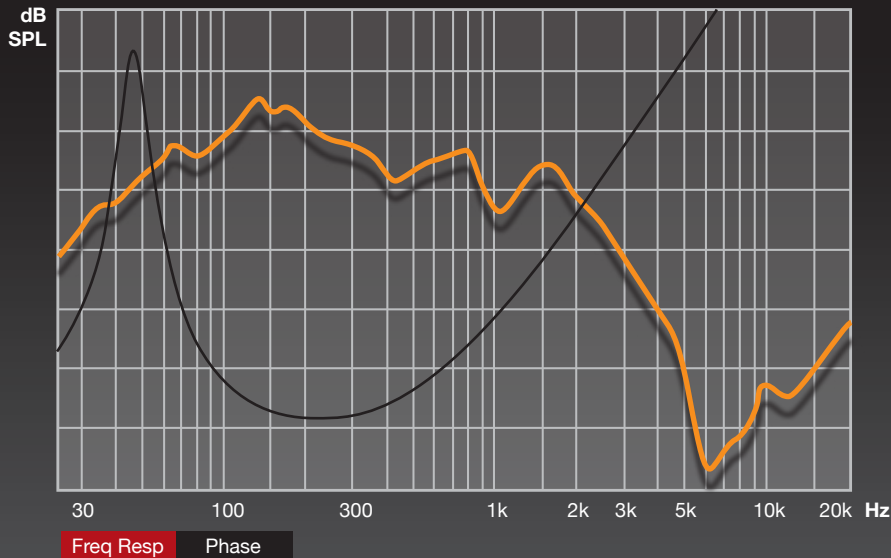
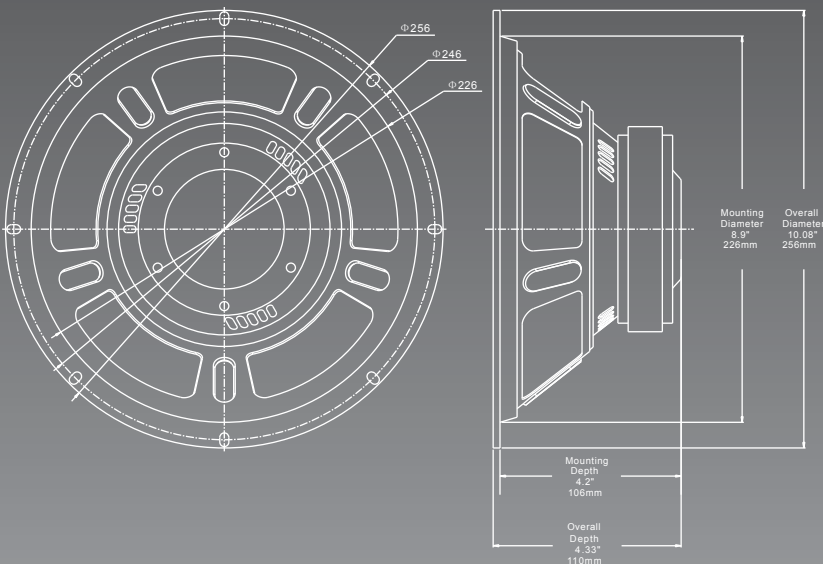




# CW103-S4



# 10"



## TS PARAMETERS

**FO:** 38.138 Hz  
**QMS:** 5.529  
**QES:** 0.728  
**QTS:** 0.643  
**LEVC:** 1.018 uH  
**CMS:** 242.526 uM/N  
**MMS:** 71.807 gr  
**MMD:** 68.100 gr  
**NO:** .305 %  
**BL:** 9.227 T/M  
**SPL:** 94 dB  
**VAS:** 41.314 L  
**RE:** 3.6 Ohm  
**SD:** 346.360 cm

# 4 Ohm 1000 Watts

## SPECIFICATIONS

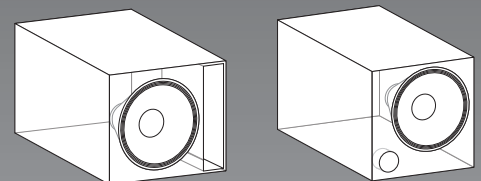
**Application:** Subwoofer

**Basket Type:** Steel  
**Cone:** Black Polypropylene  
**Dust Cap:** Vacuum Molded Plastic  
**Surround Style:** Rubber Surround  
**Structure Weight:** 1.9lbs  
**2" ASV Voice Coil**

**Impedance:** 4 ohm  
**RMS / Peak Watts:** 250 / 1000  
**Frequency Response:** 35Hz - 1.5KHz  
**SPL @ 1w/1m:** 94dB

### ENCLOSURE STYLE:

FLATEST RESPONSE (1.5cu ft)	SIZE H x W x L
Enclosure Dim.	14" x 14" x 18" (355.6 x 355.6 x 457.2)
Slot Port	12.5" x 1.5" x 11.18" (317.5 x 38.1 x 284)
Circular Port	4" (circle) x 8.1" (L) (101.6 x 205.74)
System Gain	+5.3 dB/61 Hz
F-3	37 Hz
Tuning Frequency	45 Hz



## Cadence Acoustics

6519 Highway 9 North • Howell, NJ 07731  
 800.477.2328 • 732.370.5400 • fax: 732.370.5553  
 cadence@cadencesound.com • www.cadencesound.com

