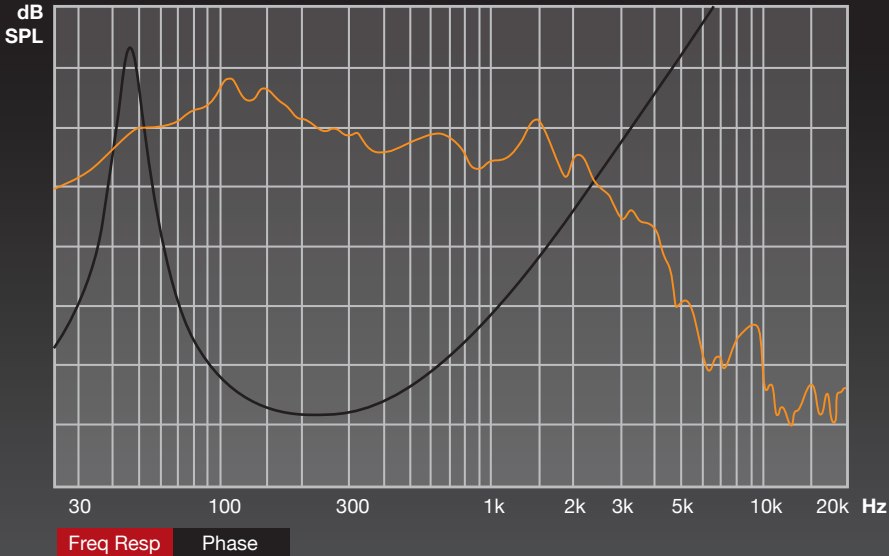




# CW123-S4



## TS PARAMETERS

**FO:** 37 Hz      **MMD:** 68.100 gr  
**QMS:** 1.80      **NO:** .54 %  
**QES:** 0.540      **BL:** 13.3 T/M  
**QTS:** 0.410      **SPL:** 94 dB  
**LEVC:** 0.600 mH      **VAS:** 59.5 L  
**CMS:** .160 mm/N      **RE:** 3.6 Ohm  
**MMS:** 113.807 gr      **LP:** 28.6 mH

# 4 Ohm 1200 Watts

## SPECIFICATIONS

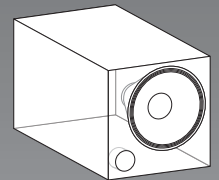
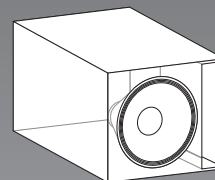
**Application:** Subwoofer

**Basket Type:** Steel  
**Cone:** Black Polypropylene  
**Dust Cap:** Vacuum Molded Plastic  
**Surround Style:** Rubber Surround  
**Structure Weight:** 2.2lbs  
**2" ASV Voice Coil**

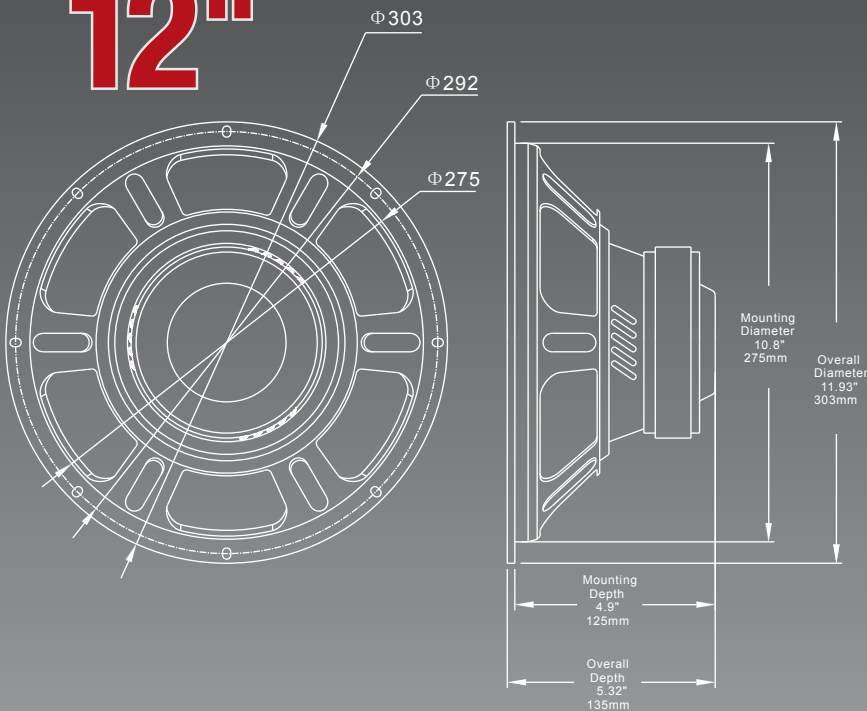
**Impedance:** 4 ohm  
**RMS / Peak Watts:** 300 / 1200  
**Frequency Response:** 30Hz - 1.5KHz  
**SPL @ 1w/1m:** 94dB  
**Sealed Enclosure Size:** 0 - 0Cu Ft

### ENCLOSURE STYLE:

FLATEST RESPONSE (3cu ft)	SIZE H x W x L
<b>Enclosure Dim.</b>	16" x 16" x 18" (406.4 x 406.4 x 457.2)
<b>Slot Port</b>	14.5" x 2" x 11" (368.3 x 50.8 x 279.4)
<b>Circular Port</b>	4" (circle) x 12"(L) (101.6 x 304.8)
<b>System Gain</b>	+3 dB/60 Hz
<b>F-3</b>	39 Hz
<b>Tuning Frequency</b>	45 Hz



# 12"



## Cadence Acoustics

6519 Highway 9 North • Howell, NJ 07731  
 800.477.2328 • 732.370.5400 • fax: 732.370.5553  
 cadence@cadencesound.com • www.cadencesound.com

