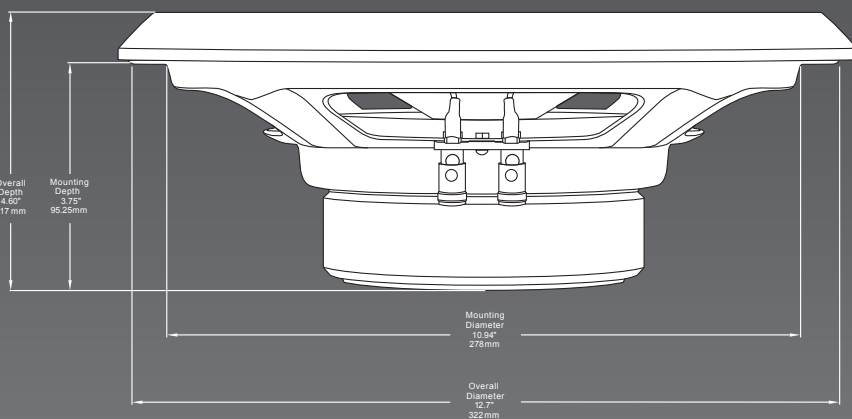
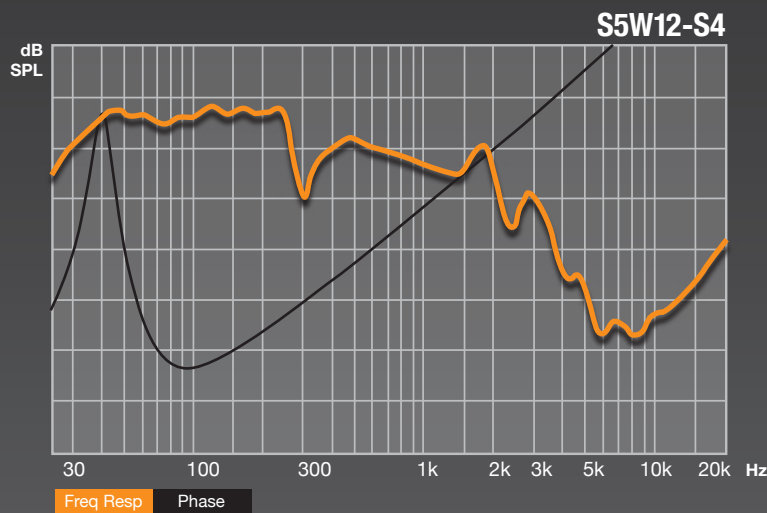
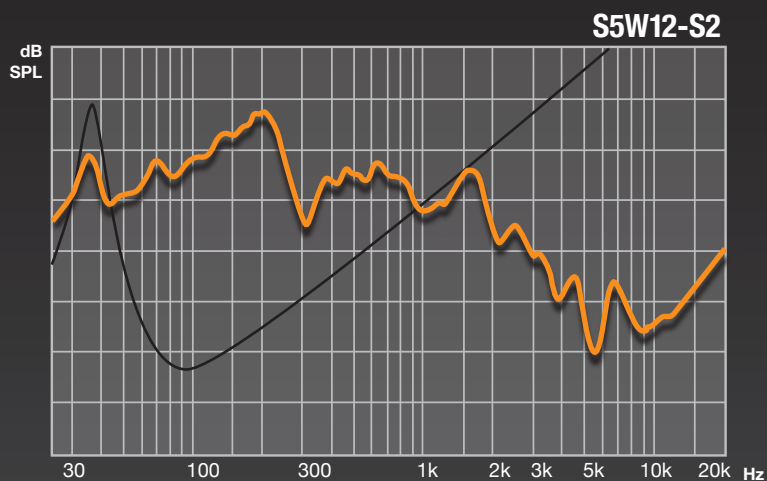


# CADENCE



## 2 / 4 Ohm 500 Watts 12 in



### TS PARAMETERS

#### S5W12-S2

**FO:** 29.9 Hz  
**QMS:** 4.533  
**QES:** 0.418  
**QTS:** 0.383  
**CMS:** 205.474 mm/N  
**MMS:** 137.899 gr  
**BL:** 10.558 T/M  
**SPL:** 88 dB  
**VAS:** 72.582 L  
**RE:** 1.8 Ohm  
**SD:** 498.76 cm  
**XMAX:** 4.95

#### S5W12-S4

**FO:** 33.86 Hz  
**QMS:** 5.124  
**QES:** 0.625  
**QTS:** 0.557  
**CMS:** 159.91 uM/N  
**MMS:** 138.149 gr  
**BL:** 12.265 T/M  
**SPL:** 93 dB  
**VAS:** 56.487 L  
**RE:** 3.2 Ohm  
**SD:** 498.76 cm  
**XMAX:** 5.35

### SPECIFICATIONS

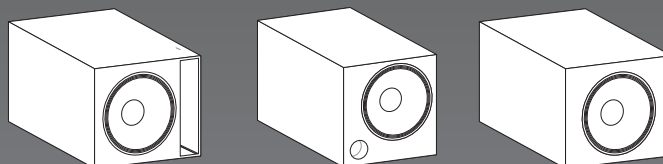
**Application:** Subwoofer

**Basket Type:** Rolled Steel  
**Cone:** Ultra-Stiff Paper Composite  
**Dust Cap:** 3D Molded High Gloss Acrylic  
**Surround Style:** Laminated Butyl Rubber  
**Magnet Weight:** 3.125 lbs  
**2" Single 2 or 4 ohm ASV Voice Coil**

**Impedance:** 2 or 4 ohm  
**RMS / Peak Watts:** 250 / 500  
**Frequency Response:** 31 Hz - 500 Hz  
**SPL @ 1w/1m:** 93dB

#### ENCLOSURE STYLE:

VENTED (.75cu ft)	SIZE H x W x L
Enclosure Dim.	15.5" x 20" x 8" (355.6 x 355.6 x 203.2)
Slot Port	2" x 4" x 8.24" (50.8 x 101.6 x 209.3)
Circular Port	4" x 13.62" (101.6 x 343)
System Gain	+4.86 dB/71 Hz
F-3	39 Hz
Tuning Frequency	60 Hz
SEALED (.75-1.5 cu ft)	SIZE H x W x L
Enclosure Dim.	15.5" x 20" x 8" (355.6 x 355.6 x 393.7)



### Cadence Acoustics

6519 Highway 9 North • Howell, NJ 07731  
 800.477.2328 • 732.370.5400 • fax: 732.370.5553  
 cadence@cadencesound.com • www.cadencesound.com

