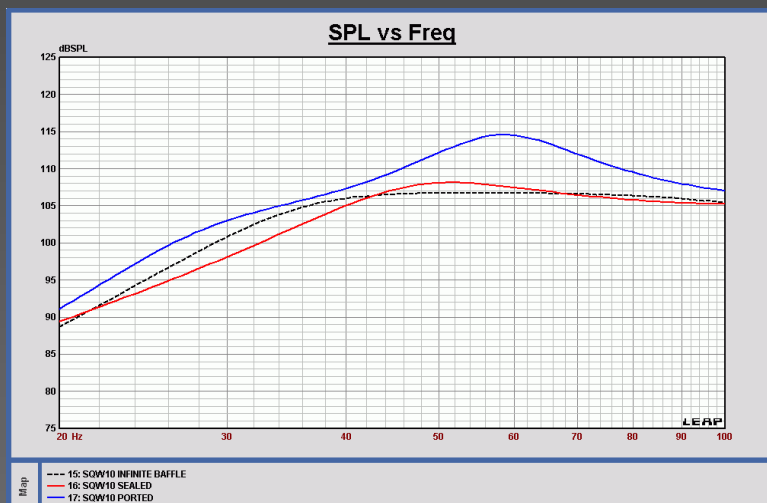


# CADENCE

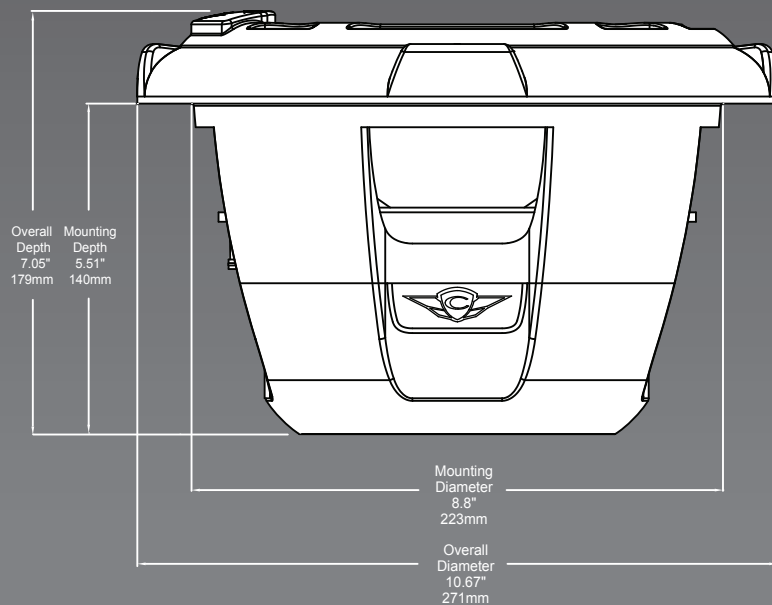
# SEAQUA

4 Ohm  
300 Watt **10 in**

SQW10W/SQW10B



250 Watt Predicted Output Level Graphs



## TS PARAMETERS

### SQW10W/SQW10B

<b>FO:</b> 36.038 Hz	<b>NO:</b> 0.162%
<b>QMS:</b> 3.823	<b>BL:</b> 7.756 T/M
<b>QES:</b> 1.100	<b>SPL:</b> 86 dB
<b>QTS:</b> 0.854	<b>VAS:</b> 39.45 L
<b>CMS:</b> 240.342 uM/N	<b>RE:</b> 3.6 Ohm
<b>MMS:</b> 81.151 gr	<b>SD:</b> 340 cm <sup>2</sup>
<b>MMD:</b> 77.546 gr	<b>XMAX:</b> 8 mm

## SPECIFICATIONS

Application: Marine Subwoofer

**Basket Type:** Plastic  
**Cone:** Poly Injection  
**Dust Cap:** Poly Injection  
**Surround Style:** Butyl Rubber  
**Structure Weight:** 65 Oz  
**1.5" High Temperature Voice Coil**

**Impedance:** 4 ohm  
**300 Watt Continuous / 600 Watts Peak**  
**Recommended Amplifier Power 75 to 300 Watts RMS**  
**Frequency Response:** 30 Hz - 500 Hz  
**SPL @ 1w/1m:** 86dB

### Recommended Enclosures

#### Free Air/ Infinite Baffle

**VENTED** (2.0cu ft)

**Enclosure Dim.**

**Round Port**

**Tuning  
Frequency**

**SEALED**  
(2.0 cu ft recommended  
1.0 cu ft min)  
**Enclosure Dim.**

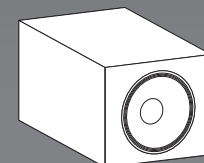
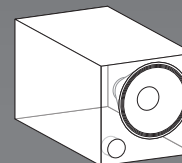
**SIZE  
L x W x H**

16" x 16" x 18.75"  
(406.4 x 406.4 x 476.3mm)

4" x 5.3"  
(101.6 x 134.6mm)

40 Hz

16" x 16" x 18"  
(406.4x 406.4 x 457.2mm)



## Cadence Acoustics Ltd.

859 Lawson St. City of Industry, CA 91748  
800.477.2328 • 626.465.3383 • Fax: 626-470-6111 • www.cadencesound.com

