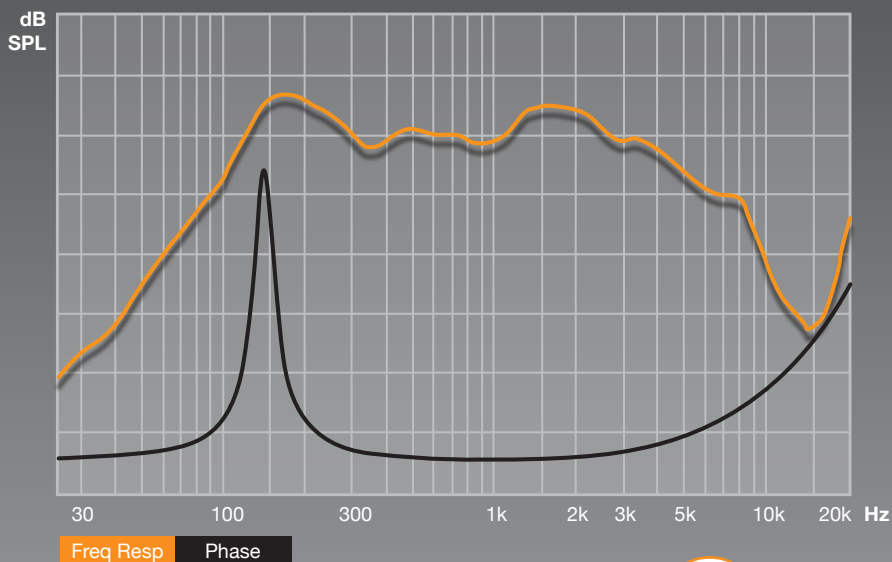


# CADENCE

## XENITH XM 84HCi



# 8 in



### TS PARAMETERS

**FMS:** 123.9 Hz      **BL:** 7.5  
**QMS:** 7.62        **SPL:** 103 dB  
**QES:** 1.29        **VAS:** 3.8 l  
**QTS:** 1.10        **RE:** 3.4 Ohm  
**RES:** 16.7 Ohm    **RP:** 11.7 Ohm  
**RMS:** 2.8 kg/s     **LP:** 3.4 mH  
**CMS:** 0.06 mm/N   **CP:** 652.4 uF  
**MMS:** 27.6 gr      **LE:** 0.3 mH  
**NREF:** 0.54 %

# 4 Ohm 250 Watts

### SPECIFICATIONS

**Application:** High Compression

**Basket Type:** Open Basket

**Dust Cap:** Bullet

**Surround Style:** Flat Foam

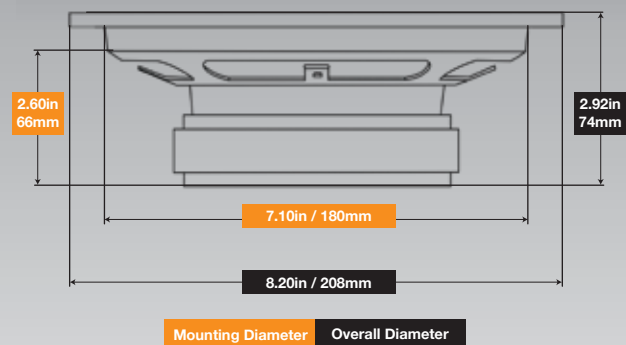
**Structure Weight:** 60 oz.

**Impedance:** 4 Ohm

**RMS / Peak Watts:** 125 / 250

**Frequency Response:** 110Hz - 17KHz

**SPL @ 1w/1m:** 103dB



### Cadence Acoustics

6519 Highway 9 North • Howell, NJ 07731  
800.477.2328 • 732.370.5400 • fax: 732.370.5553 • www.cadencesound.com

