

# PA6

## 6.5" 2-Way Coaxial speaker

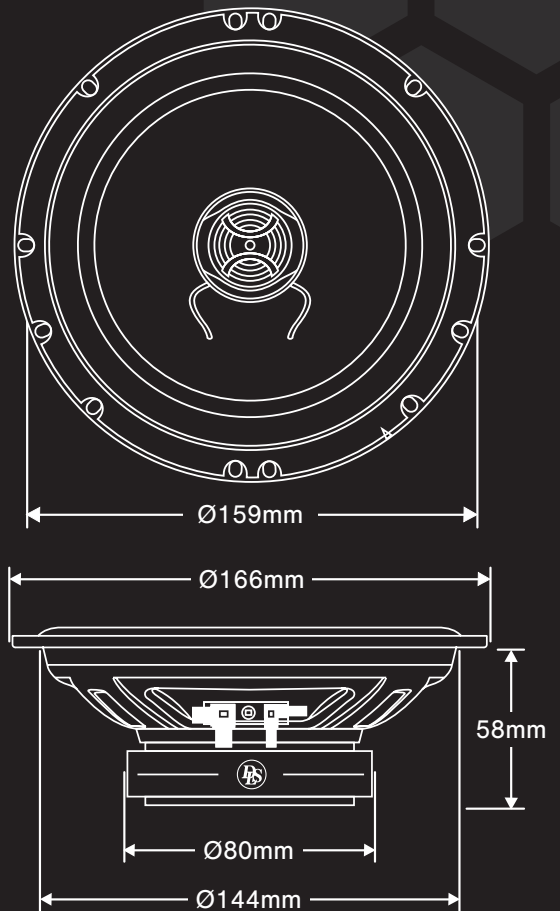


### Performance Advantage

– The DLS experience at a great value

With durable quality, impressive performance and high flexibility the DLS Performance Advantage series brings you the unique DLS audio experience at a great value.

- High quality entry level 2-way speaker
- Polypropylene cone woofer and rubber surround
- Sand paint-coated steel basket
- High grade Ferrite Motor
- 0,51"/13mm Neodymium tweeter with Mylar cone and 6dB crossover
- Protective grilles, speaker cable and installation accessories included



### SPECIFICATIONS

|             |              |
|-------------|--------------|
| Tweeter     | 0.51" / 13mm |
| Woofer      | 6.5" / 165mm |
| Power RMS   | 50W          |
| Power MAX   | 100W         |
| Impedance   | 4 Ohm        |
| Sensitivity | 86 dB        |
| Freq.range  | 67-20 000 Hz |



DLS Sweden, a part of Winn Scandinavia AB

[www.facebook.com/dlsaudioofficial](https://www.facebook.com/dlsaudioofficial)

[www.dls.se](http://www.dls.se) | [info@dls.se](mailto:info@dls.se)



# PERFORMANCE