

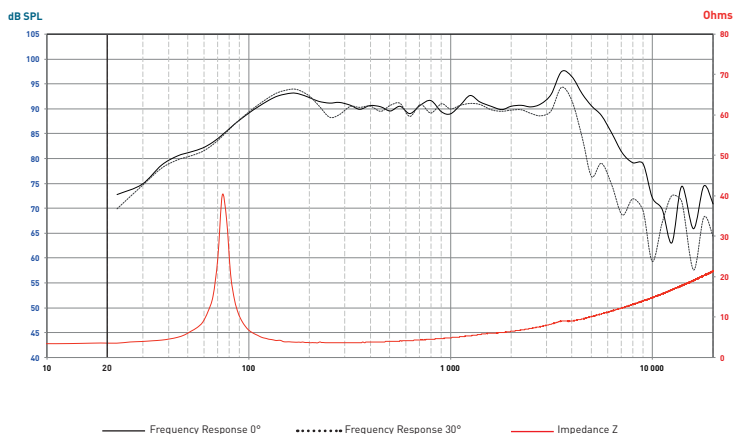
EXPERT PS 165FX

Woofer (6"1/2")

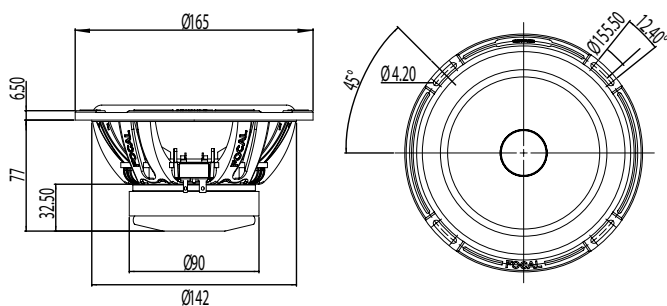


- Flax cone
- Aluminum basket
- Butyl surround

FREQUENCY RESPONSE/IMPEDANCE



MECHANICAL DRAWING



SPECIFICATIONS

Nominal power	80W	
Maximum power	160W	
Sensitivity (2,83V/1m)	91,3dB	
Cone	Flax	
Surround	Butyl	
Nom. impedance	4 Ohms	
DC resistance	3 Ohms	
VC diameter	32mm	1 1/4"
VC height	15mm	
Former	Kapton	
Layers	2	
Wire	Alu	
Inductance		
Xmax	5mm	0 3/16"
Magnet d x h	90mm x 17mm	3 9/16" x 0 2/3"
Magnet weight	400g	0.88 lb
Flux density	-	
Gap height	5mm	0 3/16"
Net weight	1350g	2.98 lb

PARAMETERS

Fs	74Hz
Vas	7.4 l
Qts	0.85
Qes	0.92
Qms	10.9
Re	3.2 Ohms
Sd	124.7cm ²
Cas	5.3E-08.5m ⁵ /N
Mas	76,28 kg/m ⁴
Ras	3222,63 Ohms.ac
Cms	390µm/N
Mms	11.9g
Rms	0.3kg/s
Ces	711.43mF
Les	7.27mH
Res	33.27 Ohms
BI	4.44N/A
SPL	87.6 dB/W/m

