

TN53K

K2 Power tweeter

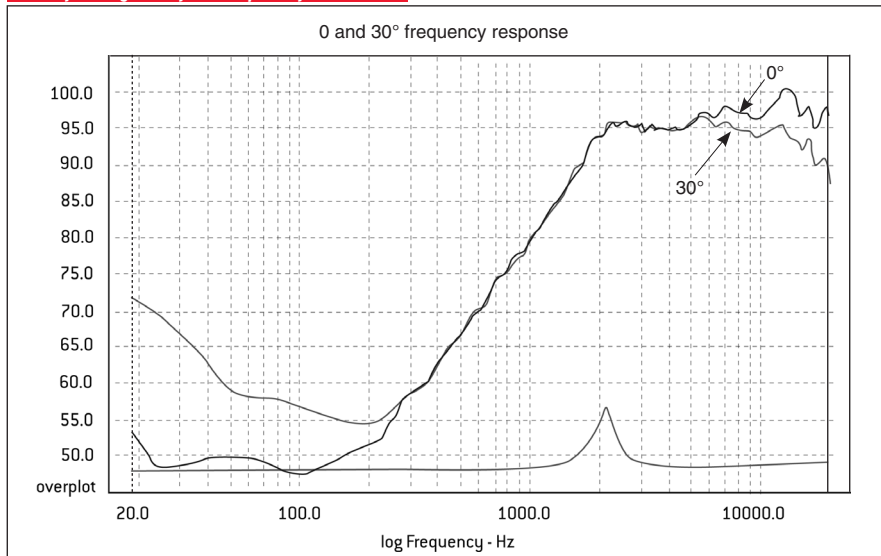
- Woven aramide Fiber
- Inverted dome
- Dual Flange for optimized staging



Specifications

Nominal power	15W	
Maximum power	100W	
Sensitivity (2.83V/m)	95 dB	
Cone	Woven aramid fiber	
Surround	-	
Nom. impedance	8 ohms	
DC resistance	5,8 ohms	
VC diameter	20,4mm	13/16 in
VC height	1,5mm	1/16 in
Former	Aluminum	
Layers	2	
Wire	Copper	
Inductance	0.02 mH	
Xmax	-	
Magnet (dxh)	40 x 7mm	1-3/16x1/4 in
Magnet weight	114g	
Flux density	1.94 T	
Gap height	3mm	1/8 in
Net weight	178g	

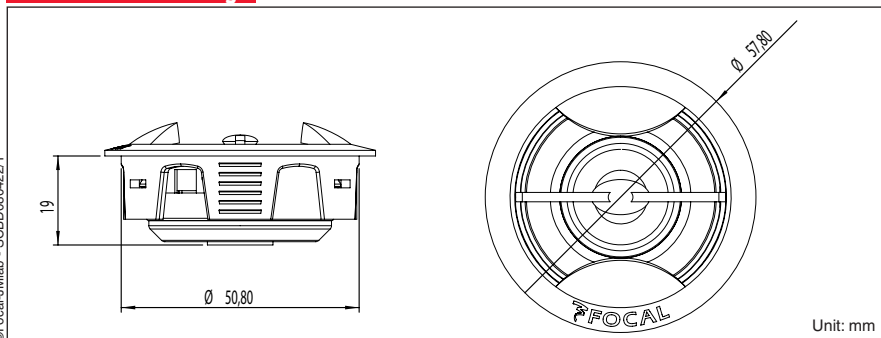
Frequency Response / Impedance



Parameters

Fs	2149Hz
Vas	-
Qts	-
Qes	-
Qms	-
Re	5.8 ohms
Sd	-
Cas	-
Mas	-
Ras	-
Cms	-
Mms	-
Rms	-
Ces	-
Les	-
Res	16.66 ohms
BI	-
SPL	-

Mechanical Drawing



©Focal-JMlab - SCBD080422/1

Focal® is a trademark of Focal-JMlab® - BP 374 - 108, rue de l'Avenir - 42353 La Talaudière cedex France - Tél. (33) 04 77 43 57 00 - Fax (33) 04 77 37 65 87 - www.focal-fr.com - SCBD080422/1

