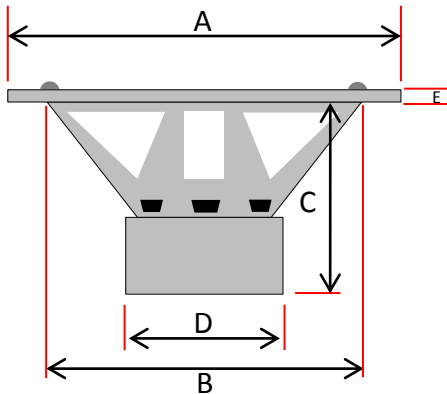




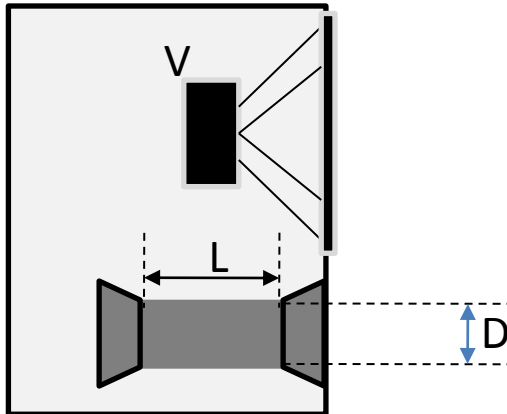
## TECHNICAL SPECIFICATIONS

Product name	GZNW 12XSPL	Gasket	Yellow Aluminum Ring
Product type	Subwoofer chassis	Terminal	Black chrome push terminal
H.Art .nr.	125078	Power handling	4500 W SPL Power
Diameter	314 mm / 12.36"	Impedance	2 x 1 Ohm
Mounting diameter	284 mm / 11.18"	Re	2.4 Ohm
Mounting depth	226mm / 8.9"	Res	124.7 Ohm
Magnet dimension	3 x 220 x 20 mm	FS	38.1 Hz
Total weight	22,25 KG	Qms	4.76
Voice coil diameter	75 mm / 3" Round Wire	Qes	0.45
Voice coil winding height	50 mm / 1.97"	Qts	0.41
Voice coil wire material	CCA	Rms	11.9 kg/s
Voice coil former material	Black aluminum	Cms	0.07 mm/N
Top plate height	27 mm / 1.063"	Mms	236.9 gr
Linear excursion (one direction)	11,5 mm / 0.452"	BL	17.3 N/A
Effective Xmax	50 mm / 2"	SPL	92 dB
Top Plate and T-Yoke color	Black machined	VAS	25.7 L / 0.91 cu.ft
Basket material	Aluminum Cast	Le	0.95 mH
Basket color	Yellow	Recommended freq. response	35 – 100 Hz
Spider	4xProgressive Connex	Recommended amplifier power	1500 –4500WRMS @20hm (0,50hm)
Surround	High Roll Sandwich Foam	Sound Quality	⊙⊙⊙⊙ (max. ⊙⊙⊙⊙⊙⊙)
Cone	Reinforced Paper	SPL Competition	⊙⊙⊙⊙⊙ (max. ⊙⊙⊙⊙⊙⊙)
Dustcap	IMPP konvex / with 3D Logo	Low bass performance 20-50Hz	⊙⊙⊙⊙ (max. ⊙⊙⊙⊙⊙⊙)
Magnetcover	PVC	Mid bass performance 50-80Hz	⊙⊙⊙⊙ (max. ⊙⊙⊙⊙⊙⊙)



A	314 mm / 12.36"
B	284 mm / 11.18"
C	226 mm / 8.9"
D	220 mm / 8.66"
E	10 mm / 0.39"



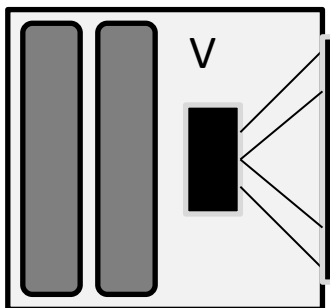
**BOX RECOMMENDATION**

**Big size vented box**

V: 80 L / 3.15 cu.ft

D: 1x 160 mm / 6"

L: \*240 mm / 9.4"

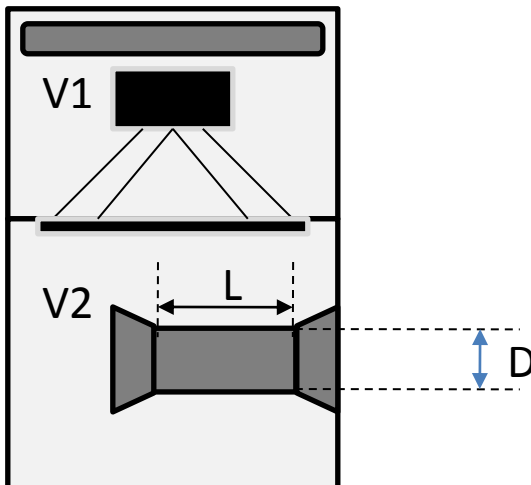
No damping


**Medium size sealed box**

13 – 25 L / 0.46– 0.88 cu.ft

Qtc 0.71 – 0.58

40 - 60% polyester wool


**Medium size bandpassbox**

V1: 25 L / 0.88 cu.ft

V2: 50 L / 1.77 cu.ft

D: 160 mm / 6"

L: \*210 mm / 8.27"

20% polyester wool in V1

No damping in V2

Die hier aufgeführten Gehäusevorschläge sind nur einige, der möglichen Varianten.

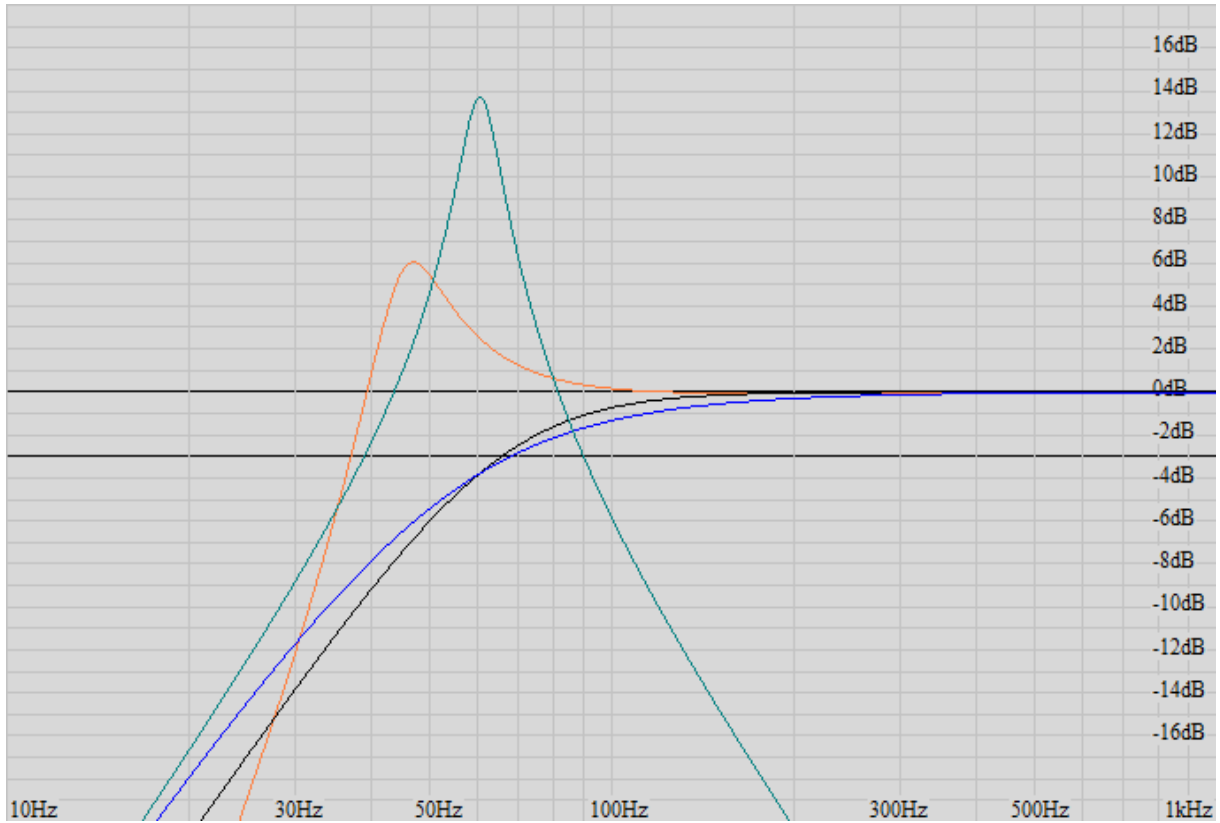
Bitte beachten Sie zudem, dass die finale Abstimmung, speziell die Port Längen je nach Fahrzeug und eigenem Geschmack variiert werden sollte.

*Above-mentioned enclosure recommendations are just a few possible variations.*

*Please note that you should find the perfect tuning, especially port length, based on your car and own taste.*



## BOX RECOMMENDATION



Curve	Type	Volume	F3/ Qtc
Red	Vented	80 L / 3.15 cu.ft	37 Hz
Black	Sealed	13 L / 0.46 cu.ft	65 Hz / 0.71
Blue	Sealed	25 L / 0.88 cu.ft	68 Hz / 0.58
Green	Bandpass 4th order	V1: 25 L / 0.88 cu.ft V2: 50 L / 1.77 cu.ft	Centerfreq. 60 Hz

Die hier aufgeführten Gehäusevorschläge sind nur einige, der möglichen Varianten.

Bitte beachten Sie zudem, dass die finale Abstimmung, speziell die Port Längen je nach Fahrzeug und eigenem Geschmack variiert werden sollte.

*Above-mentioned enclosure recommendations are just a few possible variations.*

*Please note that you should find the perfect tuning, especially port length, based on your car and own taste.*

