

DSC Koax-System

Packungsinhalt:

- (2) DSC Koaxial-Lautsprecher
- (8) Schrauben zur Montage und SpeedClips
- (2) Positiv-Negativ-Anschlusskabel
- (4) Lüsterklemmen

Haut-Parleur Coaxiaux DSC

Contenu du coffret :

- (2) Haut-parleurs coaxiaux DSC
- (8) Vis de montage et attaches rapides
- (2) Fils conducteurs positif-négatif
- (4) Bouchons de câbles



DSC Coaxial Speakers

Package Contents:

- (2) DSC Coaxial Speakers
- (8) Mounting screws and speed clips
- (2) Positive-Negative lead wires
- (4) Wire caps

Altavoz Coax DSC

Contenido del paquete:

- (2) Bocinas coaxiales DSC
- (8) Tornillos y presillas de montaje
- (2) Cables Positivo-Negativo
- (4) Tapas para cables

Model:	DSC35	DSC4	DSC46	DSC5	DSC65	DSC67	DSC68	DSC693
Speaker Design	2-Way	2-Way	2-Way	2-Way	2-Way	2-Way	2-Way	3-Way
Woofer [in, mm]	3-1/2, 89	4, 100	4x6, 100x160	5-1/4, 130	6-1/2, 160	6-3/4, 165	6x6, 160x200	6x6, 160x230
Mid [in, mm]	-	-	4x6, 100x160	-	-	-	-	2, 50
Tweeter [in, mm]	1/2, 13	1/2, 13	1/2, 13	1/2, 13	1/2, 13	1/2, 13	1/2, 13	1/2, 13
Rated Impedance [Ω]	4	4	4	4	4	4	4	4
Peak Power Handling [Watts]	80	120	120	200	240	240	200	380
Continuous Power Handling [Watts RMS]	20	30	30	50	60	60	50	90
Sensitivity [1W, 1m]	88	88	88	90	90	90	90	92
Frequency/Response [Hz]	80-20K	60-20K	50-20K	45-20K	40-20K	40-20K	45-20K	30-20K
Mounting Hole Diameter [in, mm]	3, 78	3-3/4, 95	4x6, 101x152	4-1/2, 115	4-13/16, 123	5-1/2, 140	5x7 3/16, 128x182	5-5/8 x 8-7/16, 143x215
Top Mount Depth [in, mm]	1/4, 6	1/4, 6	5/16, 7	1/4, 7	3/8, 9	3/16, 4	3/8, 9	7/16, 12
Bottom Mount Depth [in, mm]	1-11/16, 42	1-13/16, 46	1-11/16, 43	1-3/4, 45	1-11/16, 43	1-13/16, 47	2-3/16, 56	3-3/16, 81
Tweeter Projection [in, mm]	1/8, 3	0	0	0	0	0	0	1/16, 1
Gilles	No	Yes	No	Yes	Yes	Yes	No	Yes
Tweeter Magnet Material	Neodymium	Neodymium	Neodymium	Neodymium	Neodymium	Neodymium	Neodymium	Neodymium
Tweeter Dome Material	PEI (polyether imide)	PEI (polyether imide)	PEI (polyether imide)	PEI (polyether imide)	PEI (polyether imide)	PEI (polyether imide)	PEI (polyether imide)	PEI (polyether imide)
Tweeter Design	Balanced dome	Balanced dome	Balanced dome	Balanced dome	Balanced dome	Balanced dome	Balanced dome	Balanced dome
Woofer Cone Material	Polypropylene	Polypropylene	Polypropylene	Polypropylene	Polypropylene	Polypropylene	Polypropylene	Polypropylene
Woofer Surround Material	Polyester foam	Polyester foam	Polyester foam	Polyester foam	Polyester foam	Polyester foam	Polyester foam	Polyester foam

KICKER products are warranted against defects. Duration and terms of warranty depend on the laws in the country in which it was purchased. For details see your local KICKER Dealer or www.kicker.com/warranty.

Our goods come with guarantees that cannot be excluded under the **Australian Consumer Law**. You are entitled to a replacement or refund for a major failure and for compensation for any other reasonably foreseeable loss or damage. You are also entitled to have the goods repaired or replaced if the goods fail to be of acceptable quality and the failure does not amount to a major failure.

Model:	DSC35	DSC4	DSC46	DSC5	DSC65	DSC67	DSC68	DSC693
Design del altavoz	2-Way	2-Way	2-Way	2-Way	2-Way	2-Way	2-Way	3-Way
Woofer [in, mm]	3-1/2, 89	4, 100	4x6, 100x160	5-1/4, 130	6-1/2, 160	6-3/4, 165	6x6, 160x200	6x6, 160x230
Medio [in, mm]	-	-	4x6, 100x160	-	-	-	-	2, 50
Tweeter [in, mm]	1/2, 13	1/2, 13	1/2, 13	1/2, 13	1/2, 13	1/2, 13	1/2, 13	1/2, 13
Impedancia nominal [Ω]	4	4	4	4	4	4	4	4
Manejo de potencia máxima [Watts]	80	120	120	200	240	240	200	380
Manejo de potencia continua [Watts RMS]	20	30	30	50	60	60	50	90
Sensibilidad [1W, 1m]	88	88	88	90	90	90	90	92
Respuesta en frecuencia [Hz]	80-20K	60-20K	50-20K	45-20K	40-20K	40-20K	45-20K	30-20K
Districción del orificio de montaje [in, mm]	3, 78	3-3/4, 95	4x6, 101x152	4-1/2, 115	4-13/16, 123	5-1/2, 140	5x7 3/16, 128x182	5-5/8 x 8-7/16, 143x215
Profundidad de montaje superior [in, mm]	1/4, 6	1/4, 6	5/16, 7	1/4, 7	3/8, 9	3/16, 4	3/8, 9	7/16, 12
Profundidad de montaje inferior [in, mm]	1-11/16, 42	1-13/16, 46	1-11/16, 43	1-3/4, 45	1-11/16, 43	1-13/16, 47	2-3/16, 56	3-3/16, 81
Prominencia del tweeter	1/8, 3	0	0	0	0	0	0	1/16, 1
Pajillas	No	SI	No	SI	SI	SI	No	SI
Materia del imán del tweeter	Neodimio	Neodimio	Neodimio	Neodimio	Neodimio	Neodimio	Neodimio	Motor eléctrico de cristal
Materia del domo del tweeter	PEI (polyether imide)	PEI (polyether imide)	PEI (polyether imide)	PEI (polyether imide)	PEI (polyether imide)	PEI (polyether imide)	PEI (polyether imide)	PEI (polyether imide)
Diseno del tweeter	Domo balanceado	Domo balanceado	Domo balanceado	Domo balanceado	Domo balanceado	Domo balanceado	Domo balanceado	Domo balanceado
Materia del cono del woofer	Polypropylene	Polypropylene	Polypropylene	Polypropylene	Polypropylene	Polypropylene	Polypropylene	Polypropylene
Materia que rodea al woofer	Poliuretano con costillas	Poliuretano con costillas	Poliuretano con costillas	Poliuretano con costillas	Poliuretano con costillas	Poliuretano con costillas	Poliuretano con costillas	Poliuretano con costillas

Los productos KICKER están garantizados contra defectos. La duración y los términos de la garantía dependen de las leyes del país en donde se realizó la compra. Para más detalles consulte a su distribuidor local de KICKER o visite www.kicker.com/warranty.

Model:	DSC35	DSC4	DSC46	DSC5	DSC65	DSC67	DSC68	DSC693
Lautsprecher-Design	2-Way	2-Way	2-Way	2-Way	2-Way	2-Way	2-Way	3-Way
Titelvor [in, mm]	3-1/2, 89	4, 100	4x6, 100x160	5-1/4, 130	6-1/2, 160	6-3/4, 165	6x6, 160x200	6x6, 160x230
Medie [in, mm]	-	-	-	-	-	-	-	2, 50
Hochtreiber [in, mm]	1/2, 13	1/2, 13	1/2, 13	1/2, 13	1/2, 13	1/2, 13	1/2, 13	1/2, 13
Nennimpedanz [Ω]	4	4	4	4	4	4	4	4
Maximale Lautsprecherleistung [Watt]	80	120	120	200	240	240	200	380
Dauerleistung [Watt RMS]	20	30	30	50	60	60	50	90
Sensibilität [1W, 1m]	88	88	88	90	90	90	90	92
Frequenzgang [Hz]	80-20K	60-20K	50-20K	45-20K	40-20K	40-20K	45-20K	30-20K
Durchmesser des Befestigungsbores [in, mm]	3, 78	3-3/4, 95	4x6, 101x152	4-1/2, 115	4-13/16, 123	5-1/2, 140	5x7 3/16, 128x182	5-5/8 x 8-7/16, 143x215
Titel der oberen Befestigung [in, mm]	1/4, 6	1/4, 6	5/16, 7	1/4, 7	3/8, 9	3/16, 4	3/8, 9	7/16, 12
Titel der unteren Befestigung [in, mm]	1-11/16, 42	1-13/16, 46	1-11/16, 43	1-3/4, 45	1-11/16, 43	1-13/16, 47	2-3/16, 56	3-3/16, 81
Übersand des Hochtreibers [in, mm]	1/8, 3	0	0	0	0	0	0	1/16, 1
Filter	Nein	Ja	Nein	Ja	Ja	Ja	Nein	Ja
Materia des Hochtreiber/Magnet	Neodymium	Neodymium	Neodymium	Neodymium	Neodymium	Neodymium	Neodymium	Elektro-Kristall/Motor
Materia del Hochtonkavete	PEI (polyether imide)	PEI (polyether imide)	PEI (polyether imide)	PEI (polyether imide)	PEI (polyether imide)	PEI (polyether imide)	PEI (polyether imide)	PEI (polyether imide)
Hochtreiber-Design	Balancete Kavete	Balancete Kavete	Balancete Kavete	Balancete Kavete	Balancete Kavete	Balancete Kavete	Balancete Kavete	Balancete Kavete
Materia des Teilton-Membran	Polypropylene	Polypropylene	Polypropylene	Polypropylene	Polypropylene	Polypropylene	Polypropylene	Polypropylene
Materia der Teiltonverringung	Gerippter Polyschaum	Gerippter Polyschaum	Gerippter Polyschaum	Gerippter Polyschaum	Gerippter Polyschaum	Gerippter Polyschaum	Gerippter Polyschaum	Gerippter Polyschaum

KICKER-Produkte haben eine Garantie gegen Material- und Verarbeitungsfehler. Dauer und Bedingungen der Garantie hängen von den Gesetzen des Landes ab, in dem sie erworben wurden. Bzgl. Einzelheiten wenden Sie sich bitte an Ihren örtlichen KICKER-Händler oder besuchen Sie www.kicker.com/warranty.

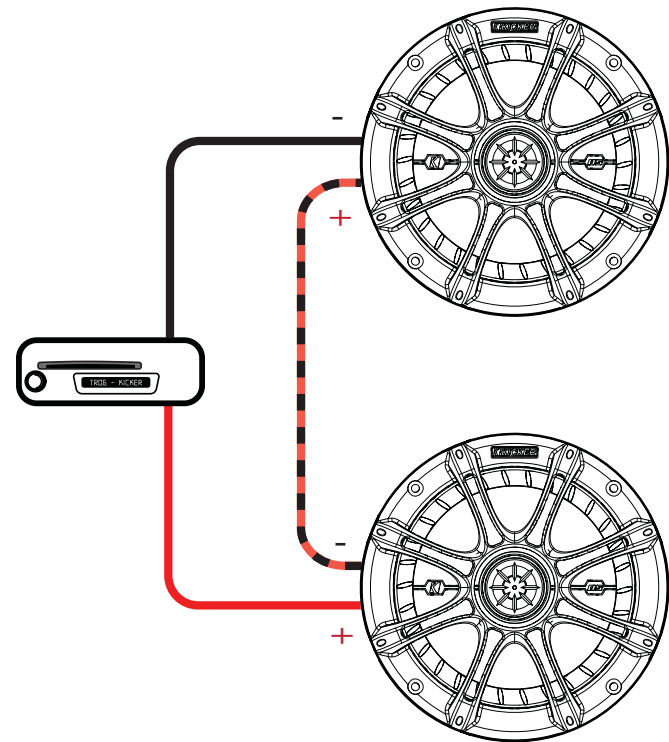
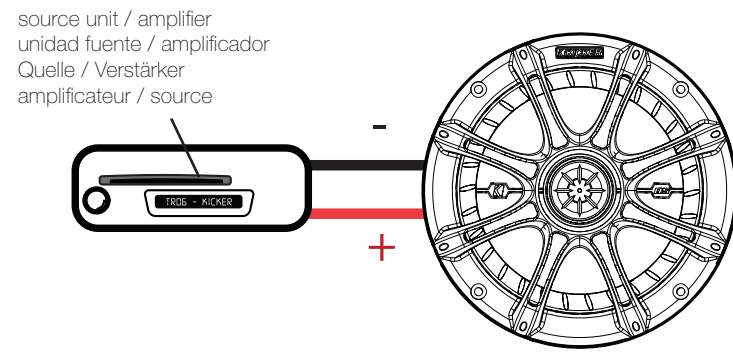
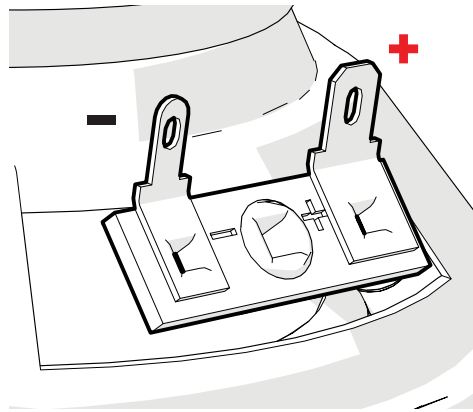
Les produits KICKER sont garantis contre les défauts. La durée et les modalités de la garantie dépendent des lois du pays dans lequel le produit a été acheté. Pour plus d'information veuillez vérifier auprès de votre distributeur local KICKER ou visiter le site : www.kicker.com/warranty.

Wiring
Cableado
Verkabelung
Câblage

Connect wiring to terminals.
 Conecte el cableado a las terminales.
 Schließen Sie die Kabel an die Klemmen an.
 Connectez le câblage aux bornes.

Mounting
Montaje
Einbau
Montage

Secure speaker to desired location.
 Asegure la bocina en la ubicación deseada.
 Befestigen Sie den Lautsprecher am gewünschten Ort.
 Fixez le haut-parleur à l'endroit désiré.

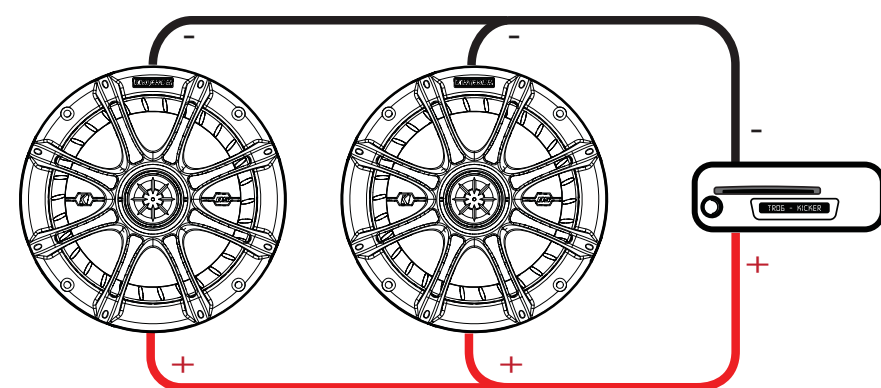


Two DSC Speakers wired in series to a single channel
Total Impedance: 8 ohms

Dos DSC Coax altavoces conectaron en la serie a un solo canal
Total Impedancia: 8 ohms

Zwei DSC Koax-Systeme an einen einzelnen Kanal anschließen
Total Impedanz: 8 ohms

Deux haut-parleurs à une chaîne seule
Total Impédance: 8 ohms



Two DSC Speakers wired in parallel to a single channel
Total Impedance: 2 ohms

Dos DSC Coax altavoces conectaron en la paralelo a un solo canal
Total Impedancia: 2 ohms

Zwei DSC Koax-Systeme an einen einzelnen Kanal Paralleler
Total Impedanz: 2 ohms

Deux haut-parleurs à une parallèle seule
Total Impédance: 2 ohms

