

KICKER®

KXM | *Amplifiers*

**KXM MARINE
STEREO AMPLIFIER
KXM400.2**

Owner's Manual | **English**

Manual del Propietario | **Español**
AMPLIFICADOR DE LA SERIE KXM.2

Benutzerhandbuch | **Deutsch**
MONOVERSTÄRKER DER KXM.2-SERIE

Manuel d'utilisation | **Française**
AMPLIFICATEUR DE SÉRIE KXM.2



KXM.2-SERIES AMPLIFIERS OWNER'S MANUAL

MODEL: **KXM400.2**

Authorized KICKER Dealer: _____

Purchase Date: _____

Serial Number: _____

PERFORMANCE

Model:

KXM400.2

RMS Power

@ 14.4V, 4 Ω stereo, \leq 1% THD+N

@ 14.4V, 2 Ω stereo, \leq 1% THD+N

@ 14.4V, 4 Ω mono, \leq 1% THD+N

100W x 2

200W x 2

400W x 1

Length | in [cm]

9 9/16 [24.4]

Height | in [cm]

2 3/16 [5.5]

Width | in [cm]

8 5/16 [21]

Frequency Response \pm 1dB

10Hz–20kHz

Signal-to-noise Ratio

>95dB, AU-weighted, @ rated power

Input Sensitivity

Low Level: 125mV–5V

High Level: 250mV–10V

Electronic Crossover

Off

Variable HP, 10-500Hz

Variable LP, 40-500Hz; 400Hz–5,000Hz with 10X Switch (BP capable)

Slope: 24dB/octave

Bass Boost

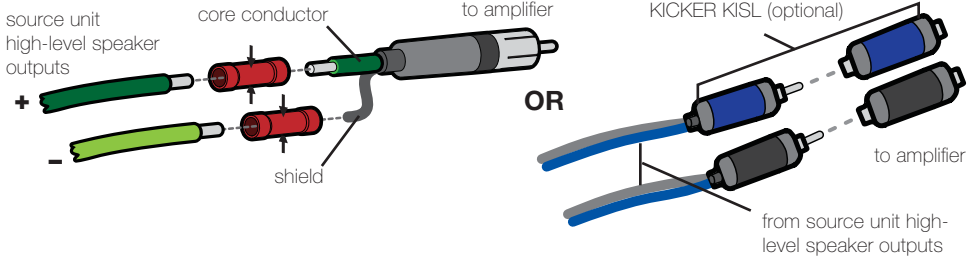
0-18dB @ 40Hz

Pro Tip: To get the best performance from your new KICKER Amplifier and extend the warranty by 1 year, use genuine KICKER accessories and wiring.

INSTALLATION

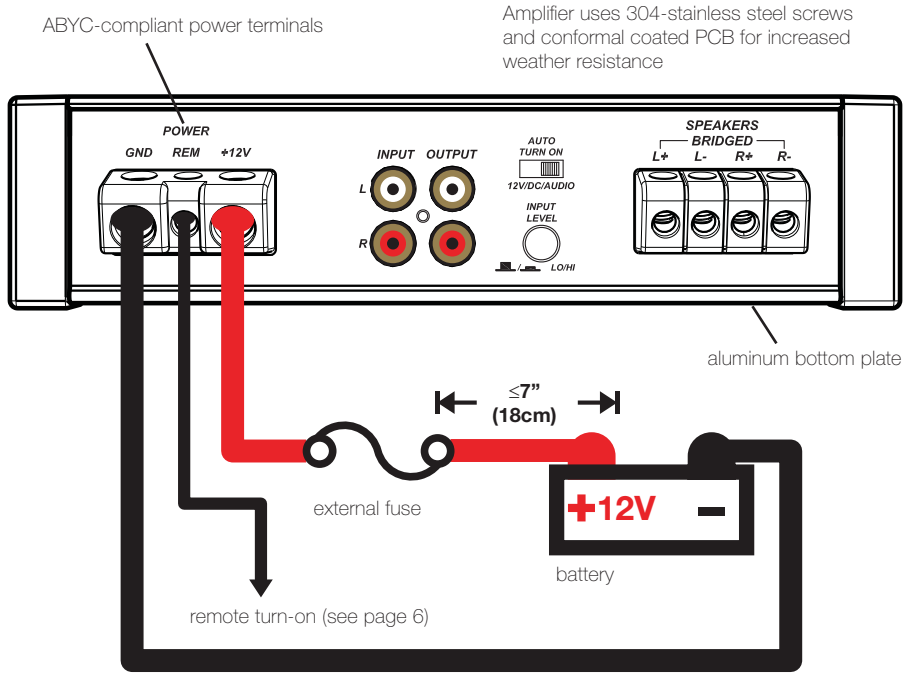
Mounting: Choose a dry, structurally sound location to mount your KICKER amplifier. Make sure there are no items behind the area where the screws will be driven. Choose a location that allows at least 4" (10cm) of open ventilation for the amplifier. Drill four holes using a 7/64" (3mm) bit and use the supplied #8 screws to mount the amplifier.

Wiring: The KXM amplifier has dual input sensitivity differential RCA inputs which will receive either high or low level signals from your source unit. A high-level signal can be run from the source unit's speaker outputs to the stereo RCA input on the end panel of the amplifier using the KICKER KISL as shown (make sure you set the KXM amplifier's input level switch to "HI"). Alternatively, the signal can be delivered to the amplifier using the low-level RCA outputs on the source unit. Set the input level switch on the end panel of the amplifier to "LO". Either input method will provide a low-level output signal at the amplifier's RCA output, which effectively passes the audio signal to another amplifier or component. Keep the audio signal cable away from factory wiring harnesses and other power wiring. If you need to cross this wiring, cross it at a 90 degree angle.



Disconnect the ground wire from the vehicle's battery to avoid an electrical short. Install a fuse within 7" (18cm) of the battery and in-line with the power cable connected to your amplifier. Connect the ground wire to the amplifier, then connect this wire to the negative battery terminal. If you ever need to remove the amplifier from the vehicle after it has been installed, the ground wire should be the first wire disconnected from the amplifier.

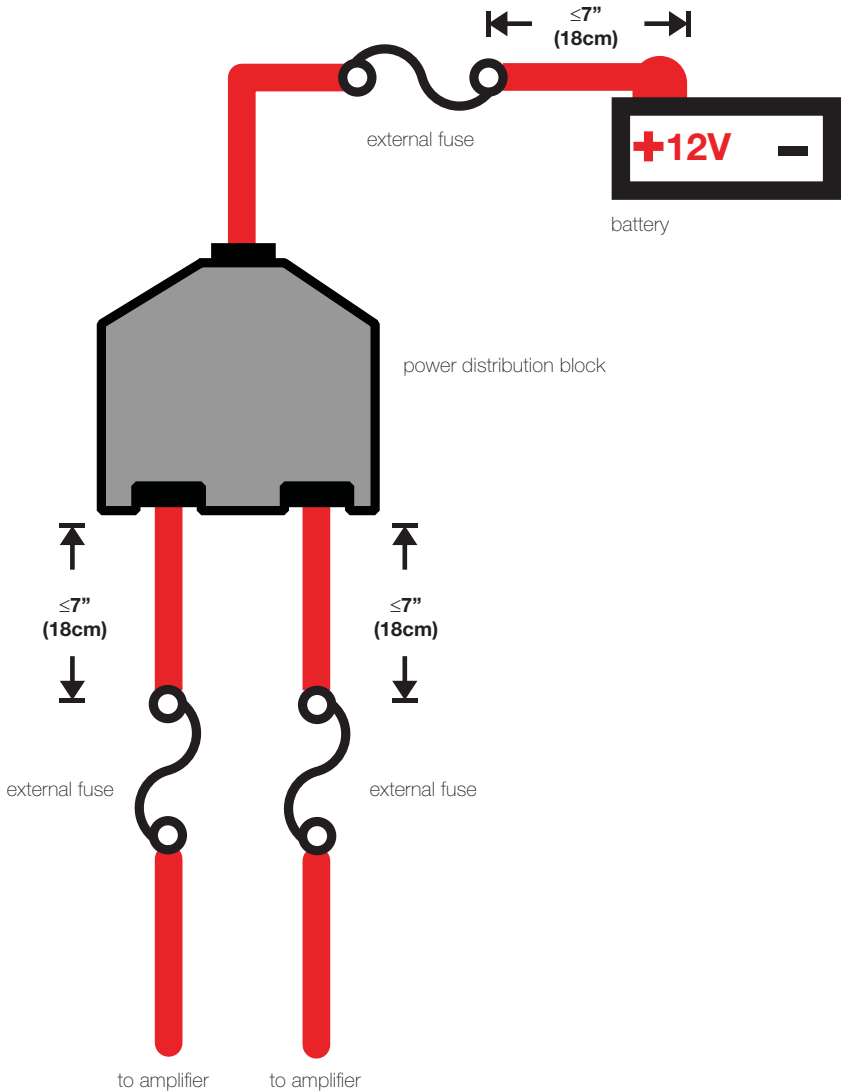
Model	External Fuse (sold separately)	Power/Ground Wire
KXM400.2	1 x 60 Ampere	4 Gauge



Amplifier uses 304-stainless steel screws and conformal coated PCB for increased weather resistance

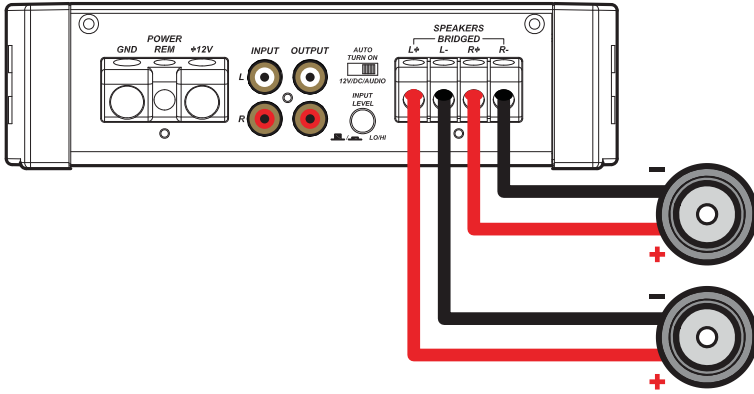
For multiple amplifier installations where distribution blocks are used, each amplifier should have its proper-rated fuse, or breaker, installed between the amplifier and the distribution block within seven inches of the block, or on the distribution block if it provides for fusing. The primary power wire should also be fused between the battery and distribution block, within seven inches of the battery's B+ terminal, with a fuse or breaker rated at least to the sum of the individual amplifier's fuse values, but not to exceed 1.5-times the sum of the individual fuse values (not to exceed the ampacity of the thermal insulation of the wiring as shown in U.S.C.G. CFR33 183.425, Table 5). See the diagram below.

NOTE: Seven inches is the standard distance under U.S. Coast Guard CFR33 for placement of fuses or breakers as required by law for new boat manufacturing. We recommend trying to adhere to this standard in a consumer installation. Failure to do so does not mean you are breaking the law, but it does put the safety of your boat and passengers at risk in the event of a power wire short circuit.



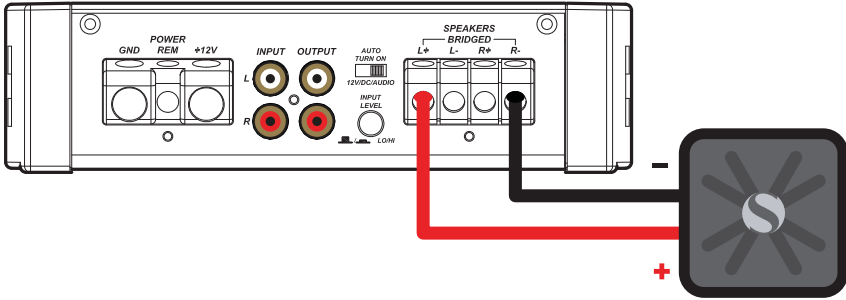
STEREO OPERATION

minimum impedance of 2 ohms per channel



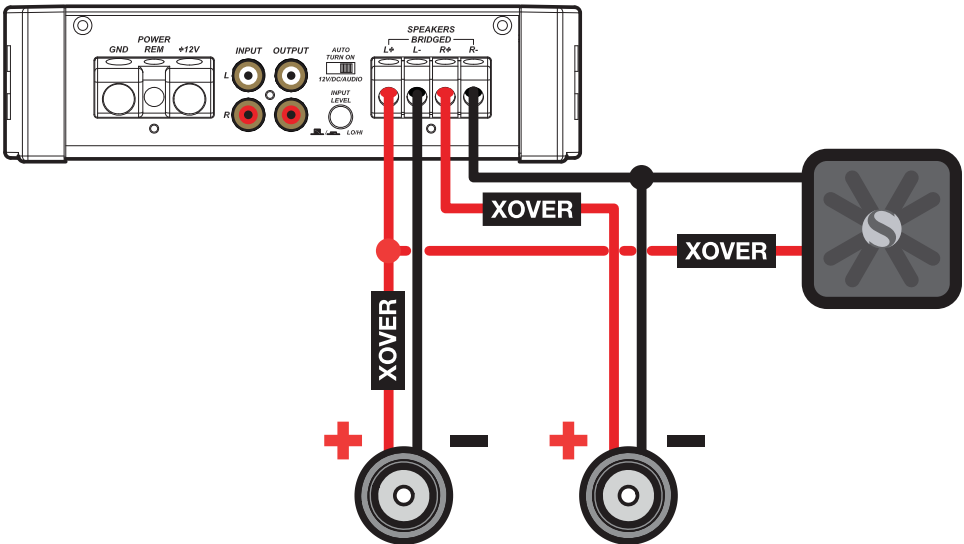
BRIDGED OPERATION (MONO)

minimum impedance of 4 ohms



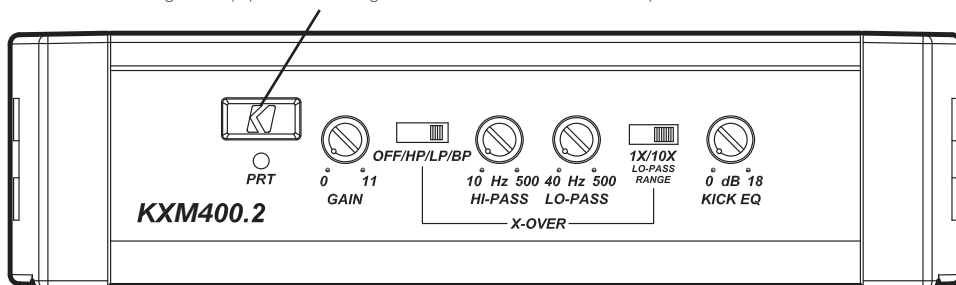
STEREO-AND-MONO-SIMULTANEOUSLY (SAMS) OPERATION

minimum impedance of 4 ohms bridged (mono) and 2 ohms per channel stereo



OPERATION

Mini-USB for internal use only; do NOT remove or tamper. KICKER is not responsible for any damage to equipment resulting from connections made to this port.



Use a 3mm hex key to remove side panel cover

Automatic Turn-On Selection: The KXM series offers three different automatic turn-on modes that can be selected; +12V, DC Offset, and Audio. Using either the DC Offset or Audio mode causes the REM terminal to have +12V out for turning on additional amplifiers.

- Remote Turn-On: Set the switch to +12V to use the remote turn-on lead from your source unit. Run 18 gauge wire from the Remote Turn-On Lead on your source unit to the terminal labeled REM between the amplifier's positive and negative power terminals. This is the preferred automatic turn-on method.
- DC Offset Turn-On: If Remote Turn-On is not an option, the next best setting is DC Offset. The DC Offset mode detects a 6V DC offset from the HI-Level speaker outputs when the source unit has been turned on.
- Signal Sense Turn-On: The Audio setting is the final alternative for Automatic turn-on. This is a Signal Sense turn-on method that detects the incoming audio signal from your source unit and automatically turns on the amp. This turn-on method will not work properly if the input gain control is not set appropriately.

Input Level: The RCA inputs on KICKER KXM amplifiers are capable of receiving either Hi or Low-level signals from your source unit. If the only output available from your source unit is a Hi-Level signal, simply press in the Input Level switch on the amplifier. Refer to the wiring section of this manual for additional instructions.

Input Gain Control: The input gain control is not a volume control. It matches the output of the source unit to the input level of the amplifier. Turn the source unit up to about 3/4 volume (if the source unit goes to 30, turn it to 25). Next, slowly turn (clockwise) the gain on the amplifier up until you can hear audible distortion, then turn it down a little.

Crossover Controls with Frequency Multiplier Switch: The variable crossover controls on the side of the amplifier allow you to set the crossovers to OFF, HI-PASS, LO-PASS or BAND-PASS at frequencies from 10Hz–5,000Hz. The setting for these controls is subjective.

KICK EQ Bass Boost Control: The variable bass boost control on the side of the KXM400.2 amplifier is designed to give you increased output, 0–18dB, at 40Hz. The setting for this control is subjective. If you turn it up, you must readjust the input gain control to avoid clipping the amplifier.

TROUBLESHOOTING

If your amplifier does not appear to be working, check the obvious things first such as blown fuses, poor or incorrect wiring connections, incorrect setting of crossover switch and gain controls, etc. There is a Protection (PRT) LED on the side panel of your KICKER KXM series amplifier. Depending on the state of the amplifier and the vehicle's charging system, the LED will either glow red or be off.

Red (PRT) LED flickering with loud music? The red (PRT) LED indicates low battery voltage or an illegal load. Check all the connections in your vehicle's charging system. It may be necessary to replace or charge your vehicle's battery or replace your vehicle's alternator.

Red (PRT) LED on, no output? ❶ Amplifier is very hot = thermal protection is engaged. Test for proper impedance at the speaker terminals with a VOM meter (see the diagrams in this manual for minimum recommended impedance and multiple speaker wiring suggestions). Also check for adequate airflow around the amplifier. ❷ Amplifier shuts down only while vehicle is running = voltage protection circuitry is engaged. Voltage to the amplifier is not within the 10–16 volt operating range. Have the vehicle's charging and electrical system inspected. ❸ Amplifier will only play at low volume levels = short circuit protection is engaged. Check for speaker wires shorted to each other or to the vehicle chassis. Check for damaged speakers or speaker(s) operating below the minimum recommended impedance.

No or low output? ❶ Check the balance control on source unit ❷ Check the RCA (or speaker input) and speaker output connections. ❸ Make certain that the amplifier is not in BP (Band-pass) mode and that you have created a notch filter.

Alternator noise-whining sound with engine's RPM? ❶ Check for damaged RCA (or speaker input) cable ❷ Check the routing of RCA (or speaker input) cable ❸ Check the source unit for proper grounding ❹ Check the gain settings and turn them down if they are set too high.

Ground Noise? On a boat or other watercraft, alternator noise or ground loop noise is usually a voltage potential difference, and it can happen on either the positive or the ground side of the power wiring. The most common issue is that the stereo system wiring is delivered from two different locations and is therefore at two different voltage potentials. The head unit power usually comes from the helm's wiring harness, while the amplifier's power comes straight from the battery. The helm wiring has lots of noise on it from tachometers (the most common engine noise culprit), depth finders, and engine management computers. The helm ground cable is often too small for its total load. As a result, both the positive and the ground are usually at different voltage potentials compared to amplifier power wiring.

The easiest way to get rid of noise is to ensure that the head unit's positive and ground wire are at exactly the same voltage potential as the amplifier(s). The easiest way to accomplish this is to have the head unit's power wiring removed from the helm's power harness, moving it directly to the battery or the amplifier's power terminals, with the positive wire running through a switch or switched relay to allow the system to be turned on or off.

CAUTION: When jump starting the vehicle, be sure that connections made with jumper cables are correct. Improper connections can result in blown amplifier fuses as well as the failure of other critical systems in the vehicle.

If you have more questions about the installation or operation of your new KICKER product, see the Authorized KICKER Dealer where you made your purchase. For more advice on installation, click on the SUPPORT tab on the KICKER homepage, www.kicker.com. Choose the TECHNICAL SUPPORT tab, choose the subject you are interested in, and then download or view the corresponding information. Please E-mail support@kicker.com or call Technical Services (405) 624-8583 for unanswered or specific questions.



KXM400.2

100 x 2 @ 4 ohms, 14.4VDC, 1% THD, CEA-2006B (Watts)
Signal to Noise Ratio -75dB CEA-2006B (ref: 1W, A-weighted)



KICKER will now provide a three-year warranty with all KXM-Series Amplifier purchases paired with *qualifying* KICKER Installation Accessories.

This extends the standard warranty by an additional year. *Amplifier must be purchased from an **Authorized KICKER Dealer**.*

KICKER KXM amplifier success is currently at an unheard-of rate, making the extended warranty program even more beneficial to you.

Using poor-quality, under-spec wiring will impede KXM amplifier performance.

A superior-quality installation is guaranteed to extend the life of KXM amplifiers.

The new extended warranty applies only to KICKER amplifiers and accessories sold to consumers by Authorized KICKER Dealers in the United States of America or its possessions. It also only applies to the original purchaser of KICKER amplifiers and accessories. One warranty extension per amplifier is allowed. This program does not apply to "B"-stock product or factory-refurbished product.

This offer is for a limited time, so see your local Authorized KICKER Dealer soon for details.

***U.S.A. Only | EE.UU. solamente | Nur USA | Les USA Seulement**



MODELOS: KXM400.2

Distribuidor autorizado de KICKER: _____

Fecha de compra: _____

Número de serie del amplificador: _____

RENDIMIENTO

Modelo:	KXM400.2
Alimentación RMS	
@ 14.4V, 4Ω stereo, ≤ 1% THD+N	100W x 2
@ 14.4V, 2Ω stereo, ≤ 1% THD+N	200W x 2
@ 14.4V, 4Ω mono, ≤ 1% THD+N	400W x 1
Longitud pulg. [cm]	9 9/16 [24.4]
Altura in [cm]	2 3/16 [5.5]
Ancho pulg. [cm]	8 5/16 [21]
Respuesta de frecuencia ± 1dB	10Hz–20kHz
Relación señal a ruido	>95dB, ponderación AU, a potencia nominal
Sensibilidad de entrada	Bajo nivel: 125mV–5V Alto nivel: 250mV–10V
Separador de frecuencias electrónico	Off Variable HP, 10-500Hz Variable LP, 40-500Hz; 400Hz–5,000Hz con 10X interruptor Pendiente: 24dB/Octava
Potenciador de graves	0-18dB @ 40Hz

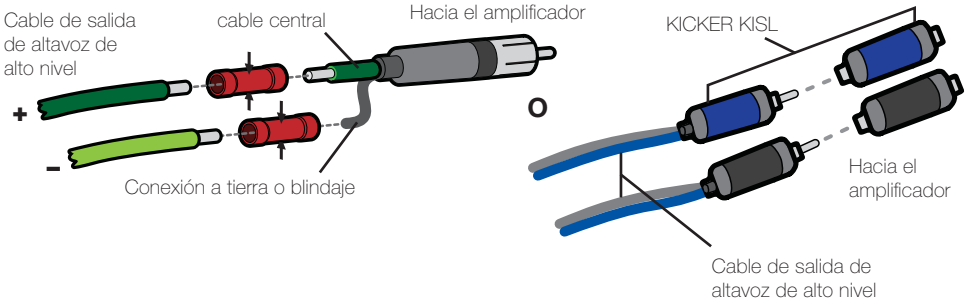
Nota: Para obtener el mejor rendimiento de sus nuevos amplificadores KICKER, le recomendamos que use accesorios y cableado KICKER auténticos.

INSTALACIÓN

Montaje: Elija una ubicación seca y en buenas condiciones estructurales para montar su amplificador KICKER. Asegúrese de que no exista ningún elemento detrás del área donde se van a colocar los tornillos. Elija una ubicación que permita al menos 4" (10 cm) de ventilación abierta para el amplificador. Taladre cuatro orificios utilizando una broca de 7/64" (3 mm) y utilice los tornillos N.º 8 suministrados para montar el amplificador.

Cableado: Desconecte la batería del vehículo para evitar un cortocircuito eléctrico. El amplificador KXM posee entradas RCA diferenciales de doble sensibilidad que recibirán señales de alto o bajo nivel desde su fuente de energía. Una señal de alto nivel puede emitirse desde las salidas del parlante de la fuente de energía a la entrada RCA del estéreo en el panel lateral del amplificador utilizando el KICKER KISL como se muestra (asegúrese de ajustar el interruptor de nivel de entrada del amplificador en "HI"). Como alternativa, la señal se puede emitir al amplificador utilizando las salidas RCA de bajo nivel en la fuente de energía. Ajuste el interruptor de nivel de entrada en el panel lateral del amplificador en "LO". Cualquier método de entrada emitirá una señal de salida

de bajo nivel en la salida RCA, la cual pasará la señal de audio a otro amplificador o componente. Mantenga el cable de señal de audio lejos de arneses de conexión de fábrica y de otros cables eléctricos. En caso de que necesite cruzar este cableado, hágalo a un ángulo de 90 grados desde las salidas del parlante de alto nivel de la fuente de energía



Instale un fusible a 7" (18 cm) de la batería y en línea con el cable de alimentación conectado a su amplificador. Conecte el conductor de tierra al amplificador, luego conéctelo al terminal negativo de la batería. Si alguna vez necesita retirar el amplificador del vehículo luego de haberse instalado, el conductor de tierra debe ser el último cable que se desconecte del amplificador: simplemente lo opuesto a lo que hizo cuando lo instaló.

Modelo

KXM400.2

Fusible Externo (no incluido)

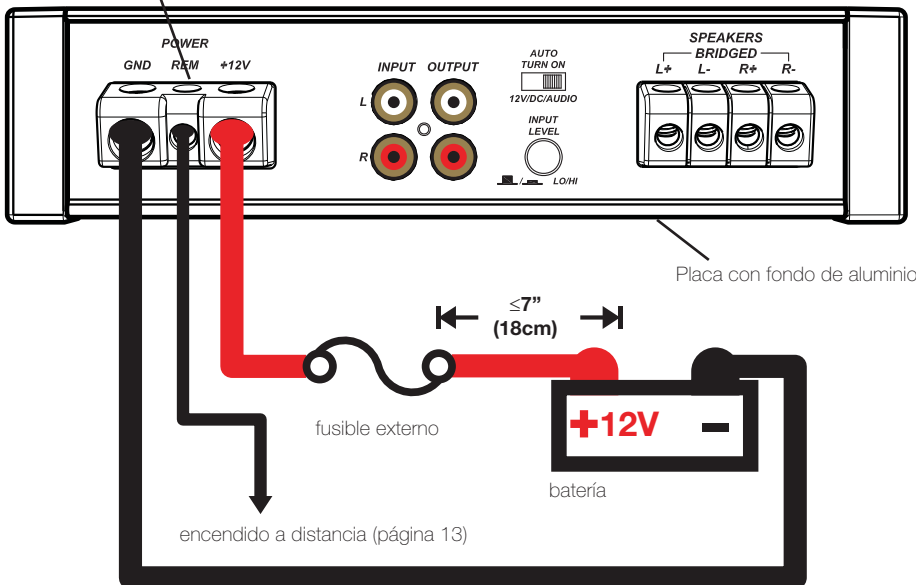
1 x 60A

Cable de Alimentación y Conexión a Tierra

Calibre 4

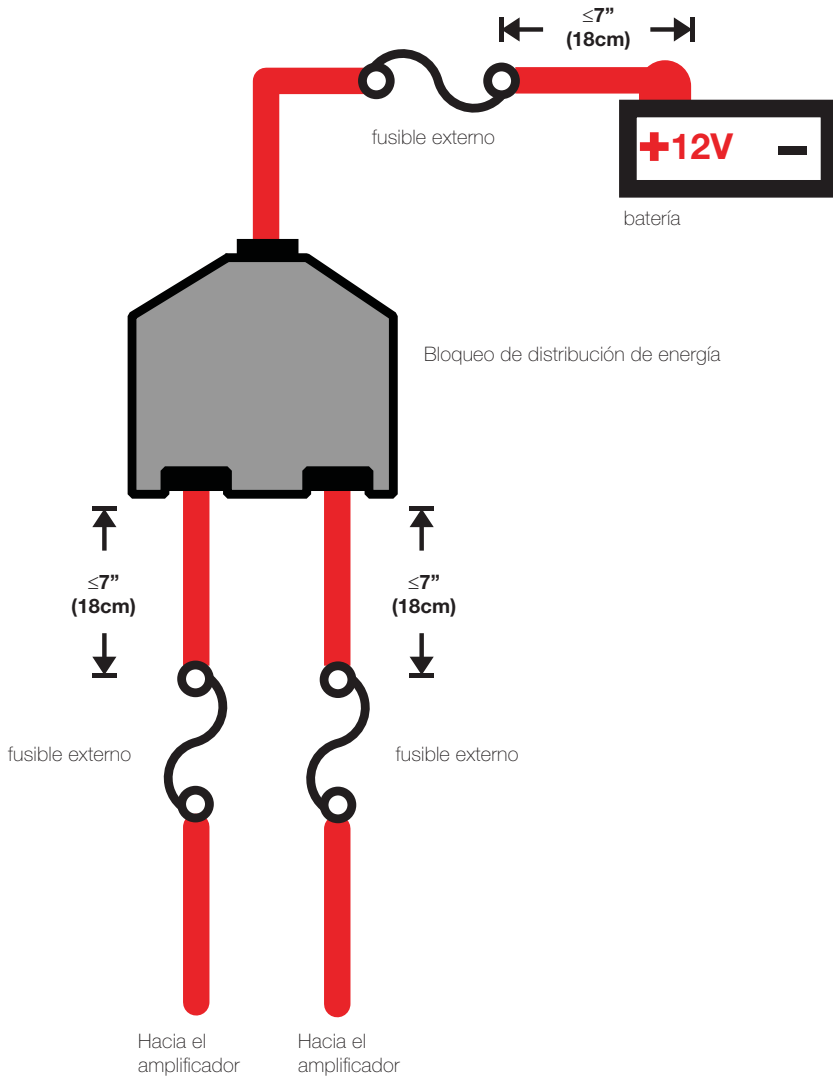
Terminales de energía aprobados por ABYC

El amplificador utiliza tornillos de acero inoxidable tipo 304 y placa de circuito impreso con recubrimiento conformado para una mayor resistencia al clima.



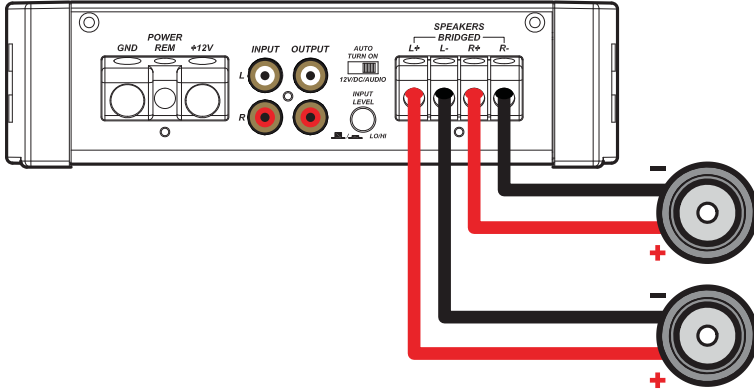
Para varias instalaciones de amplificadores donde se utilizan bloques de distribución, cada amplificador debe poseer su fusible de grado apropiado, o interruptor, instalado entre el amplificador y el bloque de distribución a siete pulgadas del bloque, o sobre el bloque de distribución si admite fusibles. El principal cable de alimentación también debe fusionarse entre la batería y el bloque de distribución, a siete pulgadas del terminal B+ de la batería, con un fusible o interruptor con una clasificación al menos de la suma de los valores individuales del fusible del amplificador, pero que no supere 1,5 veces la suma de los valores individuales del fusible (que no supere la ampacidad del aislamiento térmico del cableado como se demuestra en U.S.C.G. CFR33 183.425, Tabla 5). Vea el siguiente diagrama.

NOTA: Siete pulgadas es la distancia estándar según la Guardia Costera de los Estados Unidos, CFR33, para la colocación de fusibles o interruptores como lo requiere la ley para la fabricación de nuevos barcos. Recomendamos cumplir con este estándar en caso de ser instalado por el consumidor. El no hacerlo no significa que no cumple con la ley, pero pone en riesgo la seguridad de su barco y de los pasajeros en caso de cortocircuito eléctrico.



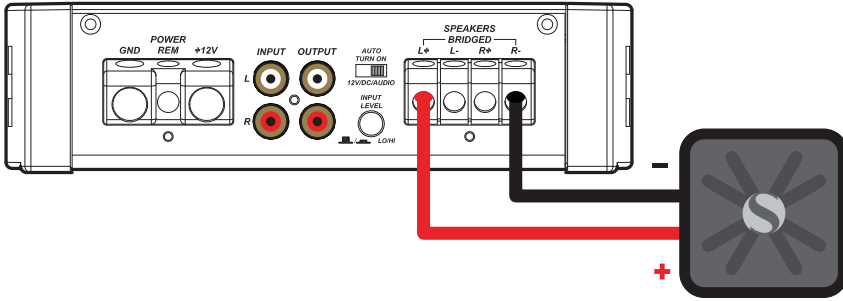
FUNCIONAMIENTO POR DOS CANALES (ESTEREOFÓNICO)

impedancia mínima de 2 ohmios por canal en estereofónico



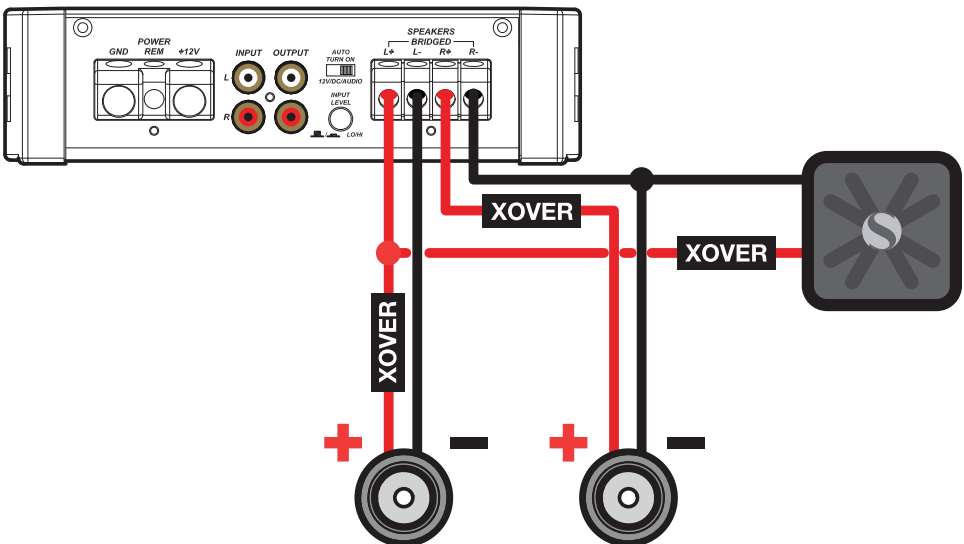
FUNCIONAMIENTO EN PUENTE (MONOFÓNICO)

impedancia mínima de 4 ohmios en puente



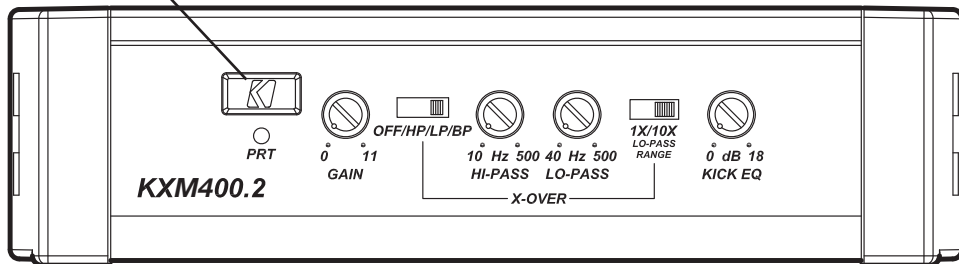
FUNCIONAMIENTO SIMULTÁNEO EN ESTEREOFÓNICO Y MONOFÓNICO

impedancia mínima de 4 ohmios en monofónico y 2 ohmios por canal en estereofónico simultáneamente



FUNCIONAMIENTO

El Mini-USB es únicamente para uso interno: NO lo retire o manipule. KICKER no se responsabiliza por aquel daño al equipo que resultare de las conexiones realizadas en este puerto.



Utilice una llave hexagonal de 3 mm para retirar la cubierta del panel lateral

Selección de Encendido Automático: El modelo KXM ofrece tres modalidades de encendido automático que se pueden seleccionar en el panel de extremo: +12V, compensación de CC y audio. Las modalidades de audio o compensación de CC dan +12V a la terminal REM para encender otros amplificadores.

- Encendido a Distancia: Ponga el selector en +12V para usar el conductor de encendido a distancia de la unidad fuente. Instale cable calibre 18 desde el conductor de encendido a distancia de la unidad fuente hasta la terminal etiquetada REM entre las terminales de alimentación positiva y negativa del amplificador. Este es el método de encendido automático preferido.
- Encendido por Compensación de CC: Si el encendido a distancia no es posible, la siguiente opción preferible es DC Offset. En la modalidad de compensación de CC, el amplificador detecta una subida de 6V de las salidas de altavoz de alto nivel cuando la unidad fuente se ha encendido.
- Encendido por Detección de Señal: La modalidad de este es la opción final de encendido automático. Este es un método de encendido en que el amplificador detecta la señal de audio procedente de la unidad fuente y se enciende automáticamente. Este método de encendido no funciona correctamente si el control de amplificación de entrada no se ha fijado correctamente.

Nivel de Entrada: Las entradas RCA de los amplificadores KXM de KICKER aceptan señales de bajo nivel o alto nivel procedentes de la unidad fuente. Si la única salida disponible de la unidad fuente es una señal de alto nivel, oprima y deje adentro el selector de nivel de entrada del amplificador. En la sección de cableado de este manual hay más instrucciones.

Control de Amplificación de Entrada: El control de amplificación de entrada no es un control de volumen. El control de amplificación de entrada hace que la salida de la fuente corresponda al nivel de entrada del amplificador. Suba el volumen de la unidad fuente a $\frac{3}{4}$ (si la unidad llega a 30, súbale el volumen a 25). A continuación, suba lentamente la amplificación (girando el control en el sentido de las manecillas del reloj) hasta que pueda oír distorsión, luego bájele un poquito.

Control de filtro con interruptor de frecuencia multiplicadora: El filtro variable del lado del amplificador le permite configurar el filtro en [OFF] (DESCONECTADO), [HI-PASS] (PASO ALTO), [LO-PASS] (PASO BAJO) o [BAND-PASS] (PASO DE BANDA) en frecuencias que van de 10Hz a 5.000Hz. La configuración para este control es subjetiva. En la mayoría de las aplicaciones donde se usa un filtro BAND-PASS, el interruptor del multiplicador de frecuencia se ajustará en un factor de 10X.

Control de intensificación de bajos KICK EQ: El control variable de intensificación de bajos en el lado del amplificador KXM400.2 está diseñado para brindarle una salida incrementada de 0 a 18dB, a 40Hz. La configuración para este control es subjetiva. Si se lo sube, deberá reajustar el control de ganancia de la entrada para evitar el recorte del amplificador.

RESOLUCIÓN DE PROBLEMAS

Si su amplificador parece no estar funcionando, revise lo obvio primero: fusibles quemados, conexiones malas o incorrectas, posición incorrecta de los selectores de crossover y amplificación, etc. Su amplificador modelo KXM de KICKER cuenta con un LED de protección (PRT) en el panel de alimentación lateral. Dependiendo del estado del amplificador y del sistema de carga del vehículo, los LED se iluminarán en rojo o se apagará.

¿El indicador luminoso LED de “protection” destella con la música fuerte? El indicador luminoso LED rojo indica que hay bajo voltaje de batería o una carga ilegal. Revise todas las conexiones del sistema de carga eléctrica del vehículo. Puede ser necesario cambiar o cargar la batería del vehículo o cambiar el alternador del vehículo.

¿El indicador luminoso LED de “protection” está encendido y no hay salida? ❶ El amplificador está muy caliente = Se ha activado el circuito de protección térmica. Con un medidor VOM, compruebe que las terminales de altavoz tengan la impedancia correcta (vea en este manual los diagramas que contienen datos de impedancia mínima recomendada y sugerencias de cableado de varios altavoces). Asegúrese también de que haya un flujo de aire adecuado alrededor del amplificador. ❷ El amplificador se apaga sólo cuando el vehículo está en marcha = Se ha activado el circuito de protección contra sobrevoltaje. El voltaje al amplificador no está dentro del intervalo de funcionamiento de 10V a 16V. Haga inspeccionar el sistema eléctrico y de carga eléctrica del automóvil. ❸ El amplificador sólo funciona a bajo volumen = Se ha activado el circuito de protección contra cortocircuitos. Asegúrese de que los cables de los altavoces no estén en cortocircuito entre sí o con el chasis del vehículo. Vea si hay altavoces dañados o funcionando a menos de la impedancia mínima recomendada.

¿No hay salida de uno de los canales? ❶ Revise el control de balance de la unidad fuente. ❷ Revise las conexiones RCA (o de entrada de altavoz) y de salida de altavoz del canal.

¿Hay ruido sibilante de alternador asociado a las RPM del motor? ❶ Vea si hay algún cable RCA (o de entrada de altavoz) dañado. ❷ Revise el encaminamiento del cable RCA (o de entrada de altavoz). ❸ Vea si la unidad fuente tiene conexión a tierra apropiada. ❹ Revise las configuraciones de amplificación y bájeles si están muy altas.

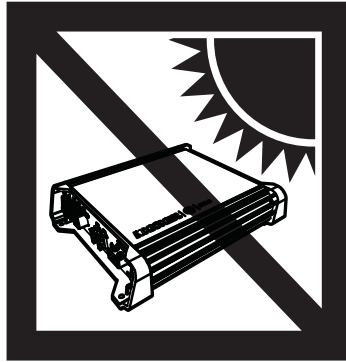
¿Hay baja respuesta de bajos? Invierta la conexión de uno de los altavoces de positiva a negativa en los canales estéreo y/o de subwoofer; si los bajos mejoran, el altavoz estaba fuera de fase.

¿Hay ruido de conexión a tierra? En un barco u otra embarcación, el ruido del alternador o el ruido del circuito subterráneo por lo general se debe a una posible diferencia de voltaje, y puede suceder en la parte positiva o subterránea del cableado eléctrico. El problema más común es que el cableado del sistema de audio se suministre desde dos distintas ubicaciones y, por lo tanto, se encuentre a dos diferentes voltajes. La energía de la unidad de control por lo general proviene del arnés eléctrico del timón, mientras que la energía del amplificador proviene directamente de la batería. Los cables del timón producen mucho ruido debido a los tacómetros (el culpable más común del ruido del motor), los sonares y las computadoras que manejan el motor. El conductor de tierra del timón generalmente es demasiado pequeño para que se cargue completamente. Como resultado, los cables de tierra y positivos usualmente se encuentran en distintos voltajes en comparación con el cableado eléctrico del amplificador.

La forma más sencilla de deshacerse del ruido es asegurarse de que el cable de tierra y positivo de la unidad de control tengan exactamente el mismo voltaje que el/los amplificador/es. La forma más sencilla de lograrlo es retirar el cableado eléctrico de la unidad de control de conexión eléctrica del timón, moverlo directamente a la batería o a los terminales de energía del amplificador, con un cable positivo que se extienda a través de un interruptor o relé de conmutación para que el sistema se pueda encender o apagar.

PRECAUCIÓN: Cuando haga arrancar el vehículo con cables de arranque conectados a una batería externa, asegúrese de que las conexiones de los cables de arranque sean correctas. Conectar los cables de arranque de manera incorrecta puede quemar los fusibles del amplificador y causar fallas en otros sistemas del vehículo.

Si tiene más preguntas sobre la instalación de su nuevo producto KICKER, vaya al distribuidor autorizado de KICKER donde lo compró. Si necesita más consejos sobre la instalación, haga clic en la lengüeta SUPPORT (apoyo) de la página Web de KICKER, www.kicker.com. Escoja la lengüeta TECHNICAL SUPPORT (apoyo técnico), escoja el tema que le interese y luego descargue o vea la información correspondiente. Envíe un mensaje por correo electrónico a support@kicker.com o comuníquese con Servicios Técnicos llamando al (405) 624-8583 si tiene preguntas específicas o a las cuales no haya encontrado respuesta.



KXM400.2

100 x 2 @ 4 ohmios, 14.4VCC, 1% THD, CEA-2006B (W)
Relación de Señal a Ruido -75dB CEA-2006B (ref: 1W, ponderado en A)

MODELL: KXM400.2

Autorisierter KICKER-Händler: _____

Kaufdatum: _____

Verstärker-Seriennummer: _____

LEISTUNG**Modell:****KXM400.2**

RMS-Leistung

@ 14,4V, 4Ω stereo, ≤ 1% Gesamtklirrfaktor

100W x 2

@ 14,4V, 2Ω stereo, ≤ 1% Gesamtklirrfaktor

200W x 2

@ 14,4V, 4Ω mono, ≤ 1% Gesamtklirrfaktor

400W x 1

Länge | Zoll [cm]

9 9/16 [24,4]

Höhe | Zoll [cm]

2 3/16 [5,5]

Breite | Zoll [cm]

8 5/16 [21]

Frequenzkurve ± 1 dB

10Hz–20kHz

Signal-Rausch-Verhältnis

>95 dB bewerteter Schalldruckpegel bei Nennleistung

Eingangsempfindlichkeit

Niedriger Pegel: 125mV – 5V

Hoher Pegel: 250mV – 10V

Elektronischer Trennfrequenzregler

Off

Variabler HP, 10-500Hz

Variabler LP, 40-500Hz; 400Hz–5,000Hz mit 10X Schalter

Slope: 24dB/Oktave

Bass-Boost

0-18dB @ 40Hz

Hinweis: Um das Maximum aus Ihrem neuen KICKER-Verstärker herauszuholen, sollten Sie echtes KICKER-Zubehör und KICKER-Kabel verwenden.

INSTALLATION

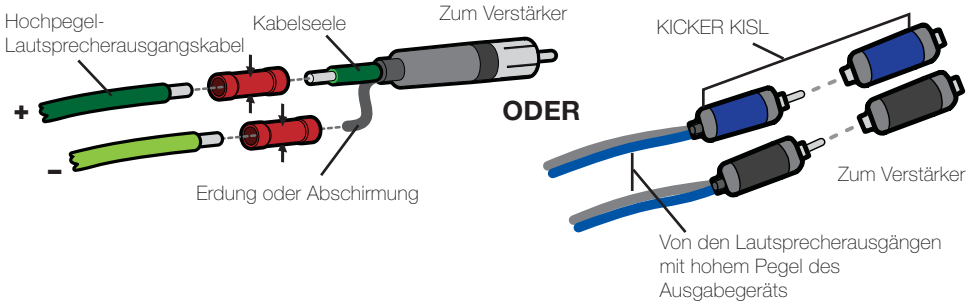
Befestigung: Wählen Sie für die Anbringung Ihres KICKER Verstärkers einen trockenen, stabilen Platz.

Vergewissern Sie sich, dass sich keine Objekte hinter dem für die Schrauben vorgesehenen Bereich befinden.

Wählen Sie einen Platz, der dem Verstärker mindestens 10 cm (4 Zoll) freie Belüftung bietet. Bohren Sie vier Löcher mit einem Bohreinsatz von 3 mm (7/64 Zoll) und befestigen Sie den Verstärker mithilfe der mitgelieferten #8 Schrauben.

Anschluss: Trennen Sie die Verbindung zur Batterie des Fahrzeugs, um Kurzschlüsse zu vermeiden. Der KXM-Verstärker verfügt über Cinch-Eingänge mit zwei verschiedenen Eingangsempfindlichkeiten, die Signale mit hohem oder niedrigem Pegel von Ihrem Ausgabegerät verarbeiten können. Ein Signal mit hohem Pegel kann vom Lautsprecherausgang des Ausgabegeräts zum Stereo-Cinch-Eingang an der Anschlussseite des Verstärkers geleitet werden. Verwenden Sie hierzu den KICKER KISL wie angezeigt (vergewissern Sie sich, dass der Eingangspegel des Verstärkers auf „HI“ gestellt ist). Alternativ kann das Signal von den Cinch-Ausgängen mit

niedrigem Pegel am Ausgabegerät zum Verstärker geleitet werden. Stellen Sie den Eingangspegel-Wahlschalter an der Anschlussseite des Verstärkers auf „LO“. Beide Anschlussmöglichkeiten produzieren ein Ausgangssignal mit niedrigem Pegel am Cinch-Ausgang, mit dem sich das Audiosignal effizient an einen anderen Verstärker oder eine andere Komponente weiterleiten lässt. Achten Sie darauf, dass das Kabel für das Audiosignal nicht mit dem Werkkabelstrang oder anderen Versorgungsleitungen in Verbindung kommt. Falls nötig, kreuzen Sie derartige Leitungen in einem Winkel von 90 Grad.



Installieren Sie eine Sicherung im Abstand von 18 cm (7 Zoll) von der Batterie und linear zur Versorgungsleitung Ihres Lautsprechers. Schließen Sie das Erdungskabel an den Verstärker an, und verbinden Sie dieses Kabel anschließend mit dem Minuspol der Batterie. Falls Sie den Verstärker nach dem Einbau wieder aus dem Fahrzeug entfernen möchten, sollte das Erdungskabel als letztes vom Verstärker getrennt werden – genau entgegengesetzt zum Einbau.

Modell

KXM400.2

Externe Sicherung (nicht inbegriffen)

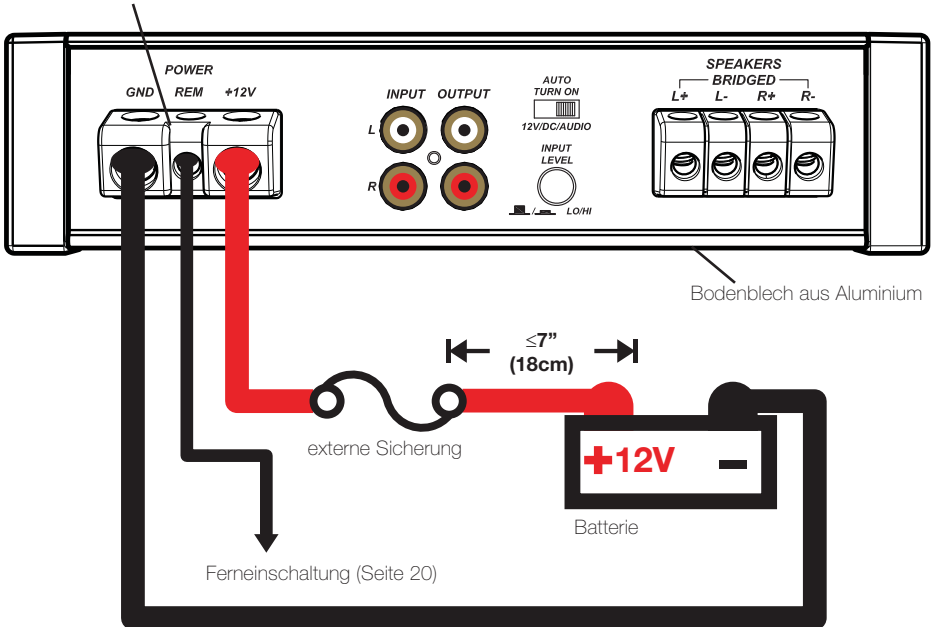
1 x 60 Ampere

Massekabel

4 GA

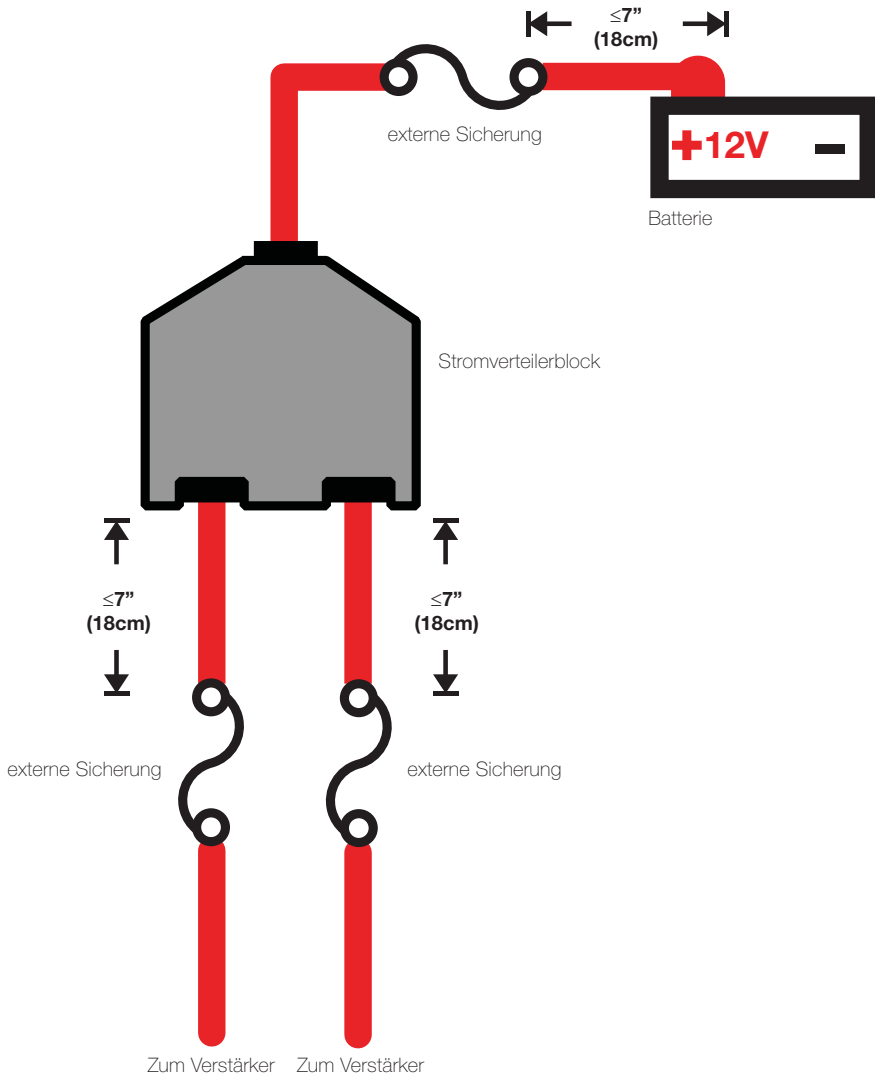
Die Leistungsklemmen entsprechen ABYC

Der Verstärker enthält Schrauben aus rostfreiem Stahl (Grad 304) und mit Schutzlack versehene Leiterplatten für erhöhte Witterungsbeständigkeit.



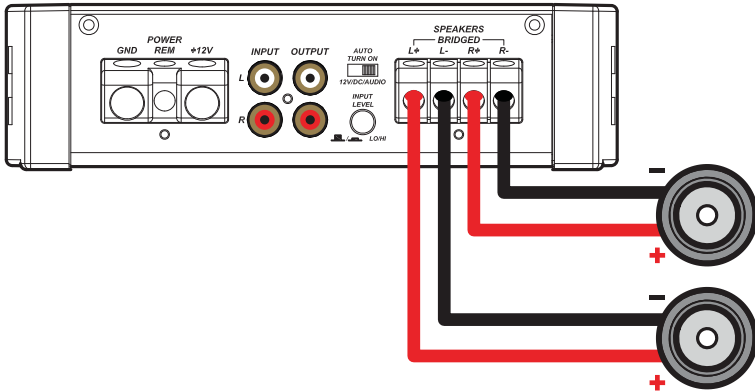
Beim Einbau mehrerer Verstärker unter Verwendung von Verteilerblöcken sollte jeder Verstärker eine ordnungsgemäß zugelassene Sicherung oder Stromunterbrechung haben, die zwischen Verstärker und Verteilerblock angebracht wird, in einer Entfernung von 18 cm (7 Zoll) vom Block bzw. auf dem Verteilerblock, falls dieser Platz für Überstromschutz bietet. Das Hauptstromkabel sollte ebenfalls zwischen Batterie und Verteilerblock gesichert werden, und zwar mit einem Abstand von 18 cm (7 Zoll) zum Pluspol der Batterie mit einer Sicherung oder Stromunterbrechung, die mindestens für die Summe der Sicherungswerte der einzelnen Verstärker zugelassen ist, jedoch die Summe der einzelnen Sicherungswerte nicht um das anderthalbfache überschreitet (um die Strombelastbarkeit der Kabelwärmedämmung nicht zu überschreiten, siehe U.S.C.G. CFR33 183.425, Tabelle 5). Beachten Sie das nachfolgende Diagramm.

BITTE BEACHTEN: 18 cm (7 Zoll) sind der Regelabstand für den Einbau von Sicherungen oder Stromunterbrechungen laut U.S. Coast Guard CFR3, wie er für den Bau neuer Boote vorgeschrieben ist. Wir raten dazu, diesen Standard auch bei Verbraucheranlagen einzuhalten. Die Nichtbeachtung stellt zwar keinen Gesetzesbruch dar, beeinträchtigt aber die Sicherheit Ihres Boots und Ihrer Passagiere, da die Gefahr eines Kurzschlusses der Versorgungsleitung besteht.



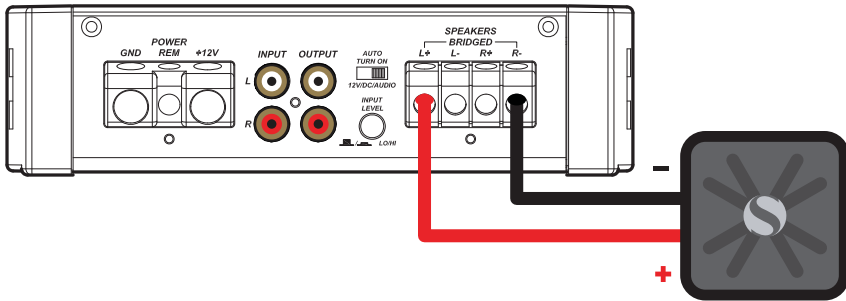
ZWEIKANALBETRIEB (STEREO)

Minimalimpedanz von 2 Ohm pro Kanal



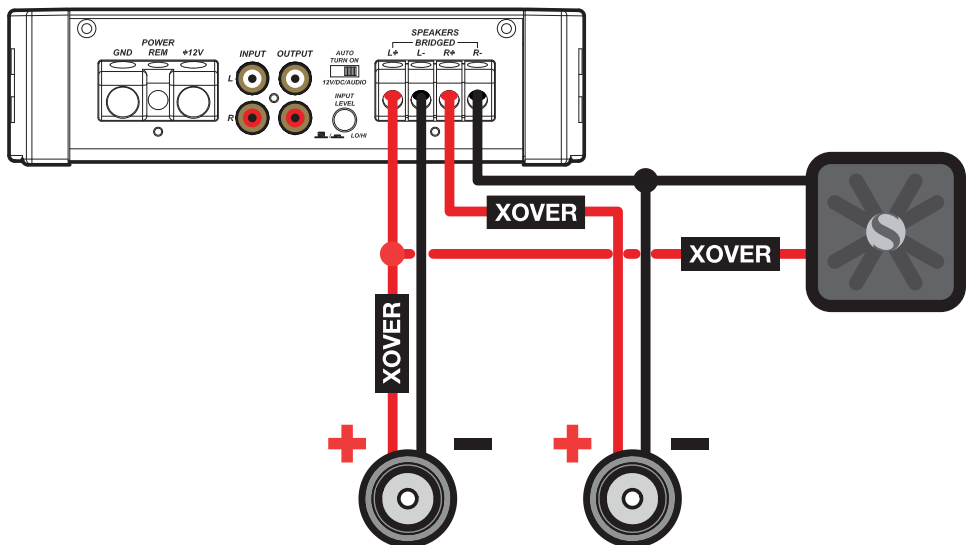
BRÜCKENBETRIEB (MONO)

Minimalimpedanz von 4 Ohm



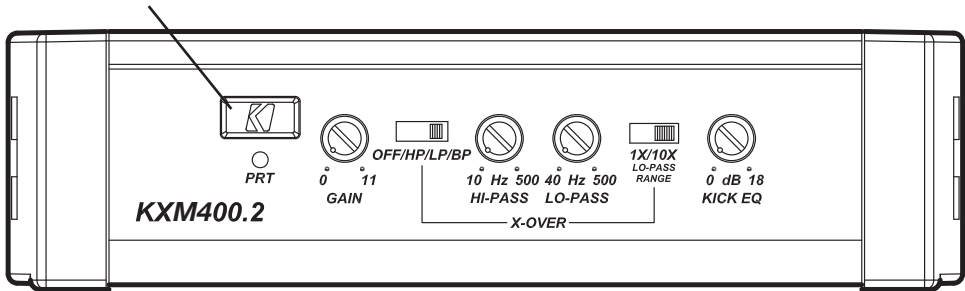
GLEICHZEITIGER STEREO- UND MONO-BETRIEB (SAMS)

Mindestimpedanz von 4 Ohm (Mono) bzw. 2 Ohm pro Kanal (Stereo) bei gleichzeitigem Betrieb



BETRIEB

Mini-USB nur für internen Gebrauch; NICHT entfernen oder manipulieren. KICKER ist nicht verantwortlich für eventuelle Schäden, die durch den Anschluss von Geräten an diese Buchse entstehen.



Verwenden Sie einen 3mm Inbusschlüssel, um die Seitenabdeckung zu entfernen

Automatische Einschaltung: Die KXM-Serie bietet drei verschiedene automatische Einschaltmethoden, die an der Endplatte gewählt werden können: +12V, DC Offset und Audio. Wenn Sie „DC Offset“ oder „Audio“ verwenden, wird am REM-Terminal +12V für das Einschalten weiterer Verstärker bereit gestellt.

- Remote Turn-On (Fernschaltung): Stellen Sie den Schalter auf +12V, um das vom Autoradio kommende Fernschaltungskabel zu verwenden. Verlegen Sie 18 GA-Kabel von der Fernschaltung an Ihrem Autoradio zum REM-Terminal zwischen den positiven und negativen Stromanschlüssen des Verstärkers. Das ist die bevorzugte automatische Einschaltungsmethode.
- DC Offset-Einschaltung: Wenn die Fernschaltung nicht möglich ist, wäre die nächstbeste Einstellung DC Offset. Der DC Offset-Modus entdeckt nach Einschalten des Autoradios einen 6-Volt-Anstieg an den Hochpegel-Lautsprecheranschlüssen.
- Signal Sense-Einschaltung: Die Einstellung Audio ist die letzte Alternative für die automatische Einschaltung. Bei dieser Methode wird ein vom Autoradio eintreffendes Audiosignal entdeckt und der Verstärker dann automatisch eingeschaltet. Wenn der Eingangsverstärkungsregler nicht korrekt eingestellt ist, funktioniert diese Methode nicht richtig.

Eingangspegel: Die RCA-Eingänge an KICKER KXM-Verstärkern können entweder Hoch- oder Niederpegelsignale vom Autoradio empfangen. Wenn nur ein H-Pegel-Signal vom Autoradio verfügbar ist, drücken Sie einfach den Schalter „Input Level“ am Verstärker. Weitere Hinweise finden Sie im Abschnitt „Anschluss“.

Eingangsverstärkungsregler: Der Eingangsverstärkungsregler ist kein Lautstärkereglern. Er passt den Ausgang des Autoradios an den Eingangspegel am Verstärker an. Stellen Sie das Autoradio auf etwa 3/4 der Lautstärke ein (wenn es also bis 30 geht, wählen Sie 25). Drehen Sie dann langsam den Verstärkungsregler am Verstärker (im Uhrzeigersinn), bis Sie eine hörbare Verzerrung feststellen. Drehen Sie ihn dann wieder etwas zurück.

Frequenzweichenregler mit Frequenzvervielfacher-Wahlschalter: Mit der variablen Frequenzweichenregelung an der Seite des Verstärkers kann die Frequenzweiche in Frequenzen zwischen 10 und 5.000 Hz auf AUS, HOCHPASS, TIEFPASS oder BANDPASS eingestellt werden. Die richtige Einstellung für diesen Regler ist Geschmackssache. Bei der Verwendung eines BANDPASS-Filters sollte der Frequenzvervielfacher-Schalter im Allgemeinen auf den Faktor 10X gesetzt werden.

KICK-EQ-Bass-Boost-Regler: Der variable Bass-Boost-Regler an der Seite des KXM400.2-Verstärkers bietet ein verstärktes Ausgangssignal bei 40 Hz zwischen 0 und 18 dB. Die Einstellung dieses Reglers ist Geschmackssache. Falls Sie diesen Wert erhöhen, sollten Sie den Eingangspegel entsprechend anpassen, um ein Clipping des Verstärkers zu vermeiden.

PROBLEMBEBEHUNG

Wenn der Verstärker nicht zu funktionieren scheint, sollten Sie zuerst offensichtliche Faktoren prüfen, wie durchgebrannte Sicherungen, schlechte oder fehlerhafte Verkabelung, inkorrekte Einstellung des Crossover-Schalters und der Verstärkungsregler etc. Am seitlichen Einschaltfeld des Kicker KXM-Verstärkers befinden sich eine Schutz-LED (PRT). Abhängig vom Einschaltzustand des Verstärkers und des Ladesystems des Fahrzeugs leuchten die LED-Anzeigen rot oder ab.

Schutz-LED (PRT) blinkt bei lauter Musik? Die rote (PRT) LED zeigt eine niedrige Batteriespannung an oder eine illegale Last.. Prüfen Sie alle Verbindungen im Ladesystem Ihres Fahrzeugs. Sie müssen eventuell die Fahrzeugbatterie aufladen oder ersetzen oder die Lichtmaschine auswechseln.

Schutz-LED (PRT) an, keine Ausgabe? ❶ Der Verstärker ist sehr heiß = Der Überhitzungsschutz ist aktiviert. Testen Sie den Widerstand an den Lautsprecheranschlüssen mit einem VOM-Messgerät (die Diagramme in dieser Anleitung zeigen die empfohlenen Mindestwiderstände und Vorschläge für den Anschluss mehrerer Lautsprecher). Prüfen Sie auch, ob der Verstärker ausreichende Lüftung hat. ❷ Der Verstärker schaltet sich nur während der Fahrt aus = Der Spannungsschutz ist aktiviert. Die Spannung am Verstärker liegt außerhalb des Betriebsbereichs von 10–16 Volt. Lassen Sie das Lade- und Elektriksystem des Fahrzeugs inspizieren. ❸ Der Verstärker erzeugt nur geringe Lautstärke = Die Kurzschluss-Sicherung ist aktiviert. Prüfen Sie, ob Lautsprecherkabel miteinander oder mit der Karosserie Kurzschlüsse erzeugen. Prüfen Sie, ob beschädigte oder unterhalb des Mindestwiderstands funktionierende Lautsprecher vorliegen.

Keine Ausgabe aus einem Kanal? ❶ Prüfen Sie den Balanceregler am Autoradio. ❷ Prüfen Sie die RCA- oder Lautsprechereingangskabel und -ausgänge für den Kanal.

Lichtmaschine erzeugt bei steigender Motordrehzahl heulendes Geräusch? ❶ Prüfen Sie, ob das RCA- oder Lautsprechereingangskabel defekt ist. ❷ Prüfen Sie den Verlauf des RCA- oder Lautsprechereingangskabels. ❸ Prüfen Sie, ob das Autoradio richtig geerdet ist. ❹ Prüfen Sie die Verstärkungseinstellungen und reduzieren Sie diese ggf.

Verringerte Basswiedergabe? Wechseln Sie einen Lautsprecheranschluss an den Stereo-/Subwooferkanälen von Positiv zu Negativ; wenn der Bass nun besser klingt, war der Lautsprecher phasenverschoben.

Störung durch Erdung? Störungen des Generators oder Massekreises führen auf Booten oder anderen Wasserfahrzeugen oftmals zu Schwankungen in der Versorgungsspannung. Diese können an der Plus- oder Erdleitung der Stromversorgung auftreten. Das häufigste Problem besteht darin, dass die Verkabelung des Stereosystems von zwei verschiedenen Orten her stammt und daher zwei verschiedene Spannungspotenziale aufweist. Das Hauptgerät bezieht seinen Strom normalerweise vom Kabelstrang des Steuerruders, während die Versorgung des Verstärkers direkt von der Batterie stammt. Die Kabelstränge des Steuerruders weisen zahlreiche Störungen auf, verursacht durch Tachometer (die Hauptquelle von motorbedingten Störungen), Echolot oder einem Computer zur Motorsteuerung. Die Erdung des Steuerruders ist oftmals zu klein für ihre Gesamtlast. Dies führt dazu, dass sowohl Plus- als auch Erdleitung meist ein anderes Spannungspotenzial aufweisen als die Stromversorgung des Verstärkers.

Die einfachste Methode zur Vermeidung von Störungen besteht darin, dafür zu sorgen, dass Plus- und Erdleitung des Hauptgeräts das exakt selbe Spannungspotenzial aufweisen wie der/die Verstärker. Dies lässt sich am unkompliziertesten bewerkstelligen, indem die Stromversorgung des Hauptgeräts vom Kabelstrang des Steuerruders getrennt und dieses direkt an die Batterie oder die Leistungsanschlüsse des Verstärkers angeschlossen wird, wobei die Plusleitung durch einen Schalter oder ein geschaltetes Relais geführt werden sollte, sodass sich das System ein- und ausschalten lässt.

ACHTUNG: Wenn Sie das Auto mit Starthilfekabel starten, müssen Sie sicherstellen, dass die Kabel korrekt angeschlossen sind. Falsche Anschlüsse können zu einem Durchbrennen der Verstärkersicherung und einem Ausfall anderer wichtiger Systeme im Fahrzeug führen.

Wenn Sie weitere Fragen zur Installation oder zum Betrieb Ihres neuen KICKER-Produkts haben, setzen Sie sich bitte mit Ihrem autorisierten KICKER-Fachhändler in Verbindung. Weitere Installationshinweise finden Sie, indem Sie auf der KICKER-Startseite (www.kicker.com) auf die Registerkarte SUPPORT klicken. Wählen Sie das Register TECHNICAL SUPPORT und dann das gewünschte Thema, um die entsprechenden Informationen anzuzeigen oder herunterzuladen. Wenn Sie spezifische oder nicht beantwortete Fragen haben, erreichen Sie den Kundendienst unter support@kicker.com oder telefonisch unter +1 (405) 624-8583.



KXM400.2

100 x 2 @ 4 ohms, 14,4V GS, 1% Klirrfaktor, CEA-2006B (Watts)
Rauschabstand -75dB CEA-2006B (ref: 1W, A-gewichtet)

MODÈLE: KXM400.2

Revendeur agréé KICKER : _____

Date d'achat : _____

Numéro de série de l'amplificateur : _____

PERFORMANCES**Modèle: KXM400.2**

Alimentation RMS

à 14,4V, 4Ω stereo, ≤ 1% THD+N 100W x 2

à 14,4V, 2Ω stereo, ≤ 1% THD+N 200W x 2

à 14,4V, 4Ω mono, ≤ 1% THD+N 400W x 1

Longueur | en [cm] 9 9/16 [24,4]

Hauteur | en [cm] 2 3/16 [5,5]

Largeur | en [cm] 8 5/16 [21]

Courbe de résonance ± 1dB 10Hz–20kHz

Rapport signal/bruit > 95 dB, pondération AU, à puissance nominale

Sensibilité d'Entrée

Niveau bas : 125 mV–5 V

Niveau élevé : 250mV-10V

Répartiteur électronique

Off

Variable HP, 10-500Hz

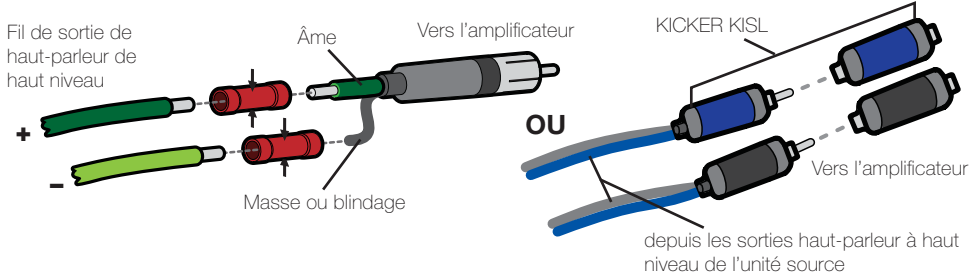
Variable LP, 40-500Hz; 400Hz–5,000Hz avec 10X sélecteur

Slope: 24dB/octave

Amplificateur de basses fréquences 0-18dB @ 40Hz

Remarque : Pour optimiser les performances de votre nouvel amplificateur KICKER, il est conseillé d'utiliser des accessoires et des câbles KICKER d'origine.**INSTALLATION****Montage:** Choisissez un endroit sec, d'assise solide pour installer votre amplificateur KICKER. Assurez-vous qu'aucun objet ne soit présent derrière la zone où les vis seront insérées. Choisissez un emplacement permettant un espace de ventilation d'au moins 10 cm pour l'amplificateur. Percez quatre trous en utilisant un foret de 3 mm et les vis #8 fournies pour installer l'amplificateur.

Câblage: Débranchez la batterie du véhicule pour éviter un court-circuit. L'amplificateur KXM dispose de connecteurs d'entrée RCA à double sensibilité qui pourront recevoir des signaux à niveau bas ou haut provenant de la source. Un signal de haut niveau peut être amené depuis la sortie haut-parleur de la source vers le connecteur RCA stéréo en entrée sur le panneau d'extrémité de l'amplificateur grâce au KICKER KISL comme il est présenté (assurez-vous de régler l'interrupteur du niveau d'entrée de l'amplificateur KXM sur « HI »). Sinon, le signal peut être acheminé vers l'amplificateur en utilisant les sorties RCA de faible niveau sur l'unité source. Réglez alors l'interrupteur de niveau d'entrée sur le panneau d'extrémité de l'amplificateur sur « LO ». L'une ou l'autre méthode en entrée fournira un signal en sortie de faible niveau sur le connecteur RCA de sortie, ce qui transmettra efficacement le signal audio vers un autre amplificateur ou composant. Gardez les câbles de signal audio en dehors de tout faisceau de câbles d'assemblage et d'alimentation. Si vous devez croiser ce câblage, faites-le à angle droit.

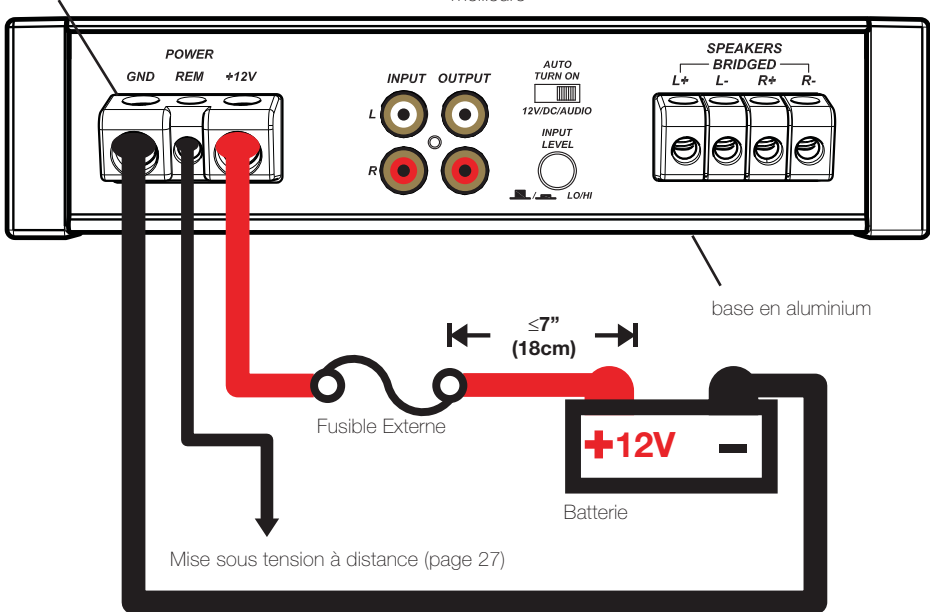


Placez un fusible à moins de 18 cm de la batterie et en ligne avec le câble d'alimentation relié à votre amplificateur. Reliez la prise de terre à l'amplificateur puis reliez ce câble à la borne négative de la batterie. Si jamais vous devez retirer l'amplificateur du véhicule après installation, la prise de terre doit être le dernier câble débranché de l'amplificateur (exactement à l'inverse de son installation).

Modèle	Fusible Externe (non inclus)	Fil de Masse / Alimentation
KXM400.2	1 x 60 Ampères	Calibre 4

terminaisons conformes ABYC

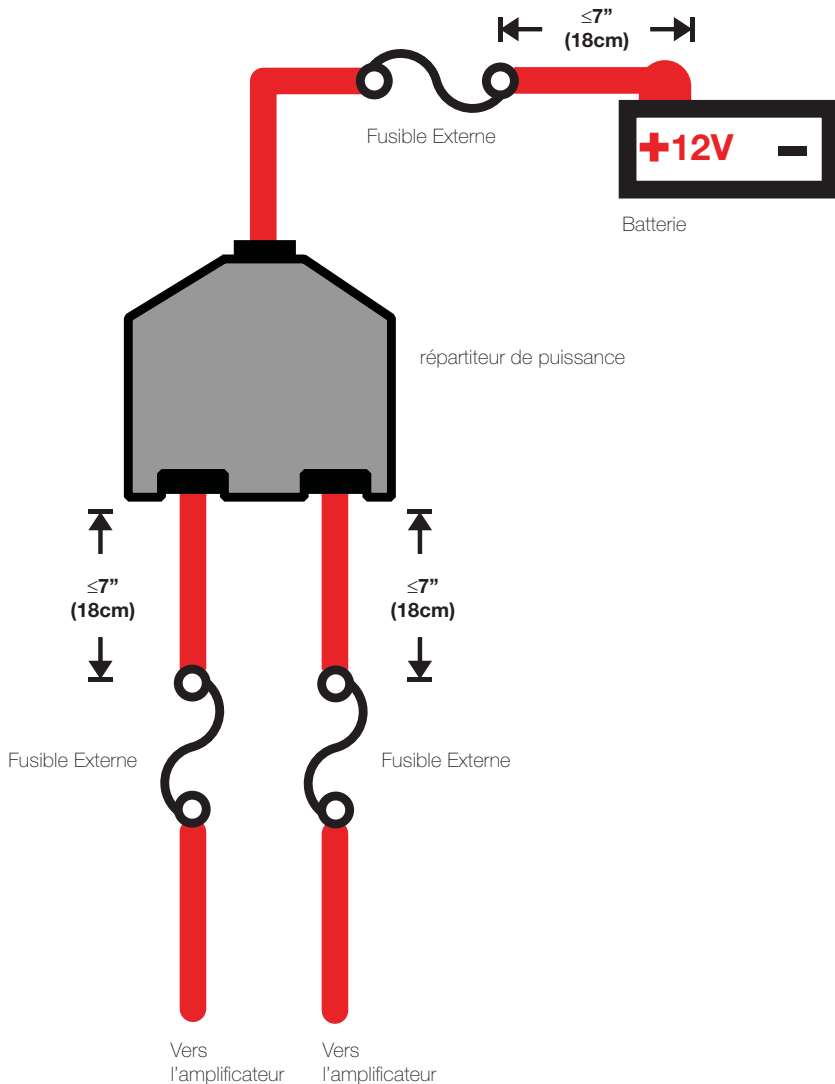
L'amplificateur utilise des vis en acier inoxydable 304 et des circuits imprimés à revêtement conforme pour une meilleure



Mise sous tension à distance (page 27)

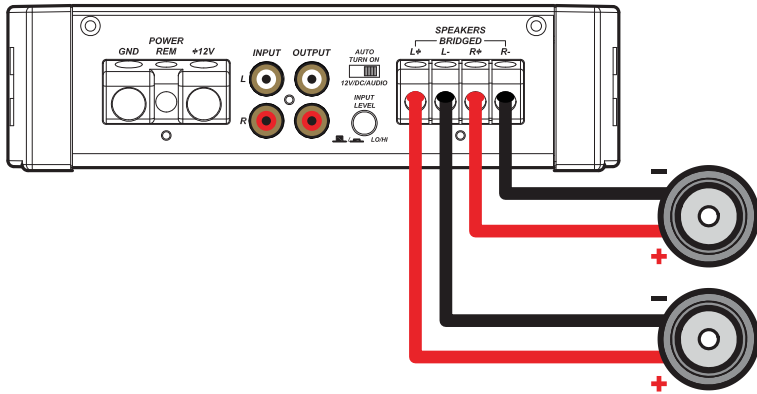
Pour des installations à plusieurs amplificateurs où des répartiteurs sont mis en œuvre, chaque amplificateur doit avoir son propre fusible correctement calibré, ou un coupe-circuit, installé entre l'amplificateur et le répartiteur à moins de 18 cm du répartiteur ou sur le répartiteur lui-même s'il sert de fusible. Un fusible doit aussi être installé sur le câble d'alimentation principal entre la batterie et le répartiteur, à moins de 18 cm (sept pouces) de la borne B+ de la batterie, avec un fusible ou un coupe-circuit de calibre au moins égal à la somme des valeurs individuelles des fusibles de l'amplificateur, mais ne dépassant pas 1,5 fois la somme des valeurs individuelles des fusibles (sans dépasser l'intensité électrique de l'isolation thermique du câblage comme présenté dans le tableau 5 de la norme U.S.C.G. CFR33 183.425). Voir le diagramme ci-dessous.

NOTE : 18 cm (sept pouces) est la distance standard selon la norme U.S. Coast Guard CFR33 pour l'installation de fusibles ou coupe-circuit imposée par la loi pour la construction de bateaux neufs. Nous vous recommandons de suivre cette norme dans les installations grand public. Ne pas la suivre ne constitue pas une infraction à la loi, mais met en risque la sécurité de votre embarcation et de vos passagers en cas de court-circuit électrique.



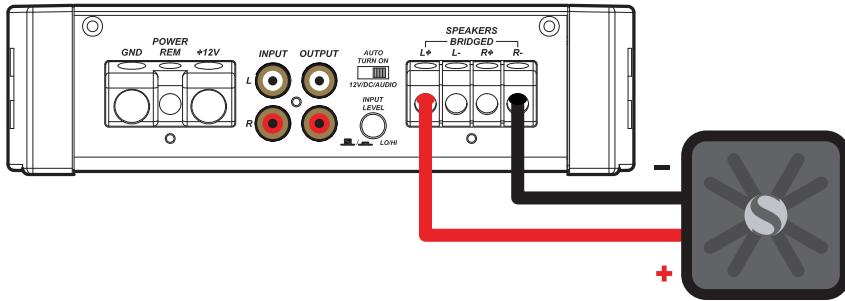
FONCTIONNEMENT À STÉRÉO

impédance minimum de 2 ohms par canal



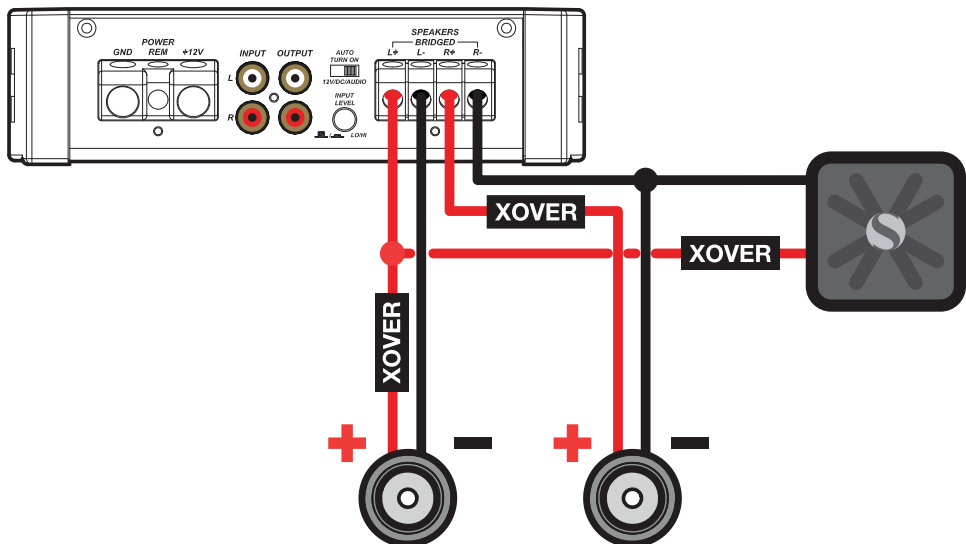
FONCTIONNEMENT PONTÉ (MONO)

impédance minimum de 4 ohms



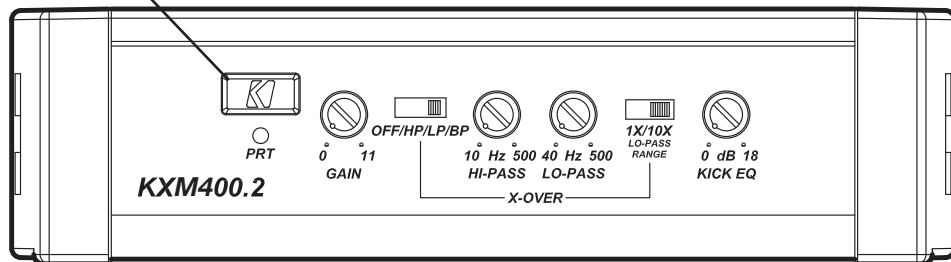
FONCTIONNEMENT SIMULTANÉ STÉRÉO ET MONO (SAMS)

impédance minimum simultanément de 4 ohms en mono et 2 ohms par canal en stéréo



UTILISATION

Mini-USB pour usage interne uniquement ; NE PAS retirer ni modifier. KICKER n'est pas responsable de tout dommage matériel résultant de connexions à ce port.



Utilisez une clé hexagonale de 3 mm pour enlever le couvercle du panneau de côté

Sélection de Mise sous Tension Automatique : La série KXM est dotée de trois modes différents de mise sous tension automatique pouvant être sélectionnés au panneau d'extrémité de l'amplificateur : +12V, DC Offset (décalage c.c.) et Audio. L'utilisation du mode DC Offset ou Audio permet à la borne REM d'avoir une sortie de +12 V pour des amplificateurs supplémentaires.

- Mise sous Tension à Distance : Réglez le commutateur sur +12V afin d'utiliser le fil de mise sous tension à distance à partir de votre appareil source. Faites passer un fil de calibre 18 à partir du fil de mise sous tension à distance sur votre appareil source jusqu'à la borne étiquetée REM entre la borne négative et la borne positive d'alimentation de l'amplificateur. Il s'agit de la méthode préférée de mise sous tension automatique.
- Mise sous Tension en Mode DC Offset : Si l'option de mise sous tension précédente n'est pas possible, le meilleur réglage est DC Offset. Le mode DC Offset détecte une surtension de 6 volts en provenance des sorties de haut-parleur de niveau haut (HI) quand l'appareil source a été mis en marche.
- Activation de la Détection du Signal : Le paramètre Audio est la troisième solution pour la mise sous tension automatique. Cette méthode est basée sur la détection du signal audio entrant à partir de l'appareil source, permettant la mise sous tension automatique de l'amplificateur. Cette activation ne fonctionne correctement que si la commande du gain d'entrée est correctement réglée.

Niveau d'Entrée : Les entrées RCA sur les amplificateurs KICKER KXM acceptent les signaux de niveaux haut et bas à partir de votre appareil source. Si votre appareil source n'est doté que d'une sortie de signal haut niveau, appuyez simplement sur le commutateur de niveau d'entrée sur l'amplificateur. Voir la section sur le câblage de ce manuel pour d'autres instructions.

Commande du Gain d'Entrée : La commande du gain d'entrée n'est pas une commande de volume. Elle fait correspondre la sortie de l'appareil source au niveau d'entrée de l'amplificateur. Réglez l'appareil source à environ ¼ du volume (si le réglage de l'appareil source va jusqu'à 30, réglez à 25). Ensuite, augmentez lentement le gain de l'amplificateur en faisant tourner le bouton (dans le sens des aiguilles d'une montre) jusqu'à produire une distorsion audible, puis baissez un peu le gain.

Répartiteur avec commutateur de multiplicateur de fréquence : Le répartiteur variable sur le côté de l'amplificateur vous permet de régler le filtre sur OFF, HI-PASS, LO-PASS ou PASSE-BANDE à des fréquences de 10Hz à 5 000Hz. Le réglage de cette commande est subjectif. Dans la plupart des applications où un filtre passe-bande est utilisé, le commutateur de multiplicateur de fréquence sera fixé à un facteur de 10X.

Contrôle KICK EQ Bass Boost : Le contrôle d'impulsion des basses variable sur le côté de l'amplificateur KXM400.2 est conçu pour vous donner plus de sortie de 0 à 18dB, à 40Hz. Le réglage de cette commande est subjectif. Si vous l'activez, vous devez ajuster le gain d'entrée pour éviter l'écrêtage de l'amplificateur.

EN CAS DE DIFFICULTÉ

Si votre amplificateur ne marche pas, vérifiez d'abord les possibilités évidentes comme les fusibles sautés, les branchements incorrects ou desserrés, le mauvais réglage des commandes de gain et du commutateur du filtre etc. Se présentent également des de protection DEL (PRT) sur le panneau d'alimentation latéral de votre amplificateur KICKER de série KXM. Selon l'état de l'amplificateur et le système de charge du véhicule, les DEL clignotent en rouge ou éteindre.

DEL du « protection » clignotante lorsque le volume de la musique est élevé ? La DEL rouge (PRT) indique une tension faible de la batterie ou une charge illégale. Vérifiez tous les branchements du système de charge de votre véhicule. Le remplacement ou la recharge de la batterie (ou encore le remplacement de l'alternateur) de votre véhicule peut s'avérer nécessaire.

DEL du « protection » allumée, aucune sortie ? ❶ L'amplificateur est très chaud = La protection thermique est engagée. Testez l'impédance aux bornes des haut-parleurs en utilisant un volt/ohmmètre (voir les schémas de ce manuel pour des recommandations sur l'impédance minimum et diverses suggestions de câblage pour les haut-parleurs). Vérifiez également qu'il existe une circulation d'air adéquate autour de l'amplificateur. ❷ L'amplificateur ne s'arrête que lorsque le véhicule est en marche = La protection de tension est engagée. La tension à l'amplificateur ne se situe pas dans la plage de fonctionnement comprise entre 10 et 16 volts. Faites vérifier le système de recharge et le système électrique du véhicule. ❸ L'amplificateur ne marche qu'à un niveau sonore faible = La protection anti-court-circuit est engagée. Vérifiez que les fils des haut-parleurs ne sont pas en court-circuit entre eux ou avec le châssis du véhicule. Vérifiez l'état des haut-parleurs ou l'impédance qui ne doit pas tomber en dessous du seuil minimum recommandé.

Aucune sortie d'un canal ? ❶ Vérifiez le contrôle de la balance sur l'appareil source ❷ Vérifiez les branchements RCA (ou d'entrée de haut-parleur) et les branchements de sortie de haut-parleur pour le canal.

Pialement prolongé de l'alternateur avec le régime du moteur ? ❶ Vérifiez l'état du câble RCA (ou d'entrée de haut-parleur) ❷ Vérifiez l'acheminement du câble RCA (ou d'entrée de haut-parleur) ❸ Vérifiez que l'appareil source est correctement mis à la masse ❹ Vérifiez les paramètres de gain et baissez-en la valeur s'ils sont trop élevés.

Réponse réduite des graves ? Inversez le branchement d'un haut-parleur de positif à négatif sur le ou les canaux de la stéréo/du caisson des graves. L'amélioration des graves indique que le haut-parleur était déphasé.

Bruit de fond ? Sur un bateau ou toute autre embarcation, le bruit de l'alternateur ou celui de la boucle de terre provient habituellement d'une différence de potentiel qui peut survenir soit sur la prise positive ou la prise de terre du câblage électrique. Le problème de configuration le plus courant est celui d'un câblage du système stéréo relié à deux endroits différents et ainsi à deux potentiels différents. L'alimentation électrique principale provient habituellement du faisceau de câbles de la barre, tandis que l'alimentation de l'amplificateur provient directement de la batterie. Le câblage de la barre comporte beaucoup de bruit provenant des tachymètres (le responsable du bruit de moteur le plus habituel), des profondimètres et des ordinateurs de gestion de moteur. Le câble de terre de la barre est souvent trop faible pour sa charge totale. Il en résulte habituellement une tension différente pour la borne positive comme pour celle de la terre par rapport au câblage d'alimentation de l'amplificateur.

Le plus simple pour se débarrasser du bruit est de s'assurer que la borne positive et celle de terre de l'unité principale ont exactement les mêmes tensions que celles de l'amplificateur ou des amplificateurs. Et le plus simple pour ce faire est de séparer le câblage d'alimentation de l'unité principale et le faisceau d'alimentation de la barre, en reliant le premier directement sur les bornes de la batterie ou de l'amplificateur, en passant le câble positif à travers un commutateur ou un relais commuté pour permettre au système d'être allumé ou éteint.

ATTENTION : Lorsque vous effectuez une recharge rapide de la batterie du véhicule, assurez-vous que les branchements effectués avec les câbles de recharge rapide sont corrects. Des branchements incorrects peuvent faire sauter les fusibles de l'amplificateur et provoquer des pannes dans d'autres systèmes cruciaux du véhicule.

Si vous avez d'autres questions relatives à l'installation ou au fonctionnement de votre nouveau produit KICKER, contactez le revendeur agréé KICKER qui vous l'a vendu. Pour obtenir d'autres conseils sur l'installation, cliquez sur l'onglet SUPPORT de la page d'accueil KICKER, www.kicker.com. Sélectionnez l'onglet TECHNICAL SUPPORT, choisissez le sujet qui vous intéresse et téléchargez ou affichez les informations correspondantes. Si vous avez d'autres questions, envoyez un message électronique à support@kicker.com ou téléphonez aux services techniques en composant le (+1) 405-624-8583.



KXM400.2

100 x 2 @ 4 ohms, 14.4V C.C., 1% de Distorsion Harmonique Totale, CEA-2006B (W)
Rapport Signal sur Bruit -75dB CEA-2006B (ref: 1W, pondéré A)

ELECTRONICS LIMITED WARRANTY

When purchased from an Authorized KICKER Dealer, KICKER warrants this product to be free from defects in material and workmanship under normal use for a period of TWO (2) YEARS from date of original purchase with receipt. If this product is identified as "Refurbished" or "B Goods", the warranty is limited to a period of THREE (3) MONTHS from the date of original purchase. In all cases you must have the original receipt. Should service be necessary under this warranty for any reason due to manufacturing defect or malfunction during the warranty period, KICKER will repair or replace (at its discretion) the defective merchandise with equivalent merchandise. Warranty replacements may have cosmetic scratches and blemishes. Discontinued products may be replaced with more current equivalent products. This warranty is valid only for the original purchaser and is not extended to owners of the product subsequent to the original purchaser. Any applicable implied warranties are limited in duration to a period of the express warranty as provided herein beginning with the date of the original purchase at retail, and no warranties, whether express or implied, shall apply to this product thereafter. Some states do not allow limitations on implied warranties; therefore, these exclusions may not apply to you. This warranty gives you specific legal rights; however you may have other rights that vary from state to state.

WHAT TO DO IF YOU NEED WARRANTY OR SERVICE:

Defective merchandise should be returned to your local Authorized Stillwater Designs (KICKER) Dealer for warranty service. Assistance in locating an Authorized Dealer can be found at www.kicker.com or by contacting Stillwater Designs directly. You can confirm that a dealer is authorized by asking to see a current authorized dealer window decal.

If it becomes necessary for you to return defective merchandise directly to Stillwater Designs (KICKER), call the KICKER Customer Service Department at (405) 624-8510 for a Return Merchandise Authorization (RMA) number. Package only the defective items in a package that will prevent shipping damage, and return to:

Stillwater Designs, 3100 North Husband St, Stillwater, OK 74075

The RMA number must be clearly marked on the outside of the package. Please return only defective components. The return of functioning items increases your return freight charges. Non-defective items will be returned freight collect to you. For example, if a subwoofer is defective, only return the defective subwoofer, not the entire enclosure. Include a copy of the original receipt with the purchase date clearly visible, and a "proof-of-purchase" statement listing the Customer's name, Dealer's name and invoice number, and product purchased. Warranty expiration on items without proof-of-purchase will be determined from the type of sale and manufacturing date code. Freight must be prepaid; items sent freight-collect, or COD, will be refused.

WHAT IS NOT COVERED?

This warranty is valid only if the product is used for the purpose for which it was designed. It does not cover:

- o Damage due to improper installation
- o Subsequent damage to other components
- o Damage caused by exposure to moisture, excessive heat, chemical cleaners, and/or UV radiation
- o Damage through negligence, misuse, accident or abuse. Repeated returns for the same damage may be considered abuse
- o Any cost or expense related to the removal or reinstallation of product
- o Speakers damaged due to amplifier clipping or distortion
- o Items previously repaired or modified by any unauthorized repair facility
- o Return shipping on non-defective items
- o Products with tampered or missing barcode labels
- o Products with tampered or missing serial numbers
- o Products returned without a Return Merchandise Authorization (RMA) number
- o Products purchased from an UNAUTHORIZED dealer
- o Freight Damage
- o The cost of shipping product to KICKER
- o Service performed by anyone other than KICKER



HOW LONG WILL IT TAKE?

KICKER strives to maintain a goal of one week turnaround for all electronics (amplifiers, crossovers, equalizers, etc.) returns. Delays may be incurred if lack of replacement inventory or parts is encountered. Failure to follow these steps may void your warranty. Any questions can be directed to the KICKER Customer Service Department at (405) 624-8510. Contact your International KICKER dealer or distributor concerning specific procedures for your country's warranty policies.

Note: All specifications and performance figures are subject to change. Please visit www.kicker.com for the most current information.



INTERNATIONAL WARRANTY

Contact your International KICKER dealer or distributor concerning specific procedures for your country's warranty policies.

WARNING: KICKER products are capable of producing sound levels that can permanently damage your hearing! Turning up a system to a level that has audible distortion is more damaging to your ears than listening to an undistorted system at the same volume level. The threshold of pain is always an indicator that the sound level is too loud and may permanently damage your hearing. Please use common sense when controlling volume.

Our goods come with guarantees that cannot be excluded under the **Australian Consumer Law**. You are entitled to a replacement or refund for a major failure and for compensation for any other reasonably foreseeable loss or damage. You are also entitled to have the goods repaired or replaced if the goods fail to be of acceptable quality and the failure does not amount to a major failure.

GARANTÍA INTERNACIONAL

Versión Español

Comuníquese con su concesionario o distribuidor KICKER internacional para obtener información sobre procedimientos específicos relacionados con las normas de garantía de su país.

ADVERTENCIA: Los excitadores KICKER son capaces de producir niveles de sonido que pueden dañar permanentemente el oído. Subir el volumen del sistema hasta un nivel que produzca distorsión es más dañino para el oído que escuchar un sistema sin distorsión al mismo volumen. El dolor es siempre una indicación de que el sonido es muy fuerte y que puede dañar permanentemente el oído. Sea precavido cuando controle el volumen.

La frase "combustible para vivir la vida Livin' Loud™ a todo volumen" se refiere al entusiasmo por la vida que la marca KICKER de estéreos de automóvil representa y a la recomendación a nuestros clientes de que vivan lo mejor posible ("a todo volumen") en todo sentido. La línea de altavoces y amplificadores KICKER es la mejor del mercado de audio de automóviles y por lo tanto representa el "combustible" para vivir a todo volumen en el área de "estéreos de automóvil" de la vida de nuestros clientes. Recomendamos a todos nuestros clientes que obedezcan todas las reglas y reglamentos locales sobre ruido en cuanto a los niveles legales y apropiados de audición fuera del vehículo.

INTERNATIONALE GARANTIE

Deutsche Version

Nehmen Sie mit Ihren internationalen KICKER-Fachhändler oder Vertrieb Kontakt auf, um Details über die Garantieleistungen in Ihrem Land zu erfahren.

WARNUNG: KICKER-Treiber können einen Schallpegel erzeugen, der zu permanenten Gehörschäden führen kann! Wenn Sie ein System auf einen Pegel stellen, der hörbare Verzerrungen erzeugt, schadet das Ihren Ohren mehr, als ein nicht verzerrtes System auf dem gleichen Lautstärkepegel. Die Schmerzschwelle ist immer eine Anzeige dafür, dass der Schallpegel zu laut ist und zu permanenten Gehörschäden führen kann. Seien Sie bei der Lautstärkeinstellung bitte vernünftig!

Der Slogan "Treibstoff für Livin' Loud" bezieht sich auf die mit den KICKER-Autostereosystemen assoziierte Lebensfreude und die Tatsache, dass wir unsere Kunden ermutigen, in allen Aspekten ihres Lebens nach dem Besten ("Livin' Loud") zu streben. Die Lautsprecher und Verstärker von KICKER sind auf dem Markt für Auto-Soundsysteme führend und stellen somit den "Treibstoff" für das Autostereoerlebnis unserer Kunden dar. Wir empfehlen allen unseren Kunden, sich bezüglich der zugelassenen und passenden Lautstärkepegel außerhalb des Autos an die örtlichen Lärmvorschriften zu halten.

GARANTIE INTERNATIONALE

Version Française

Pour connaître les procédures propres à la politique de garantie de votre pays, contactez votre revendeur ou distributeur International KICKER.

AVERTISSEMENT: Les haut-parleurs KICKER ont la capacité de produire des niveaux sonores pouvant endommager l'ouïe de façon irréversible ! L'augmentation du volume d'un système jusqu'à un niveau présentant une distorsion audible endommage davantage l'ouïe que l'écoute d'un système sans distorsion au même volume. Le seuil de la douleur est toujours le signe que le niveau sonore est trop élevé et risque d'endommager l'ouïe de façon irréversible. Réglez le volume en faisant preuve de bon sens!

L'expression "carburant pour vivre plein pot" fait référence au dynamisme de la marque KICKER d'équipements audio pour véhicules et a pour but d'encourager nos clients à faire le maximum ("vivre plein pot") dans tous les aspects de leur vie. Les haut-parleurs et amplificateurs KICKER sont les meilleurs dans le domaine des équipements audio et représentent donc pour nos clients le "carburant pour vivre plein pot" dans l'aspect "installation audio de véhicule" de leur vie. Nous encourageons tous nos clients à respecter toutes les lois et réglementations locales relatives aux niveaux sonores acceptables à l'extérieur des véhicules.





©2012 Stillwater Designs