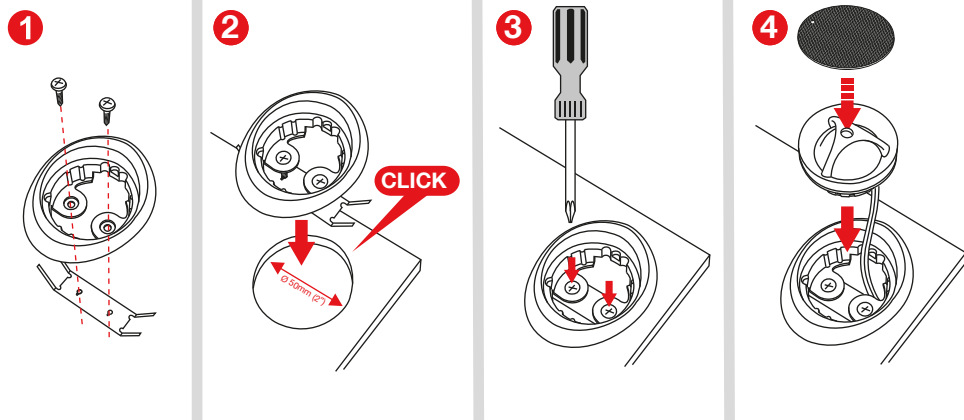
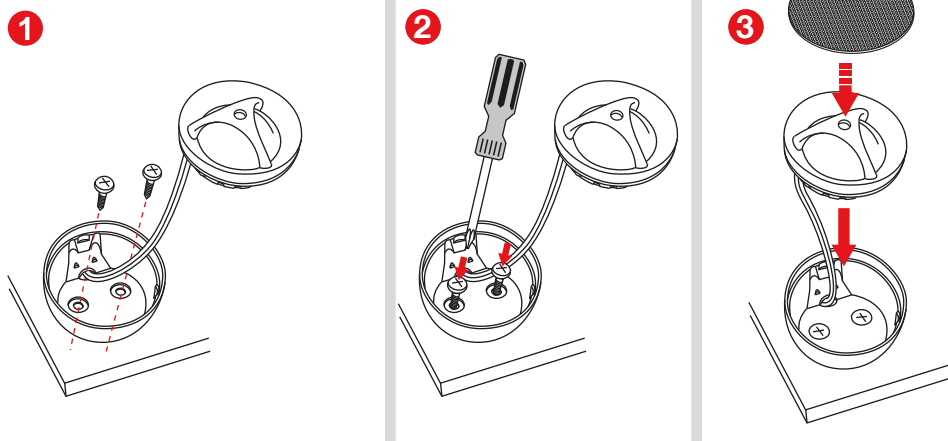


Option 1: Flush mounting for a 50 mm (1.96") cutout



Option 2: Surface mounting



Specifications

2-Way System

Nominal Impedance	4 ohm	
Power Handling	90W	
Max. Transient Power Handling	180W	
Sensitivity (2.83V/1M)	94dB	
Frequency Response	60-22,000 Hz	
Voice Coil Diameter	Woofer: 30mm (1.181")	Tweeter: 25mm (1")
Voice Coil Wire	Woofer: CCAW	Tweeter: CCAW
Magnet System	Woofer: Hybrid magnet system	Tweeter: Neodymium
Mounting Depth	Woofer: 63mm (2.5")	Tweeter: 20mm (0.8")

Morel operates a policy of continuous design improvement, consequently specifications are subject to alteration without prior notice.

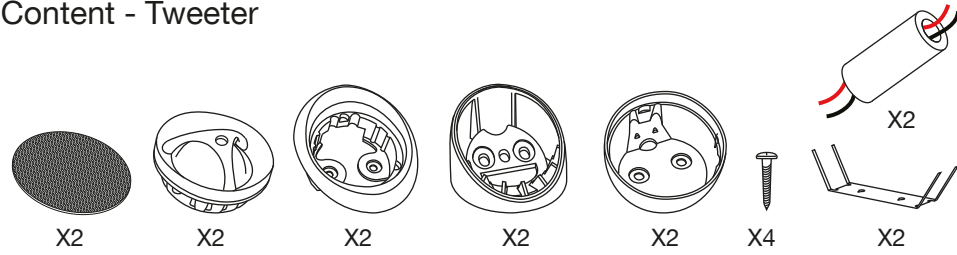
www.morelhifi.com



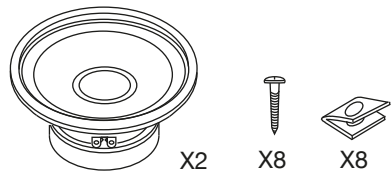
maximus 602 V2

High Efficiency Component System Installation Guide

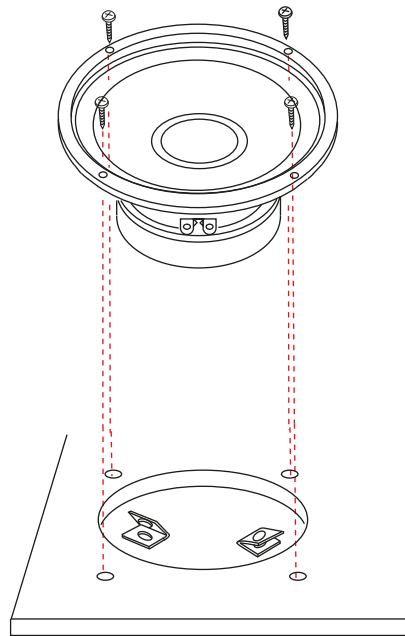
Content - Tweeter



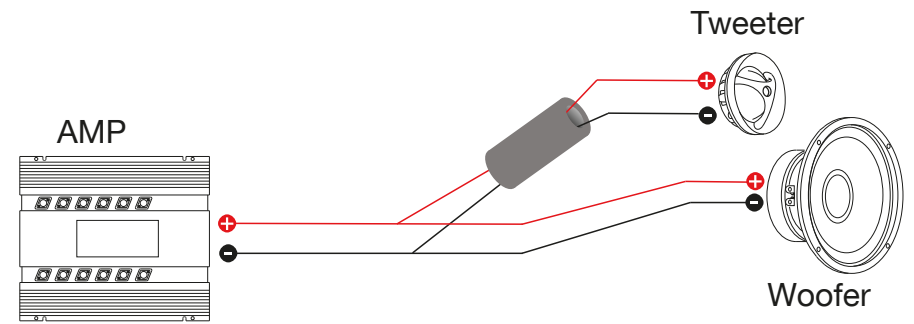
Content - Woofer



Woofer mounting



Crossover Connection



Tweeter surface mounting

