

Pride®

MILLE
MEZZO

Before You begin installation

Before you begin , you will need tools, supplies and adapters. It is best to make sure you have everything you need before you start.

Amplifier Location

Allow air circulation around the amplifier.

When selecting a location, remember that amplifiers generate heat. Select a location where air can circulate around the amplifier.

Do not cover the AMPLIFIER with carpets or enclose it behind interior trim panels.

Every installation will be a bit different based upon vehicle design, Check all locations and placements carefully before making any cuts or connections.

Disconnect Battery

Before you begin, always disconnect the battery negative terminal.

Important :

If wiring connections are made incorrectly the unit will not operate properly and could be damaged. Follow the installation instructions carefully or have the amplifier installed by an authorized dealer.

Things to remember when installing your amplifiers.

The design philosophy of the amplifiers and mode of regulation requires that proper installation and load impedance instructions be adhered to at all times.

Minimum impedance recommended for all digital monoblock amplifiers (MILLE & MEZZO) are 1ohm.

For master/slave link operation, the minimum impedance for all digital monoblock amplifiers are 2ohm.

Each master amplifier must be paired up with a exact same model slave amp.

Fuses are equipped with for MILLE (30Ax3 ATC). MEZZO is not equipped with the fuse.

Fuse ratings are 90A for MILLE and 120A for MEZZO single unit.

These fuse ratings should be sufficient under normal working conditions. However, if the amplifiers are overloaded (see minimum impedance above) fuses may blow.

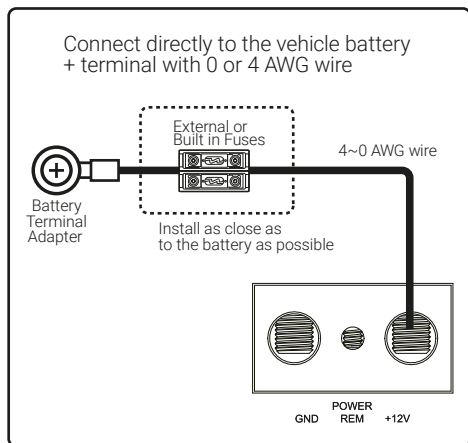
Therefore, please try to avoid operating the amplifiers under these conditions.

1. Mount the amplifiers where air flow is the best.
 2. Mount the amplifiers to a solid surface away from vibration, as these amplifiers are very heavy and the vibration can damage the amplifiers.
 3. Take extreme caution when mounting the amplifiers, so as not to damage the chassis with a drill or screwdriver.
 4. Run 0 AWG or 4AWG wire from the battery, using fuses with 12" of the positive battery terminal. The fuse is to protect the car and your car audio system from the fire that could be caused by a short circuit.
 5. Run 0AWG or 4AWG ground wire as short as possible, to the closest chassis ground point.
- Be sure to remove the paint around the chassis ground point to provide a more solid electrical connection.

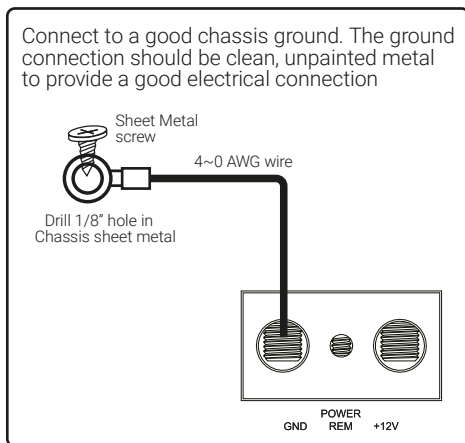
6. Run a 16 AWG (or larger) wire to the remote turn-on lead of the headunit.
7. Connect the speakers as per wiring diagrams in the manual.
12AWG or larger speaker wire is recommended.
8. Mount remote level control in the car where it can be easily reached from the driver's seat, if desired.
9. Using rca interconnect cables, connect all line inputs per the wiring diagrams which follow.
If possible, keep rca cables away from the 12V power and ground wire.
10. Set the controls as described on following pages.

Power, Remote, Ground Connection

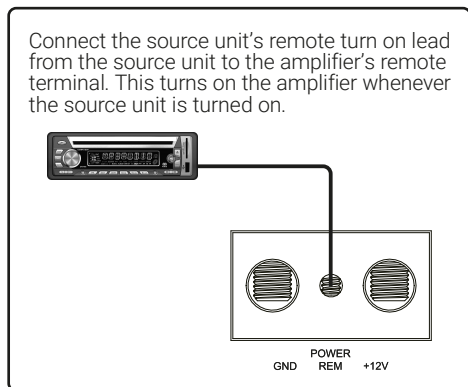
Power Terminal [+12V]



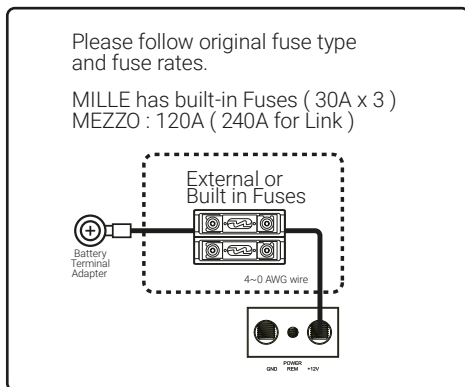
Ground Terminal [GND]



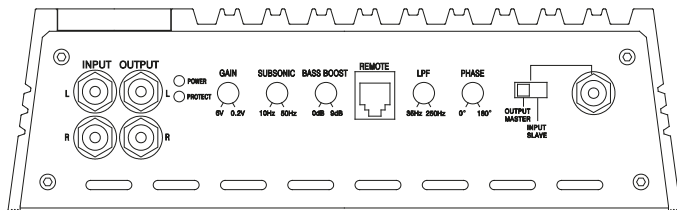
Remote / Turn on Terminal



Fuses



Digital Monoblock Input & Output Connection



RCA INPUTS -

The RCA inputs ensure the highest quality contacts and the lowest noise in your audio system.

RCA OUTPUTS -

The RCA outputs connect another amplifier for multi car amplifiers system.

POWER & PROTECT INDICATORS -

When the unit is powered on and operating correctly the power LED illuminates. When the unit is malfunction or faulty, the protect LED is on.

GAIN -

This adjusts the normal operating level of the amplifier by matching the level from the headunit.

SUBSONIC FILTER -

This allows you to tune the response of the amplifier at very low frequencies.

BASS BOOST -

This allows you to tune amplifier response with up to 9dB of boost centered at 45Hz

REMOTE CONTROL -

Use this to control level of the amplifier from your driver's seat.

LOW PASS CROSSOVER FREQUENCY CONTROL -

This allows you to tune the response of the amplifier at higher bass frequencies to roll off for a seamless integration into your midbass.

PHASE -

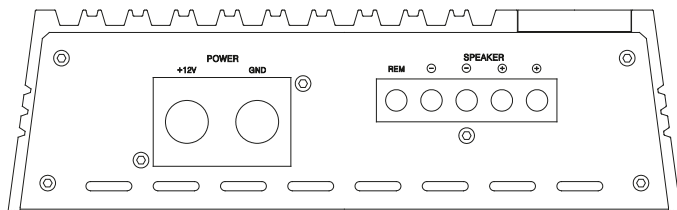
It is adjustable from 0 to 180 degree.

MASTER/SLAVE (LINK) CONNECTION -

Using one amplifier set this to Output Master. Second amp is set to Input Slave
In Strappable mode, Minimum impedance is 2ohm
Subwoofer speakers impedance should be checked very carefully to prevent any damages to subwoofers and the amplifiers.

SPEAKER TERMINAL BLOCK -

Connect speaker cables from speaker terminal block to subwoofers.
Subwoofers impedance should be checked carefully.



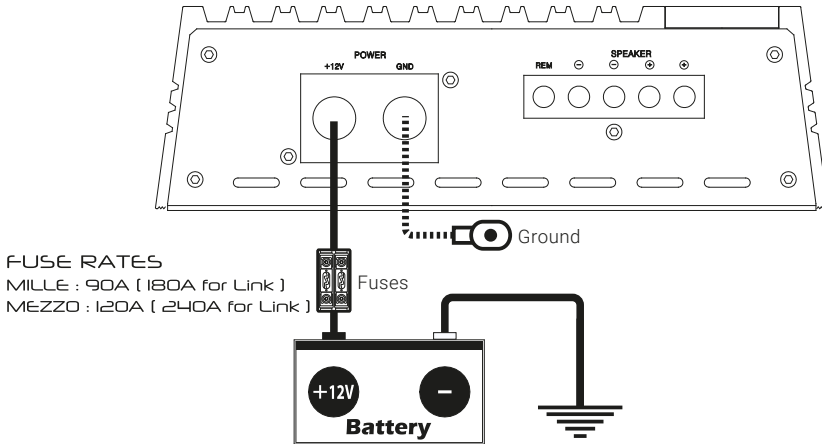
GROUND (GND) & POWER (+12V) -

The power and ground will accommodate 0 or 4 AWG wire. Use high quality pure copper wire only.

REMOTE (REM) -

REM connector will accept wire sizes from 12 to 18 AWG. This terminal is used to remotely turn-on and turn-off the amplifier when +12V DC is applied.

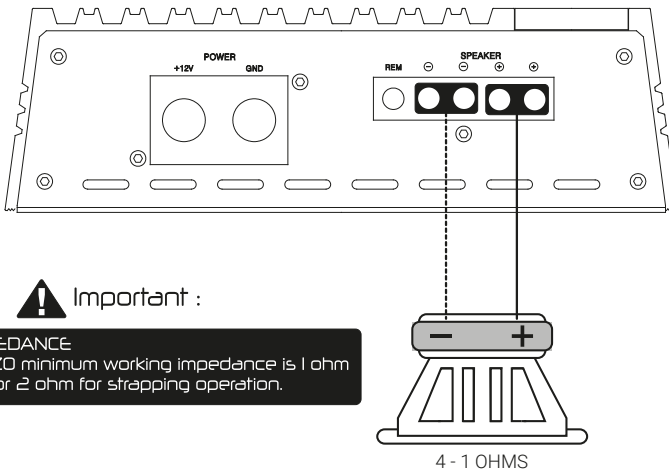
Digital Monoblock Power Connection



! Important :

WORKING VOLTAGE
 MILLÉ & MEZZO : 8.5Volts to 16 Volts

Digital Monoblock Speaker Connection



DIGITAL MONOBLOCK

MASTER / SLAVE STRAPPABLE INPUT CONNECTION

Pride®

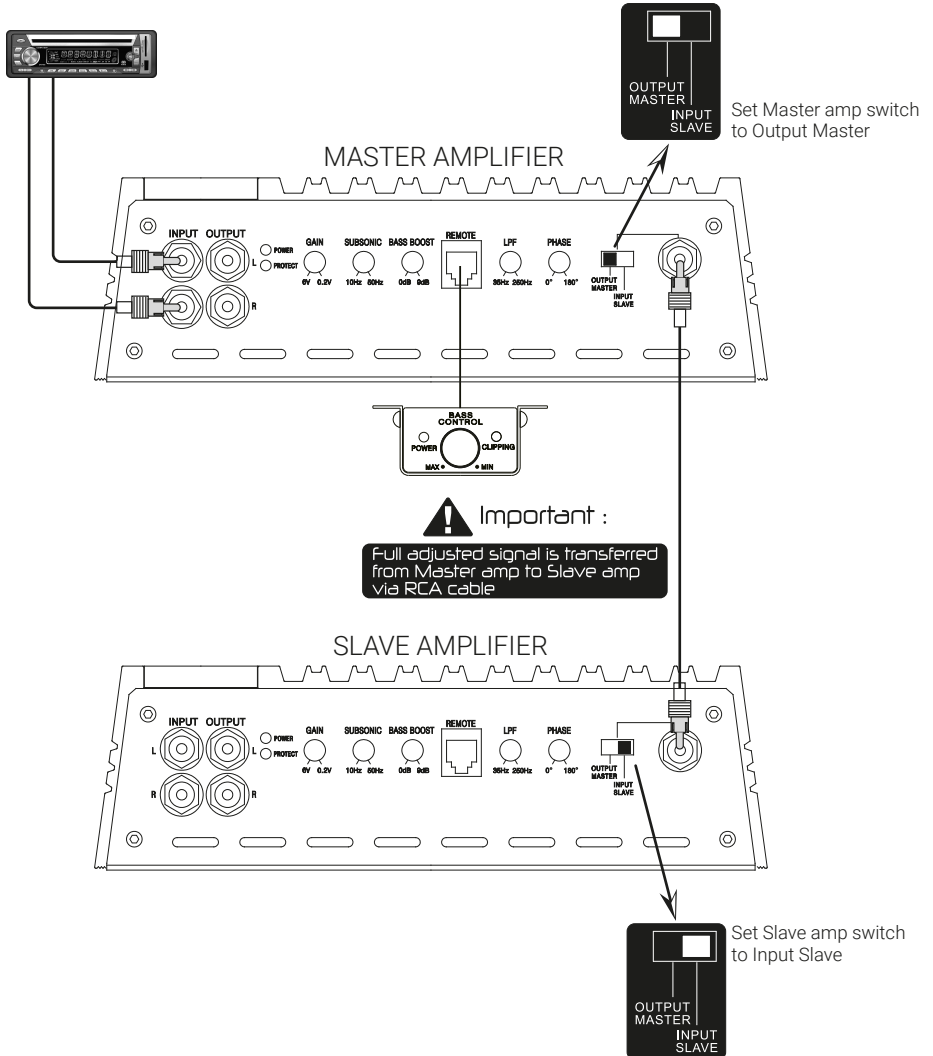
MASTER / SLAVE Strappable Input Connection

INPUT CONNECTION STEPS ;

Step 1. Set output master / input slave switch to OUTPUT MASTER on master amplifier.

Step 2. Set output master / input slave switch to INPUT SLAVE on slave amplifier.

Step 3. Connect RCA JACK on master amp to RCA JACK on slave amp.



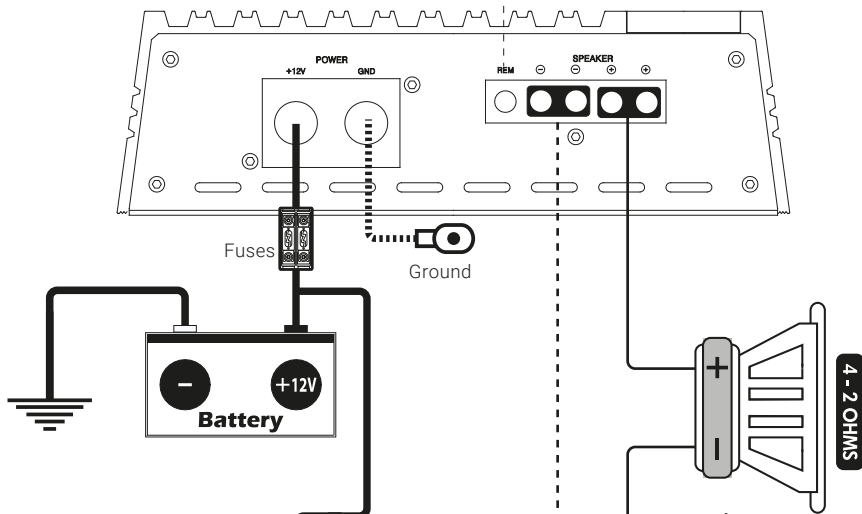
MASTER / SLAVE Strappable Output Connection

SPEAKER OUTPUT CONNECTION STEPS ;

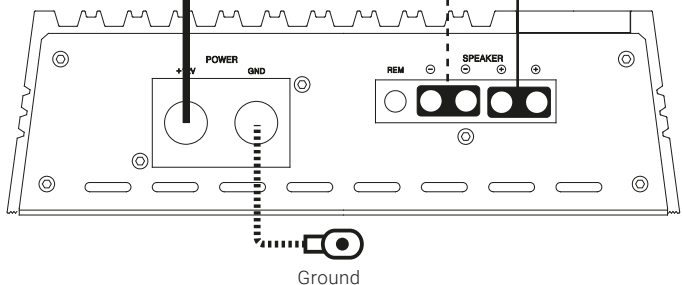
- Step 1. Connect speaker cable (+) on master amplifier to subwoofer (+)
- Step 2. Connect speaker cable (+) on slave amplifier to subwoofer (-)
- Step 3. Connect speaker cable (-) on master amplifier to speaker cable (-) on slave amplifier



MASTER AMPLIFIER



SLAVE AMPLIFIER



TROUBLE SHOOTING

NO POWER LED ON, NO OUTPUT

- Check +12V and GND connection
- Check remote signal +12V
- Check the external fuses or built-in.

POWER LED ON, NO OUTPUT

- Check source unit for output
- Check input gain control
- Check RCA cable
- Check speaker and wiring for shorts
- Check for damaged speakers

NO SOUND ON ONE CHANNEL

- Swap left/right input to check source
 - ... If sound swaps too, source or signal cable is bad
- Swap left/right speaker to check speakers
 - ... If sound does not swap, speaker or speaker wiring is bad
 - ... In any case, consult authorized dealer

AMPLIFIER GOES IN PROTECTION MODE AT HIGHER GAIN

- Check speaker impedance (MILLE & MEZZO) is 1ohm for single unit and 2ohm for link connection.
- Check working voltages (8.5V - 16Volts for MILLE & MEZZO)
- Check speaker wiring for short circuit

ENGINE OR ALTERNATOR WHINE NOISE

- Check wiring. make sure RCA cables are not run parallel on same side of vehicle as power cable.
- Check any preamps or black boxes in the signal path between source unit and amplifier
- Make sure ground pin (shield or outer barrel of rca cables) have not lost connection and that source unit has good reference ground.

FEATURES

	<i>MILLE</i>	<i>MEZZO</i>
4ohm Power	400W	500W
2ohm Power	650W	900W
1ohm Power	1000W	1500W
Frequency Response	15Hz - 270Hz	15Hz - 270Hz
Signal to Noise	85dB	85dB
Efficiency @ 4ohm	Over 90%	Over 90%
Damping Factor	200 <	200 <
Input Sensitivity	6V - 0.2V	6V - 0.2V
Subsonic Filter	10Hz - 50Hz	10Hz - 50Hz
Bass Boost	0dB - 9dB	0dB - 9dB
Remote Control	Included	Included
Low Pass Filter	35Hz - 250Hz	35Hz - 250Hz
Phase	0 - 180 degree	0 - 180 degree
Strappable Connection	Yes	Yes
Fuse Rating	90A	120A
Link Fuse Rating	180A	240A
Dimensions (L mm)	250	300
W x H mm	220 x 66	220 x 66

All features are subject to change in the continuing efforts to improve the products without notice.

Pride®

Pride®