



**L-3 Series Pro Horn Coaxial
8" Speaker with Bullet Tweeter**

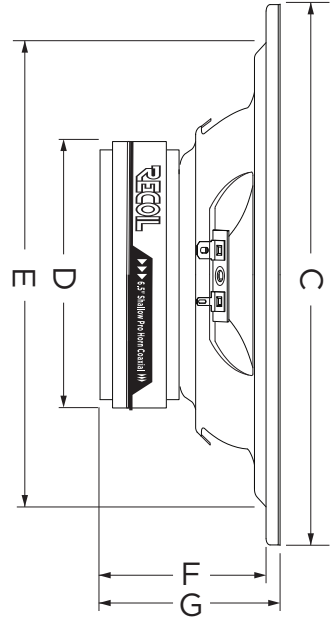
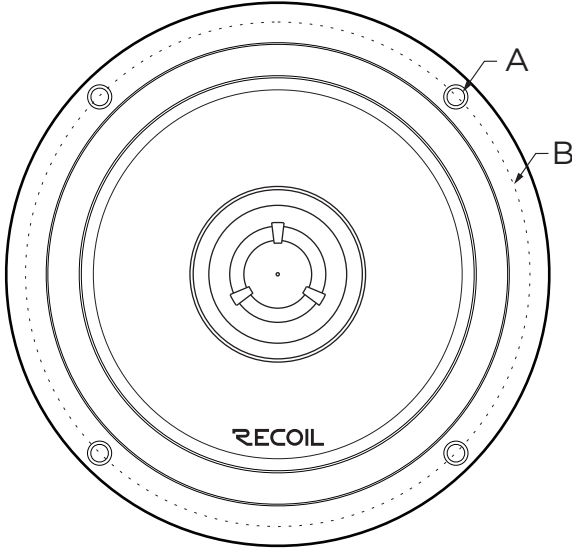
User Manual

INTRODUCTIONS

Congratulations on your purchase of our product! We hope RECOIL AUDIO will delight you with its impressive performance. In producing our speakers, we utilize high-quality components and cutting-edge materials. This manual contains essential instructions for proper system installation and use. Before installation, please carefully review all guidelines provided. Failure to follow these instructions may result in product damage or unintended malfunctions.

SPECIFICATIONS

Size: 209mm (8")
Minimum Input (RMS) : 160 W
Peak Power: 320 W
Nominal Resistance (Ohm) : 4 Ω
Minimum Resistance (Ohm) : 3.3 Ω
Sensitivity (1W/M) : 95 dB(+/-3dB)
Frequency Range: 108-20 kHz
Cone Material: Pressed Paper Fiber
Suspension Material: Cloth
Voice Coil Diameter: 38.5 mm (1.5")
Coil Material: KSV
Magnet Material : Ferrite(33OZ)



T/S PARAMETERS

Fs 108 Hz
 Re 3.3 ohm
 Qes 1.0
 Qms 7.11
 Qts 1.88
 Vas 14.11 L
 Sd 235 cm²
 X max 0.5 mm
 Mms 11.95g
 BI 5.19Tm
 No 1.75%
 CMS 179.8uM/N

Dimension

Item	LX8-4P (mm)
A	4-φ5
B	φ200
C	φ210
D	φ120
E	φ180
F	67
G	75