



RECOIL®

MX8

PRO AUDIO 8" COAXIAL SPEAKER WITH BULLET TWEETER

User Manual

INTRODUCTIONS

Congratulations on your purchase of our product! We hope RECOIL AUDIO will delight you with its impressive performance. In producing our speakers, we utilize high-quality components and cutting-edge materials. This manual contains essential instructions for proper system installation and use. Before installation, please carefully review all guidelines provided. Failure to follow these instructions may result in product damage or unintended malfunctions.

PRECAUTIONS

ATTENTION!

Prolonged exposure to sound pressure 100 dB and higher can cause hearing loss. Use common sense and practice safe sound. Remember that prolonged exposure to excessively high sound levels can damage your hearing. Driving safety comes first.

The manufacturer is not responsible for hearing loss, body damage or property damage due to misuse of this product.

ATTENTION!

Proceed with the installation only if you are a qualified car audio installer, otherwise contact a professional installation service.

- Always wear safety glasses when using tools.
- Before proceeding with the installation, turn off the car head unit and other electronic devices.
- Disconnect the negative (-) terminal from the car battery before starting the installation.
- Store the loudspeaker in its packaging if you have not proceeded to install it, and always place the loudspeaker with the cone facing up. Never use force when installing speakers.
- Determine the location of the fuel lines, brake pipes, oil lines, and vehicle electrical wiring before proceeding with the installation.
- Check that the installation site has sufficient air exchange on both sides of the speakers before drilling holes.
- Check that nothing interferes with the normal operation of the cone, otherwise the cone will be damaged.
- Use a utility knife to cut off excess pieces of fabric near the hole where the speaker will be installed before starting drilling.
- Use a grommet for the speaker wires (not included) when pulling through sheet metal, otherwise the wire may be damaged by the metal edges of the hole.

PRECAUTIONS

Speaker - 1 PAIR

Grill - 1 PAIR

Instruction - 1 PC

Mounting Screw Pack - 4 PAIRS

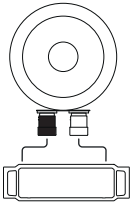
Midrange/Tweeter Speaker Connection Wire - 1 PAIR

EXAMPLES OF CONNECTING SPEAKERS (4 OHMS)

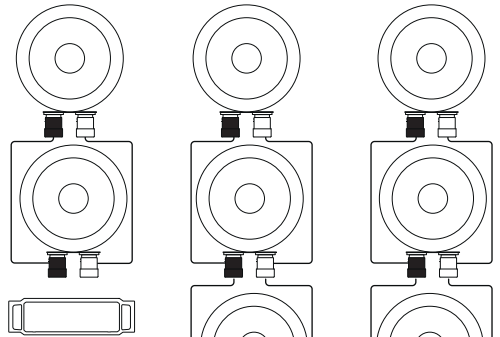
Your coaxial speakers have a single voice coil and 4 OHM impedance. You need to know the maximum power of your amplifier to optimize your sound,

You can vary the impedance parameter by connecting the speakers: in series, in parallel or mixed. Please select a suitable speaker connection scheme depending on the number of speakers to be connected through the speaker system and the stability of the amplifier impedance. The most important thing when connecting speakers is to make the connection so that none of the speakers are overloaded. Overload threatens to damage the speaker. It is important to understand that the speaker can be powered either less or equal to the rated power for which it is designed. Otherwise, any speaker will be damaged due to overload. Before connecting the speakers, you need to determine their nominal power (W), the active resistance of the voice coil (Ohm), which are indicated on the magnet or in the technical specifications in the attached instructions.

1 Speaker



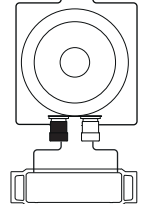
Connection in Series



2

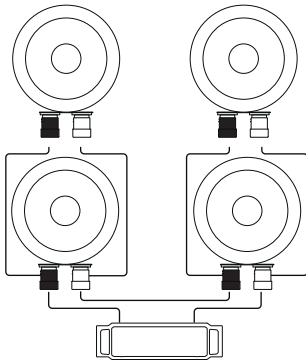


3



4

Mixed Connection



1 Speaker DC resistance	MX8
1 Speaker	3.20
Parallel Connection	2 1.60
	3 1.10
	4 0.80
Mixed Connection	3.20
	Measurements in Ohm (Ω)

INSTALLATION

To install the MX speakers, the help of a professional installation service is required. In this manual, only the basic rules for connecting coaxial speakers and technical specifications are presented.

SELECTING SPEAKER LOCATION

The choice of where the speaker will be installed has the greatest influence on sound quality. You need to think carefully about where the speaker system will be installed. Places for installing speakers should be of sufficient size.

It is necessary to check that, due to the chosen installation locations of the speakers, there is no interference in the operation of the mechanical parts and electronics of the car.

PREPARING TOOLS

Note: You may need the tools listed below

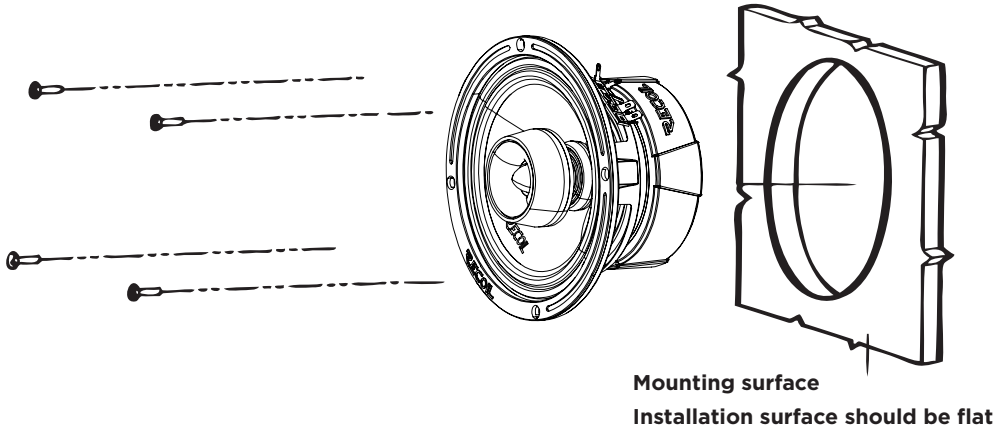
- Electric Drill + Drills
- Hacksaw, Electric Hacksaw for Metal
- Standard Set of Screwdrivers
- Stripping Pliers
- Crimping Tool and Needle Nose Pliers
- Silicone Sealant (for Acoustic Enclosure), Sealing Strip (for Speakers)

INSTALLATION IN THE DOOR

Before proceeding with the installation of speakers in the car door, Please check its construction and window operation. There is a stabilizing stop bar in the car door, which is located between the door and the door arch. The lock bar prevents the door from being opened unnecessarily.

INSTALLATION IN THE REAR PART OF CARBODY

Before installing the speakers in the rear part of carbody, please check the operation of the suspension springs of the trunk or the tension rods. The rods move inward when the trunk is opened. Do not install the speakers too close to the rear window, otherwise it will have to be removed when you screw in the screws.



INSTALLATION

1. Choose a place to install the speaker. Make sure the mounting surface is flat and fits the mounting dimensions of the speaker. Placing the speaker on an uneven surface will damage the speaker.
2. Make sure that the chosen location for the speaker does not interfere with the operation of the vehicle,
3. Cut the template based on the speaker outer diameter. Place the template on the mounting surface where the speaker should be installed and trace around it with a pencil.
4. Make a hole for the speaker. The hole can be made either with a metal shears or with an electric hacksaw for metal.
5. The speaker wire (not included) needs to be connected to the speaker. Use a grommet for the speaker wire when pulling through sheet metal, otherwise the wire may be damaged by the metal edges of the hole.
6. Drill holes with a 1/8 "(3mm) drill.
7. Pull the speaker wire through the hole made and connect to the speaker. Observe the polarity when connecting the speakers.
8. Secure the speaker with screws.

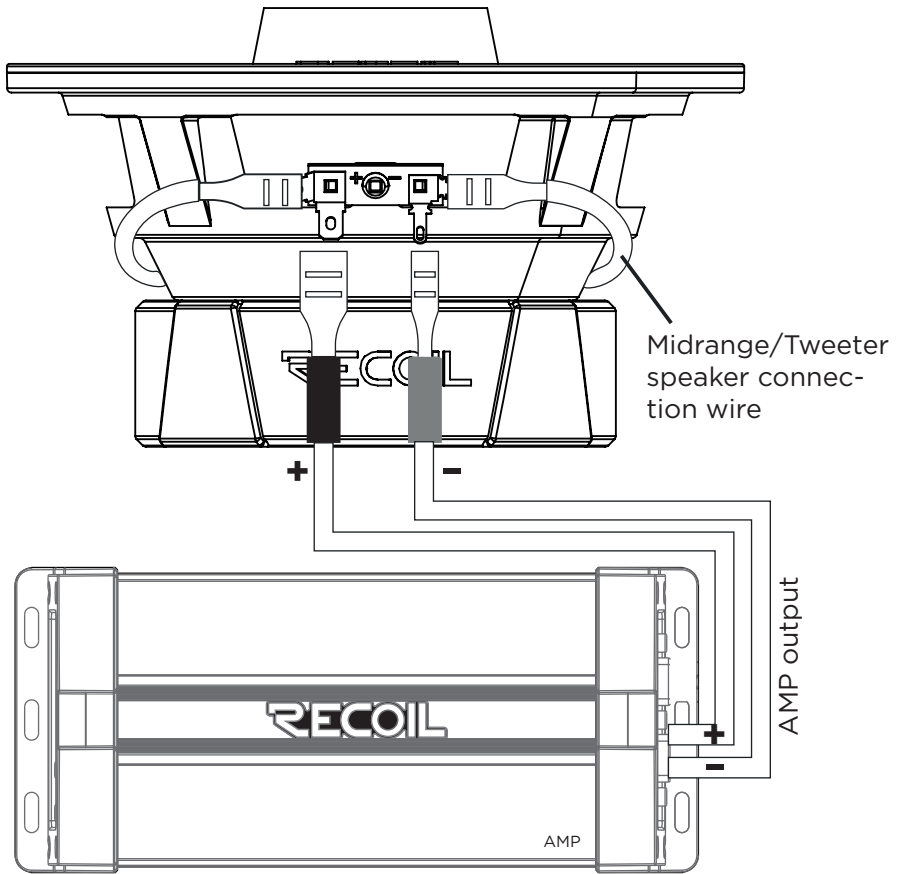
RECOMMENDED CROSSOVER SETTINGS

For optimum performance, it is recommended to adjust the crossover according to the recommendations below.

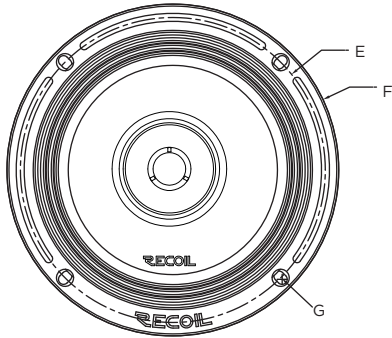
NOTE Crossover settings depend on speaker sizes.

Recommended active crossover 80Hz - 20kHz, 12dB per octave.

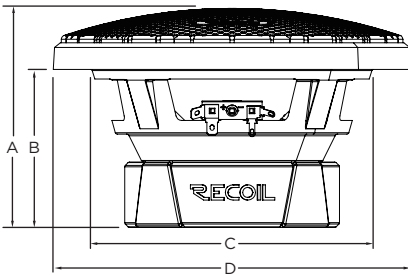
CONNECTION



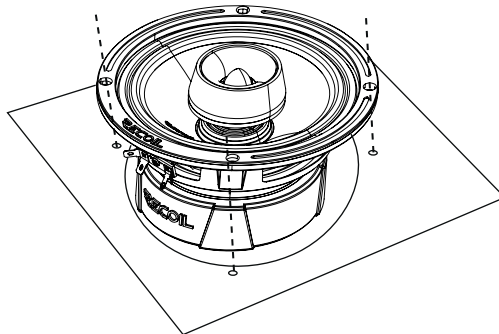
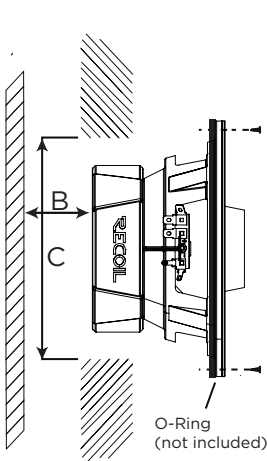
DIMENSIONS



Code	Data(mm)
A	114
B	87
C	184
D	222
E	200
F	208.4
G	4-5.0



INSTALLATION DIMENSIONS MS65-4



Installation dimensions MX8	
Model	MX8
C	184
B	80

SPECIFICATIONS

Recoil Pro Audio 8" Coaxial Speaker with Bullet Tweeter

Configuration: 2-way

Size: 208mm (8")

Minimum Input (RMS): 175W

Rated Power (RMS): 350W

Peak Power: 700W

Nominal Resistance (Ohm): 4 Ω

Minimum Resistance (Ohm): 3.2 Ω

Mounting Depth: 87mm (3.43")

Mounting Diameter: 184mm (7.24")

Sensitivity (1W/1m): 96.2dB (+/-3dB)

Frequency Range: 88-20kHz

Cone Material: Pressed Paper Fiber

Suspension Material; Fabric

Voice Coil Diameter: 38mm (1.5")

Coil Material: Til SV

Wire Winding Height: 8.5mm (0.34")

Magnet Material Ferrite

Magnet Size Magnet / Weight: 126 x 45 x 20mm/ (34.2oz)

THIELE- SMALL PA RAMETERS

Fs 88.8 Hz

Sd 213.8 cm²

Re 3.2 Ω

X max 1.25 mm/ 0.049 in

Qes 0.38

Mms 13.9 g

Qms 10.12

Bl 8.1 Tm

Qts 0.37

Le 0.36 mH

Vas 14.8 L/0.52FT³

USER MANUAL



WWW.RECOILAUDIO.COM

COPYWRITE© 2026 RECOIL ALL RIGHTS RESERVED. RECOIL, NINGBO AVS TECHNOLOGY CO., LTD AND DOMESTIC INVESTMENT GROUP, LLC ASSUME NO RESPONSIBILITY OR LIABILITY FOR FINES OR DAMAGES INCURRED AS A RESULT OF IMPROPER USE OF THIS PRODUCT.