



User Manual

INSTALLATION

Congratulations on your purchase of our product! We hope RECOIL AUDIO will delight you with its impressive performance. In producing our speakers, we utilize high-quality components and cutting-edge materials. This manual contains essential instructions for proper system installation and use. Before installation, please carefully review all guidelines provided. Failure to follow these instructions may result in product damage or unintended malfunctions.

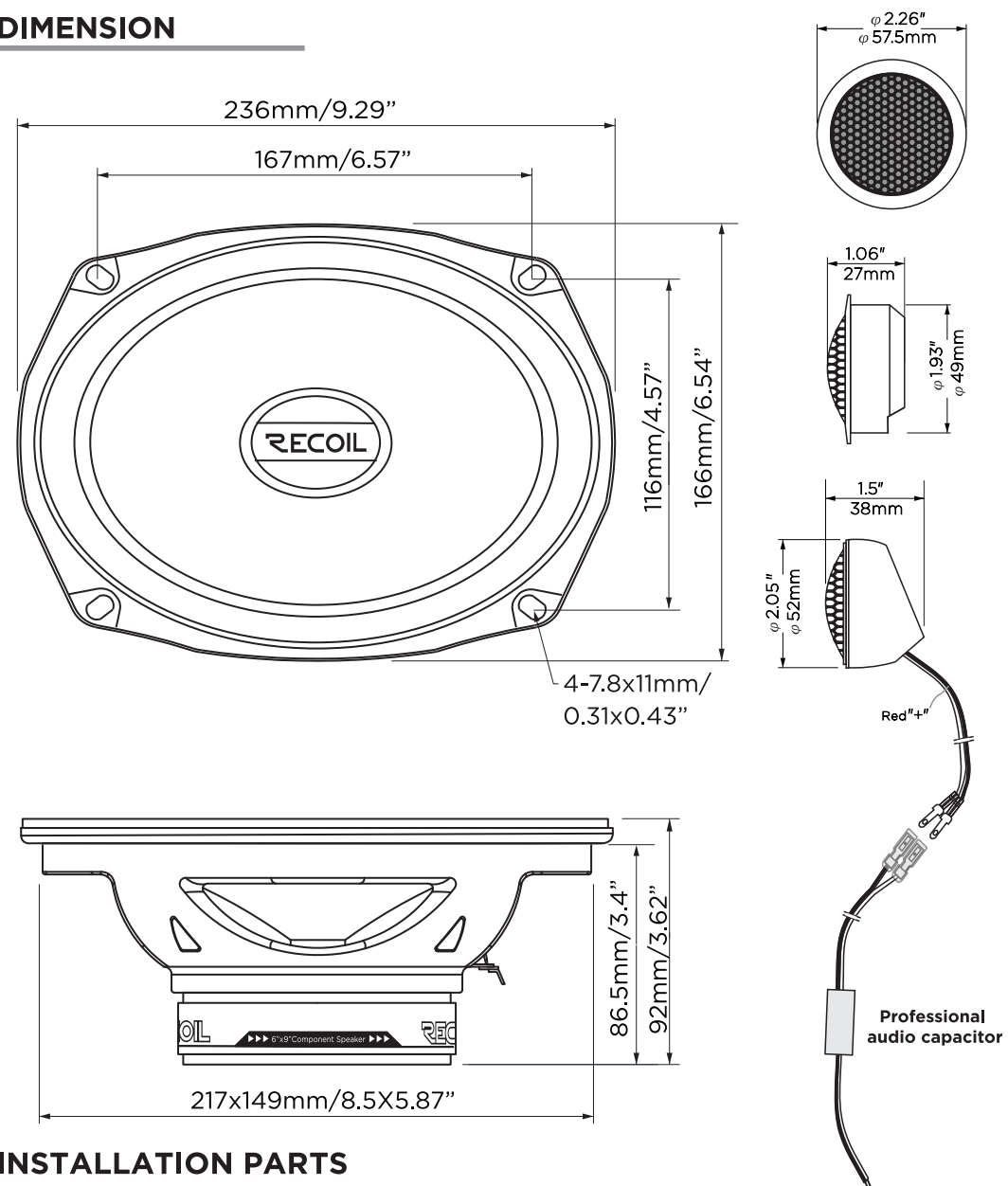
SPECIFICATIONS

Configuration: 2-way
 Size: 166x263mm / (6"x9")
 RMS Power : 60 W
 Peak Power : 240W
 Nominal Resistance (Ohm) : 4 Ω
 Minimum Resistance (Ohm) : 3.6 Ω
 Sensitivity (1W/M) : 83 dB(+/-3dB)
 Frequency Range: 51-20 kHz
 Cone Material: Pressed Paper Fiber (Dampproof)
 Suspension Material; Nitrile Butadiene Rubber
 Voice Coil Diameter: 25.5 mm (1.0")
 Coil Material: ASV
 Magnet Material : Ferrite (22 OZ)

T/S PARAMETERS

Fs: 51 Hz
 Re: 3.6 ohm
 Qes: 1.0
 Qms: 2.9
 Qts: 0.75
 Vas: 8.2 L/0.29 FT³
 Sd: 12.67 cm²
 X max: 6.0mm/ 0.236 in
 Mms: 26.1 g
 BI: 5.49 T-m
 No: 0.109 %
 CMS: 360.78 uM/N

DIMENSION



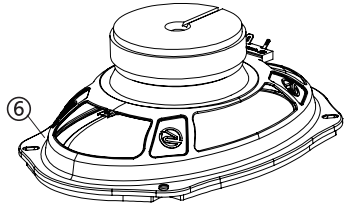
INSTALLATION PARTS

①		x2	②		x2	③		x8	④		x8
							Ø4 x 25 (1") mm			Ø4 x 16 (5/8") mm	
⑤		(not included)	⑥		x1 (4)	⑦		x1 (2)	⑧		x1 (2)
⑨		x2									

INSTALLATION

This speaker system is equipped with a multipurpose mounting bracket, which is highly compatible with the installation holes and locations of most original vehicle speakers. It allows for a seamless speaker upgrade without the need for any cutting or modifications to your car. Please read this installation manual carefully. If you can find the corresponding brand of your vehicle in the manual, congratulations—this will make the installation and upgrade process extremely straightforward.

■ **Preparation**

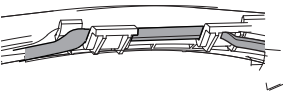


Note:

- Be sure to use the supplied Screws and Bracket.
- Seal the unused threaded holes for the bracket using commercially available cushions, etc.

- *1
- The screws supplied with the vehicle.

*2
Details



■ **Finalization**

