

RECOIL

8" 2-Way / 3-Way SPEAKER SYSTEM

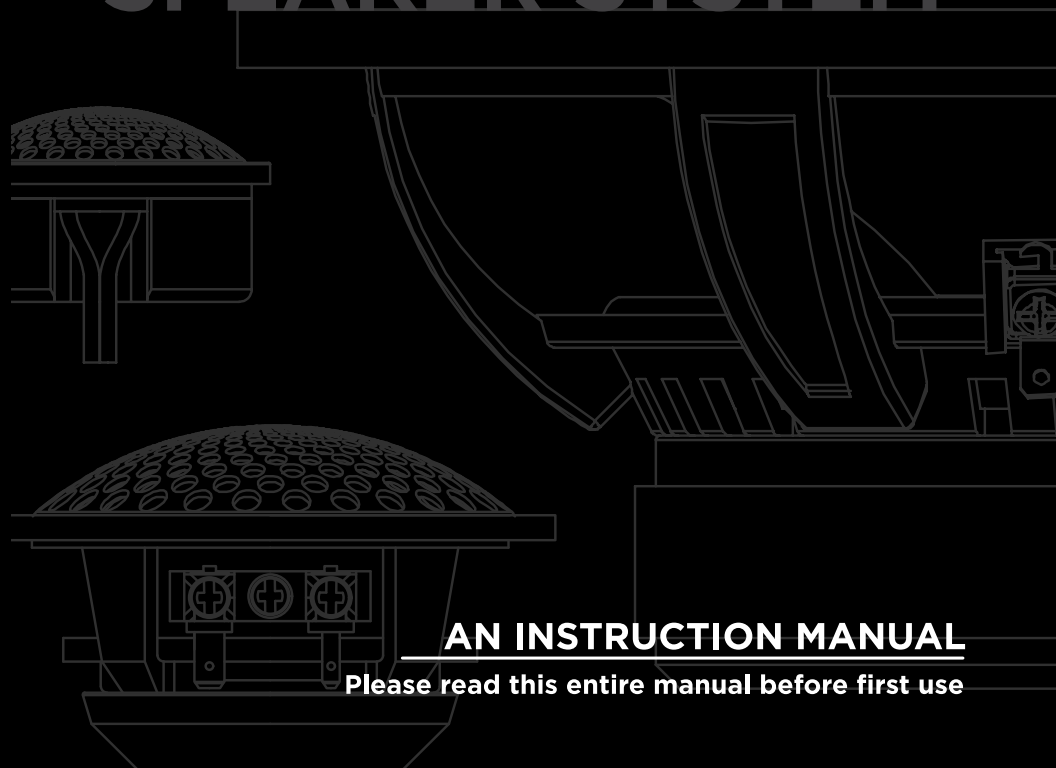
- Aluminum Die-cast Frame
- Powerful 27OZ Ferrite Magnet
- Compressed Cotton-Fiber Pulp Cone
- 3.5" Neodymium Magnet Midrange Speaker
- 1.4" KSV High-Temperature Voice Coil
- 1.1" Rear Chamber Soft Dome Tweeter
- Customized Hi-Fi Grade Capacitor Crossover

RPM28/38 SPEAKER SYSTEM



WWW.RECOILAUDIO.COM

COPYRIGHT © 2026 RECOIL. ALL RIGHTS RESERVED. RECOIL, NINGBO AVS TECHNOLOGY CO., LTD AND DOMESTIC INVESTMENT GROUP, LLC ASSUME NO RESPONSIBILITY OR LIABILITY FOR FINES OR DAMAGES INCURRED AS A RESULT OF IMPROPER USE OF THIS PRODUCT.



AN INSTRUCTION MANUAL
Please read this entire manual before first use

INTRODUCTIONS

Congratulations on your purchase of our product! We hope RECOIL AUDIO will delight you with its impressive performance. In producing our speakers, we utilize high-quality components and cutting-edge materials. This manual contains essential instructions for proper system installation and use. Before installation, please carefully review all guidelines provided. Failure to follow these instructions may result in product damage or unintended malfunctions.

RPM28/38 T/S PARAMETERS

Model	RPM28	RPM38
Nominal Diameter:	8" (209mm)	8" (209mm)
DCR:	2.5 OHM	2.5 OHM
Frequency Response:	50-20kHz	50-20kHz
Voice Coil Diameter:	1.4" (35.5mm)	1.4" (35.5mm)
Power Rating:	130W/260W _(W+T)	160W/320W _(W+M+T)
Fs - Free Air Resonance:	53 Hz	53 Hz
Qts:	0.316	0.316
Qes:	0.362	0.362
Qms:	2.459	2.459
Vas:	37.3L	37.3L
Sensitivity:	94dB	94dB
Xmax:	0.079"(2mm)	0.079"(2mm)

LIST OF ARTICLES

Open package

Please confirm the item # on the package of the speakers you purchased (Model# is on the package). If the model # is different from what you want to purchase, please contact your purchase merchant immediately

- * Open the packing box and you will find the following items in it
- 2 PC Woofer
- 2 PC Mid-Range (RPM38 system only)
- 2 PC Tweeter
- 2 PC Crossover
- User Manual
- Screws bag

LIMITED SPEAKER WARRANTY STATEMENT

One Year Limited Warranty

Recoil Audio warrants the original owner that this product will be free of defects in material and workmanship for the period of one year from the date of the original purchase or installation, if:

- The allegedly defective product has not been abused, misused or improperly maintained and/or repaired during the warranty period,
- The defect is not caused by flooding, fire, explosion, earthquakes or similar phenomenon, and
- The defect is not caused by improper use

In order to obtain warranty service, contact your selling dealer or distributor in the country that your product was purchased. Recoil Audio will, at its option, repair or replace the product free of charge.

To the full extent allowed by law, Recoil Audio excludes and disclaims liability, whether based in contract or tort including negligence for any consequential, indirect incidental or special damages of any nature arising out of the sale, maintenance, use or failure of this product, even if Recoil Audio has been advised of the possibility of such damages in advance, and Recoil Audio limits its liability to replacement, repair or refund of the purchase price paid, at Recoil Audio's option.

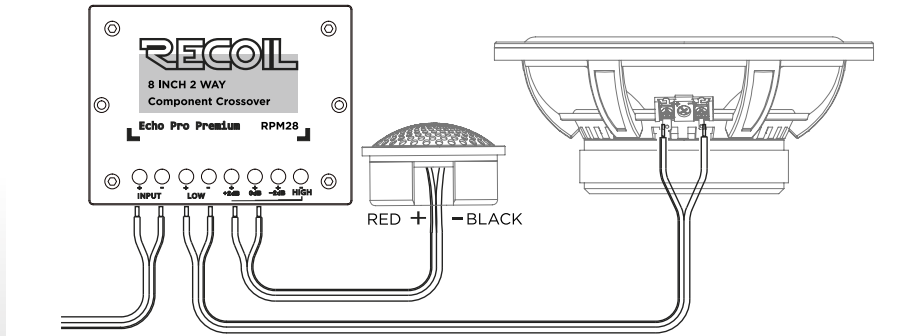
Some states do not allow limitations on how long an implied warranty lasts and/or do not allow the exclusion or limitation of incidental or consequential damages, so the above limitation on implied warranty can incidental or consequential damages may not apply to you. This warranty gives you specific legal rights you may have other rights, which vary from state to state.

www.recoilaudio.com

RPM28/38 Features

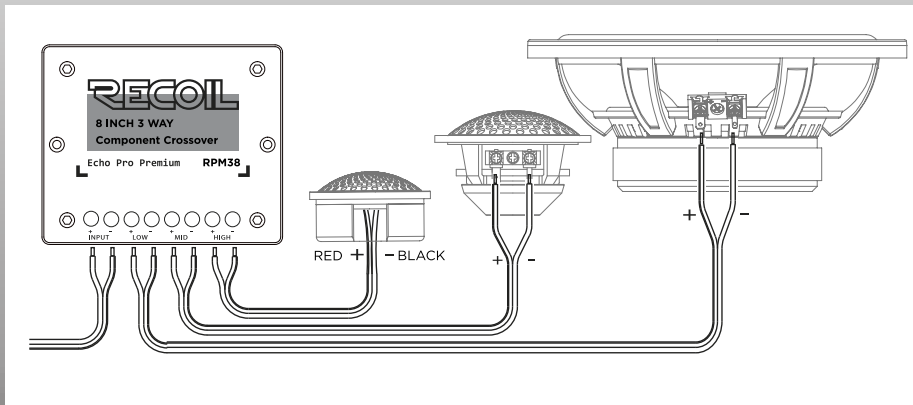
RPM28 - 2 WAY SYSTEM

RPM28 crossover has a tweeter attenuation jumper and a phase adjustment located under the removable cover. Choose “-2dB”/“0” /“+2dB”. If the tweeter is significantly closer to the listener than the midrange, this adjustment should improve the frequency level balance. Choose “0” or “180” degrees of polarity by reversing the wiring “+” and “-”. This adjustment may improve frequency response depending on the tweeter mounting location relative to the midrange.



RPM38 - 3 WAY SYSTEM

RPM38 crossover has a tweeter attenuation jumper and a phase adjustment located under the removable cover. Choose “-3dB”/“0” /“+3dB”. If the tweeter is significantly closer to the listener than the midrange, this adjustment should improve the frequency level balance. Choose “0” or “180” degrees of polarity by reversing the wiring “+” and “-”. This adjustment may improve frequency response depending on the tweeter mounting location relative to the midrange.



RPM28/38 Features

WOOFER

- 8"/209 mm Woofer Driver
- Aluminum Die-cast Frame
- Powerful Bass from a 27OZ Ferrite Magnet
- Compressed Cotton-Fiber Pulp Cone for a Rigid Yet Lightweight Diaphragm
- 1.4" Pure SV Voice Coil Wound on Kapton Former for Excellent Thermal and Mechanical Capability
- Over Sized Magnet provides Outstanding Energy for Maximum Control
- Power (105W RMS/210W MAX)

MIDRANGE (RPM38)

- 3.5"/91mm Midrange Driver
- Aluminum Basin Frame
- Highest Grade Neodymium Magnet Structure
- Pure Aluminum Rear Cover and Bullet Plug Provide Efficient Cooling.
- Compressed Cotton-Fiber Pulp Cone for a Rigid Yet Lightweight Diaphragm
- 0.78" Pure SV Voice Coil Wound on Kapton Former Utilizing EI CCAW Wire
- Power (30W RMS/60W MAX)

TWEETER

- 1.1"/28mm CCAW 4-Ohm Voice Coil | Aluminium Bobbin
- Silk Soft Dome Diaphragm
- Double Neodymium Magnet (N42H)
- Rear Chamber with Built-in Sound-absorbing Material
- Equipped with High-performance Audio Capacitor
- Full Aluminum Housing for Superior Heat Dissipation
- Compact Installation Size with Detachable Grille Design
- Power (25W RMS/50W MAX)

CROSSOVER (RPM28)

- Hi-Fi Grade Mylar Capacitors
- Unique Automatic Thermal Protection
- Crossover Point: 5,200Hz(12dB/oct)

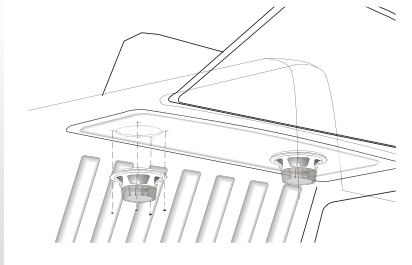
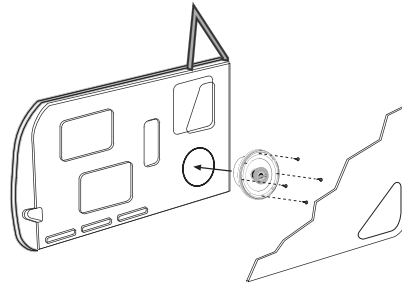
CROSSOVER (RPM38)

- Hi-Fi Grade Mylar Capacitors
- Unique Automatic Thermal Protection
- Crossover Point: Mid - 800Hz(12dB/oct)
Tw - 5,000Hz(12dB/oct)

RPM28/38 Woofer mounting

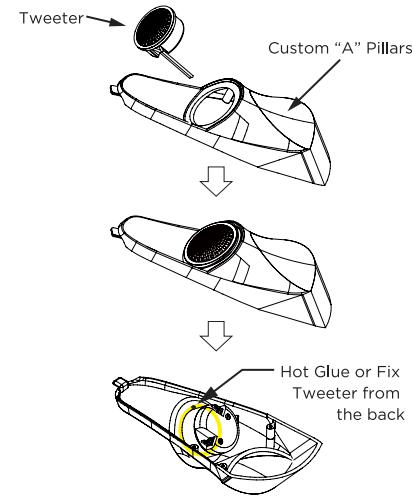
Determine a location in the door that will accept the size of your new speaker. Remove the door panel from the door and check for clearance in the intended speaker location while operating window all the way up and down. Avoid cutting any structural metal to mount the speakers or to accommodate additional depth. If depth or a flat surface mount are an issue, please seek the skills of a professional installation technician.

If you are mounting the speakers in the rear of the vehicle, there are often two options for achieving a good mount. Some speakers mount from the top side (from the interior) while other applications have the speakers mounted from the bottom side (from the trunk). In either case, a flat mounting surface and a good seal are still extremely important.

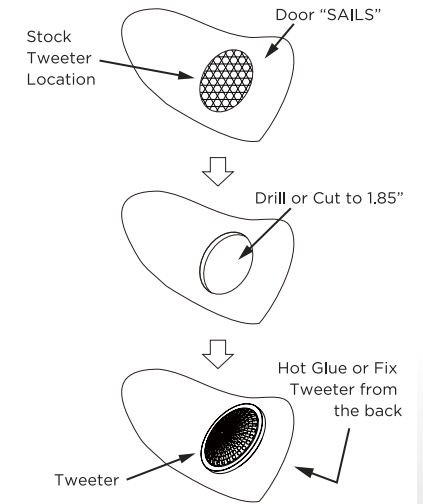


RPM28/38 Tweeter Mounting

FRONT MOUNT CUSTOM "A" PILLARS

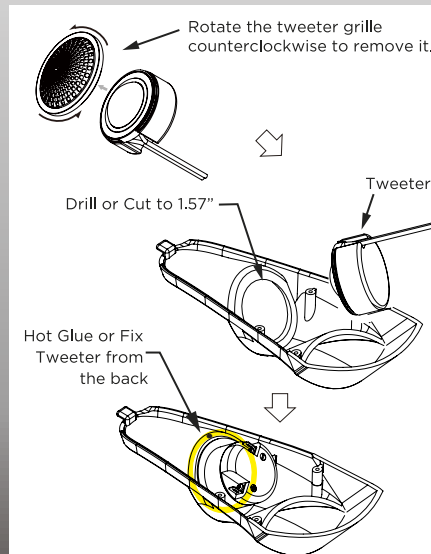


FRONT MOUNT TOP OF DOOR "SAILS"



RPM28/38 Tweeter Mounting

The RPM28/38 series tweeters boast the highest quality and are designed specifically for custom-tailored audio systems. When concealed installation in the factory tweeter locations of the A-pillars is required, they are typically secured using adhesives such as hot melt glue. For this reason, our tweeters feature a detachable faceplate. Once removed, the outer diameter of the tweeter is reduced to just 47mm (1.85"), making it an ideal fit for original vehicle tweeter mounting positions.



RPM28/38 Dimensions

