



# User Manual

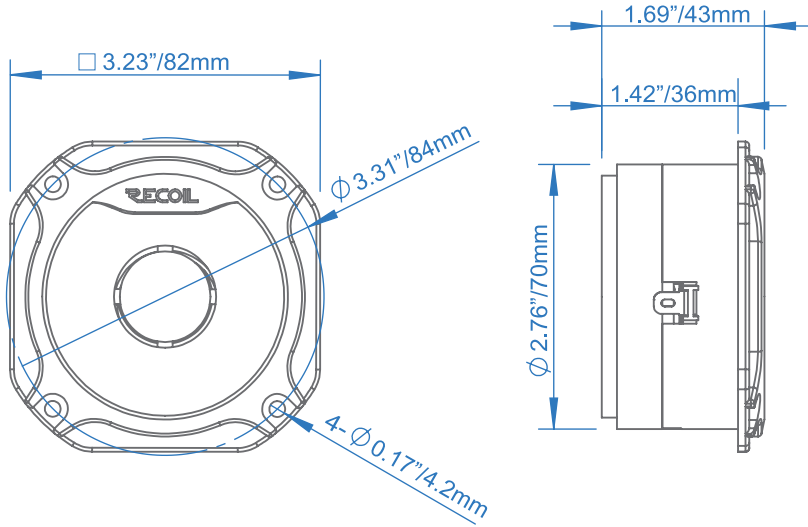
## INTRODUCTIONS

Congratulations on your purchase of our product! We hope RECOIL AUDIO Acoustics will delight you with its impressive performance. In producing our speakers, we utilize high-quality components and cutting-edge materials. This manual contains essential instructions for proper system installation and use. Before installation, please carefully review all guidelines provided. Failure to follow these instructions may result in product damage or unintended malfunctions.

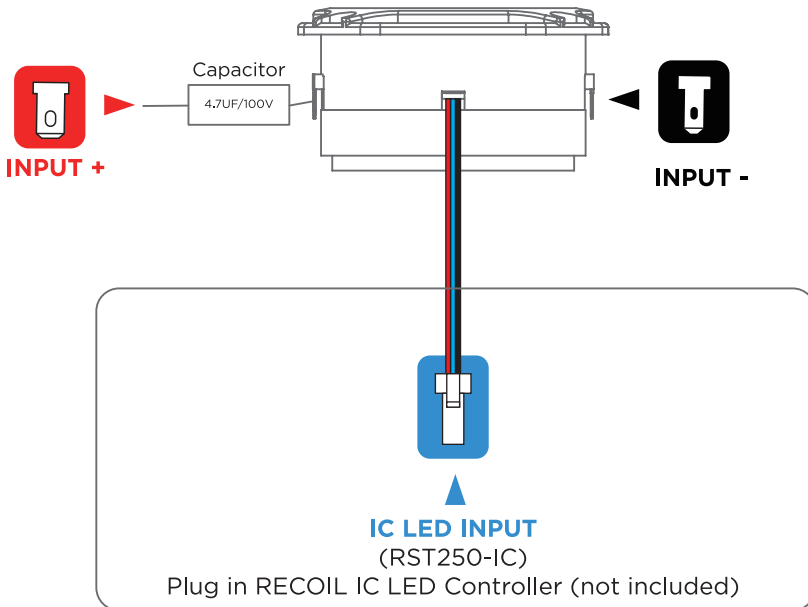
## SPECIFICATIONS

RMS Power : 60 W  
Max Power: 120 W  
Nominal Resistance (Ohm) : 4  $\Omega$   
Minimum Resistance (Ohm) : 3.6  $\Omega$   
Sensitivity (1W/M) : 93 dB(+/-3dB)  
Frequency Range: 3k-20 kHz  
Diaphragm Material: Auminum  
Voice Coil Diameter: 25.5 mm (1.0")  
Coil Material: KSV  
Magnet Material : Ferrite (6.3 OZ)  
Built in IC LED Module (Only RST250-IC)

**SIZE**

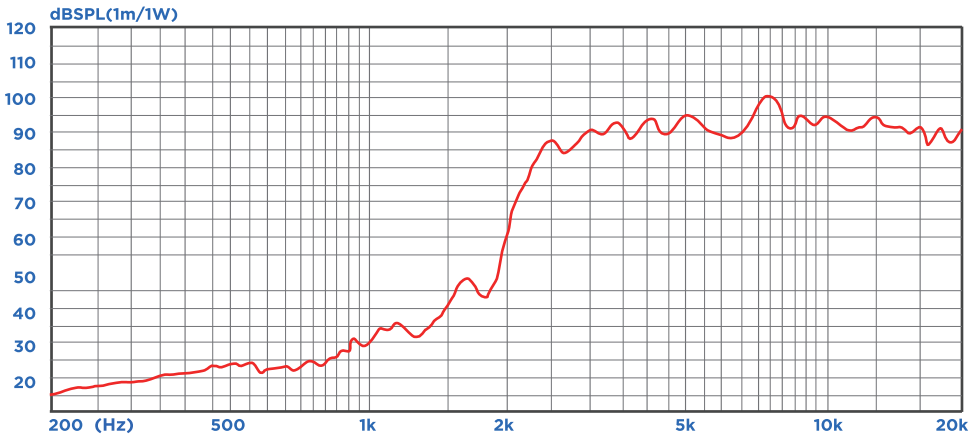


**INSTALLATION**



## Parameters/Frequency Response Curve

Diameter	Impedance	Rated Power	Max Power
82X82mm	4Ω	60W	1200W
Voice Coil	Sensitivity	Frequency Response	Diaphragm
∅1.0"/25.5mm	93dB/M/W	3KHz-20KHz	Auminum



**WWW.RECOILAUDIO.COM**

COPYRIGHT© 2026 RECOIL ALL RIGHTS RESERVED. RECOIL, NINGBO AVS TECHNOLOGY CO., LTD AND DOMESTIC INVESTMENT GROUP, LLC ASSUME NO RESPONSIBILITY OR LIABILITY FOR FINES OR DAMAGES INCURRED AS A RESULT OF IMPROPER USE OF THIS PRODUCT.