

# RECOIL

**TW2550**

**ECHO SERIES**

**Mini Super Horn Tweeter**



## **INSTRUCTION MANUAL**

**Please read this entire manual before first use**

## FEATURES

---

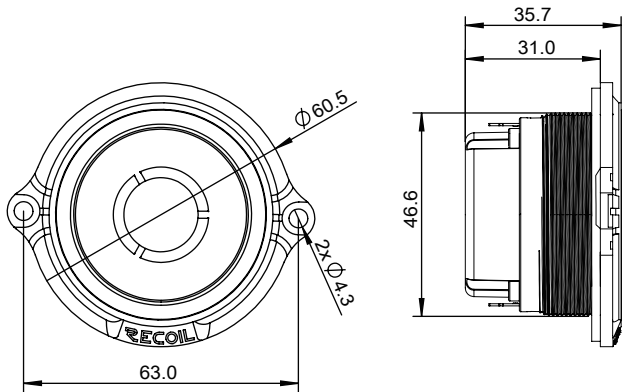
- Max Power: 100 Watts | RMS Power: 50 Watts
- 1.0"/25mm KSV 4-Ohm Voice Coil | Kapton Bobbin
- Aluminum Diaphragm
- Neodymium Magnet (N38)
- Includes High-performance Audio Capacitor
- Multiple mounting options
- Compact Installation Size

# Mini Super Horn Tweeter

# TW2550

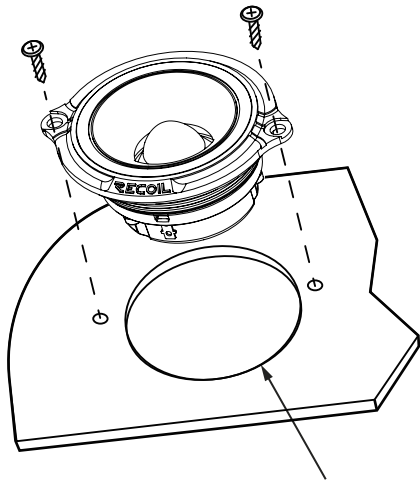
## Screw installation method dimension diagram

---



## Screw Mounting

---



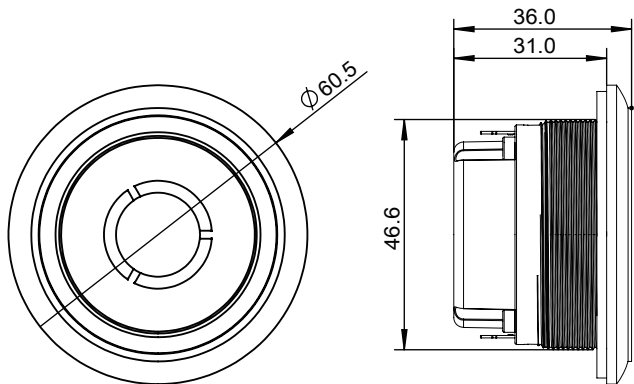
Drill or Cut to 1.85"(47mm)

# Mini Super Horn Tweeter

# TW2550

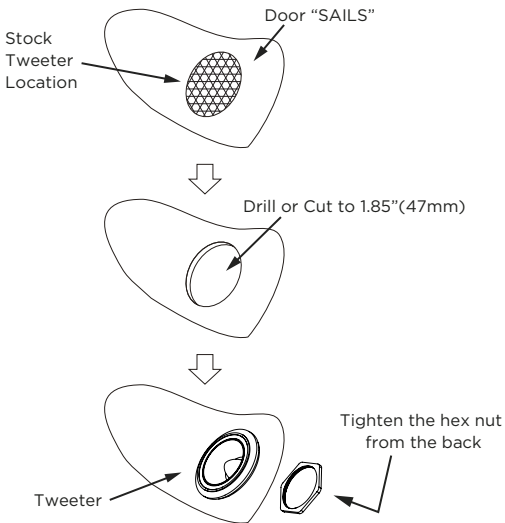
Dimensions in embedded installation mode

---



## Flush Mount Installation

---

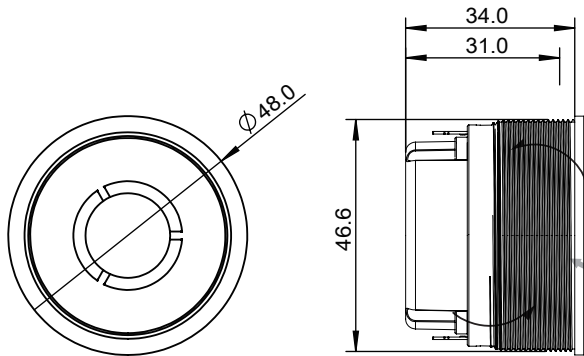


# Mini Super Horn Tweeter

# TW2550

## Dimensions (Minimal Mounting Profile)

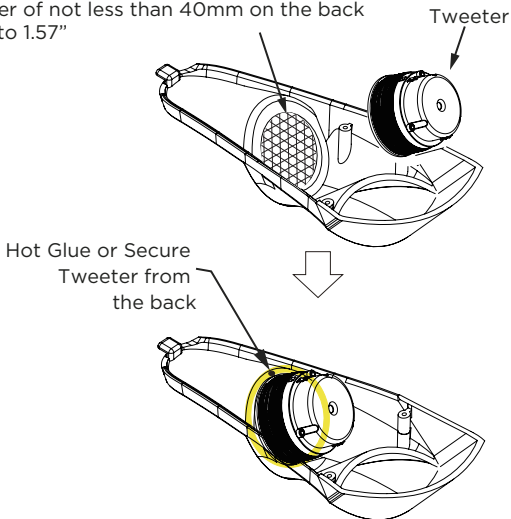
---



## Internal installation mode

---

Confirm that there is a platform with an inner diameter of not less than 40mm on the back or Cut to 1.57"

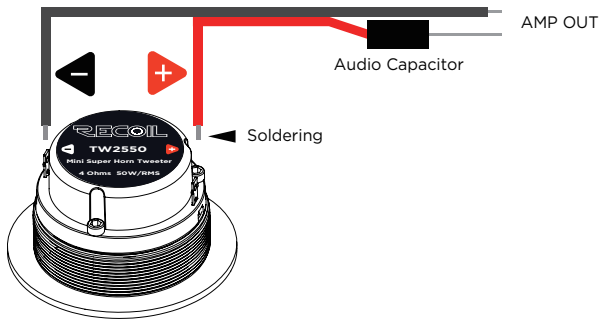


# Mini Super Horn Tweeter

# TW2550

## Connection

---



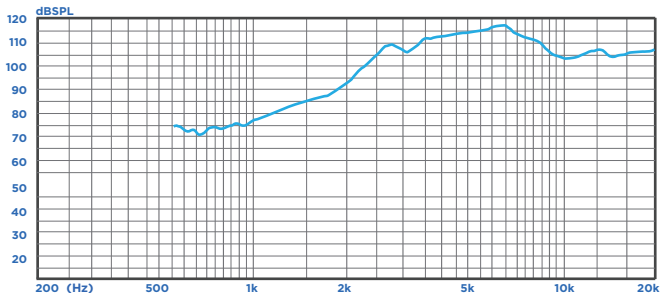
# Mini Super Horn Tweeter

# TW2550

## Parameters

Size	Impedance	Rated Power	Max Power
∅ 60.5mm/2.38"	4Ω	50W	100W
Voice Coil	Sensitivity	Frequency Response	Diaphragm
∅ 1.0"/25mm	105 dB (1W, 1m)	2.8KHz-20KHz	Aluminum

## Frequency Response Curve







COPYRIGHT © 2025 RECOIL ALL RIGHTS RESERVED. RECOIL, NINGBO AVS TECHNOLOGY CO., LTD AND DOMESTIC INVESTMENT GROUP, LLC ASSUME NO RESPONSIBILITY OR LIABILITY FOR FINES OR DAMAGES INCURRED AS A RESULT OF IMPROPER USE OF THIS PRODUCT.



**RECOIL**

**WWW.RECOILAUDIO.COM**

Copyright ©2025 Recoil Audio