



**RECOIL<sup>®</sup>**

**RCX35/RCX46  
RCX57/RCX68/RCX410**

Recoil Echo Series Coaxial Speakers

**User Manual**

## Introduction

Congratulations for purchasing Recoil speakers for your car audio system. You have chosen Recoil because you deserve the best!

Recoil speakers are designed and engineered to reproduce great sound quality for many years of listening enjoyment in your vehicle! We highly recommend that your new speakers be installed by an authorized Recoil dealer. Your authorized dealer can Professionally assemble/disassemble the interior of your vehicle and set the proper speaker placement for ideal sound quality,

If you decide to install the speakers by yourself, please thoroughly read through this manual before getting started. This manual will help familiarize yourself with these speakers and guide you through the installation process and procedures.

Please contact your local authorized Recoil dealer if you have any questions regarding the instructions in this manual. If you require additional assistance, please contact the [support@recoilaudio.com](mailto:support@recoilaudio.com)

## Specifications

Model	Type	Power Handling
RCX35	Recoil 3.5" 2-way Coaxial Speaker	Peak Power - 40 Watts   RMS Power - 20 Watts
RCX46	Recoil 4x6" 2-way Coaxial Speaker	Peak Power - 50 Watts   RMS Power - 25 Watts
RCX57	Recoil 5x7" 2-way Coaxial Speaker	Peak Power - 100 Watts   RMS Power - 50 Watts
RCX68	Recoil 6x8" 2-way Coaxial Speaker	Peak Power - 100 Watts   RMS Power - 50 Watts
RCX410	Recoil 4X10" 2-way Coaxial Speaker	Peak Power - 80 Watts   RMS Power - 40 Watts

## Installation

---

### Installing the Speakers

Your new Recoil speakers were designed with the flexibility to be installed in multiple locations. However, to ensure the best performance possible, it is important to isolate the front sound waves of the speaker from its rear sound waves. This is done by securely mounting the speaker to a flat surface known as a baffle. Make sure to seal the speaker to ensure there are no air leaks around its frame.

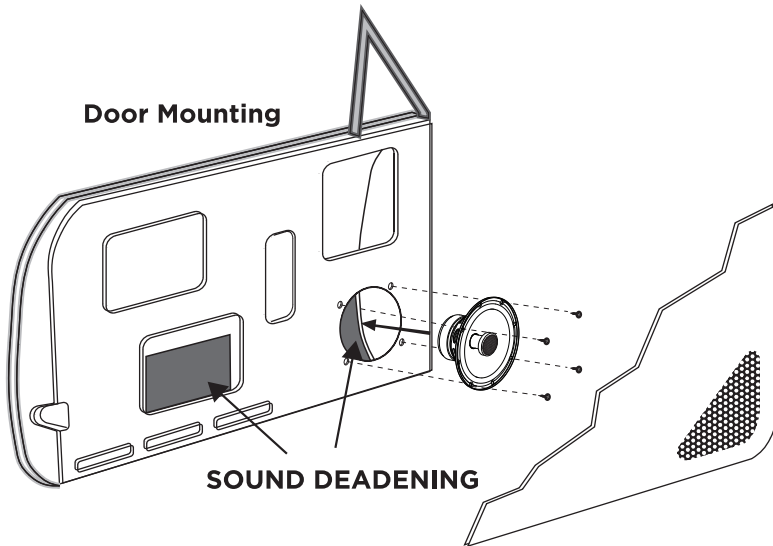
### Selecting a Location

If your vehicle has existing factory locations, the easiest method would be to replace them with the exact same size speaker. In the case where there is not a factory speaker location, there are many places where the speakers will fit in a vehicle, but they are not always the best locations for good sound. Make sure to take the time to select the best locations possible, Mounting the speakers so that they are equal distance from your ears will achieve the best results. If you experience any difficulties please consult with your local authorized Recoil dealer. They have the tools and know-how to help.

## Installation

### Door Mounting (if not using factory locations)

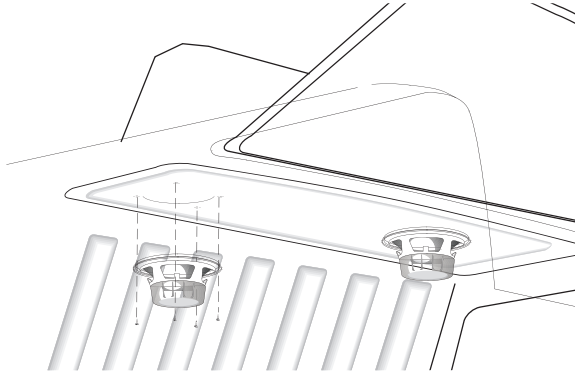
Prior to cutting, remove the panel from the door and check for clearance in the intended installation area, making sure the window will go all the way up and down without any interference. Avoid cutting any structural metal support or braces to mount the speakers. We HIGHLY recommend that for the BEST sound you put a sound deadening mat on the door "skin" (as shown below). The more "damped" your car is.... the better it will ultimately sound!!!



## Installation

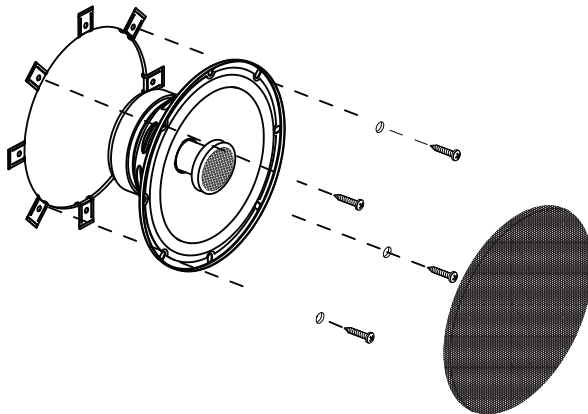
### Rear Deck Mounting

There are two primary methods for mounting speakers in the rear deck of a vehicle, top and bottom mounting. Top mounting requires dopping the speakers in through the deck (interior) while bottom mounting secures the speakers from underneath (trunk). Either method requires a good seal around the frame for the best performance.



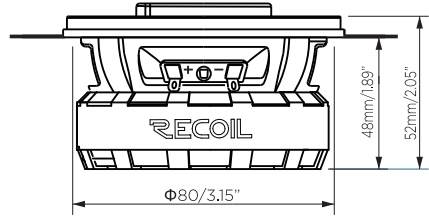
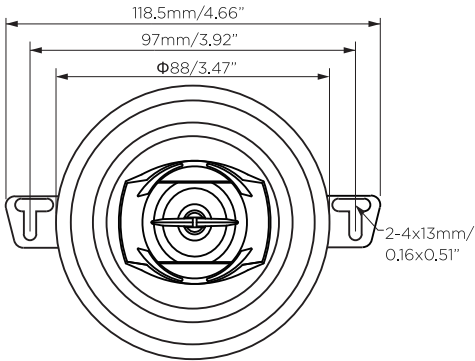
### Running New Wiring

In most cases when mounting new speakers you will use the factory supplied wiring, but if new wires have to be run there are some precautions that need to be taken. If the wire needs to run through metal, such as a door jamb, always use a grommet to prevent damage to your wires. Never run wire through bare metal! This can damage the source unit, amp, or even the speakers themselves. Safety of the wiring against short ciruis is THE MOST IMPORTANT ISTALLATION CONCERN.

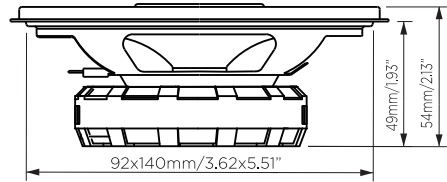
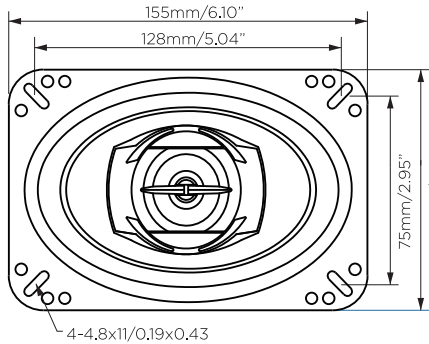


## Dimensions

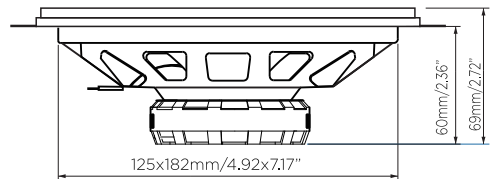
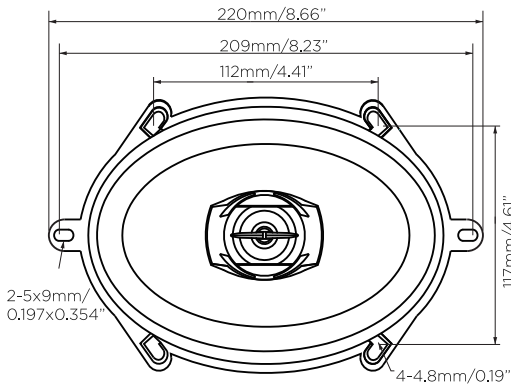
### RCX35



### RCX46

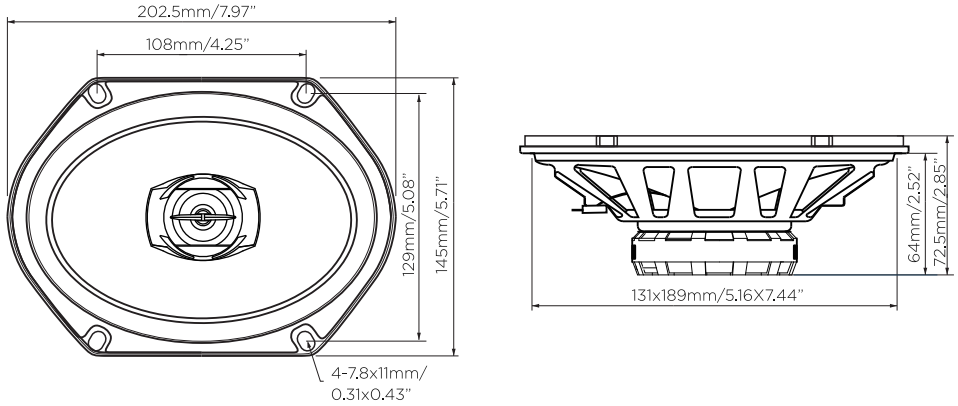


### RCX57

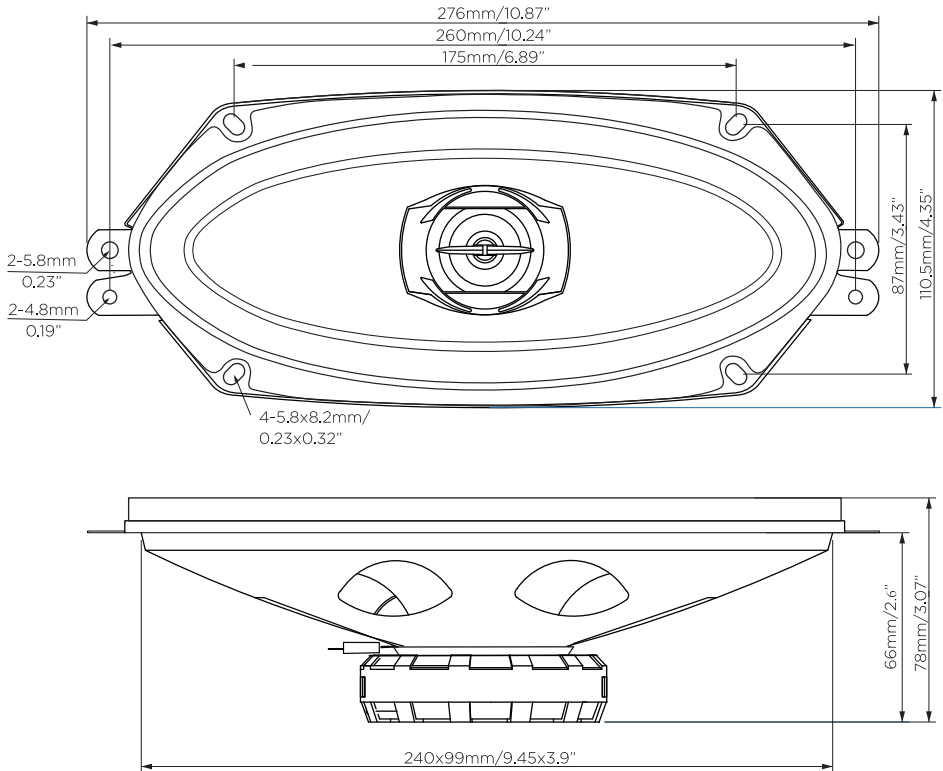


## Dimensions

### RCX68



### RCX410



# User Manual



**[WWW.RECOILAUDIO.COM](http://WWW.RECOILAUDIO.COM)**

COPYRIGHT© 2023 RECOIL ALL RIGHTS RESERVED. RECOIL,  
AVS INDUSTRIAL CO. LTD AND DOMESTIC INVESTMENT  
GROUP, LLC ASSUME NO RESPONSIBILITY OR LIABILITY  
FOR FINES OR DAMAGES INCURRED AS A RESULT OF  
IMPROPER USE OF THIS PRODUCT.