



**RECOIL<sup>®</sup>**

**RLS8,RLS10**

8"/10" Underseat Subwoofer with Bass Remote Control

**User Manual**

## INTRODUCTIONS

Congratulations on your purchase of our product! We hope RECOIL AUDIO will delight you with its impressive performance. In producing our speakers, we utilize high-quality components and cutting-edge materials. This manual contains essential instructions for proper system installation and use. Before installation, please carefully review all guidelines provided. Failure to follow these instructions may result in product damage or unintended malfunctions.

## PRODUCT FEATURES

1. All in one 8" /10" subwoofer with small unit design to fit under most vehicle seats.
2. Built-in Class-D(Impedance as low as 0.4 ohms) amplifier, "All-In-One Bass Addition Package" no need for external amplifier.
3. Die-cast aluminum heatsink.
4. High quality material design and craftsmanship.
5. Supports RCA (low level) or speaker (high level) signal input from audio source.
6. Adjustable GAIN control to match original vehicle system, so all speakers complement each other.
7. Easy-to-use control adjustments conveniently located on side of unit.
8. Remote bass volume control knob.

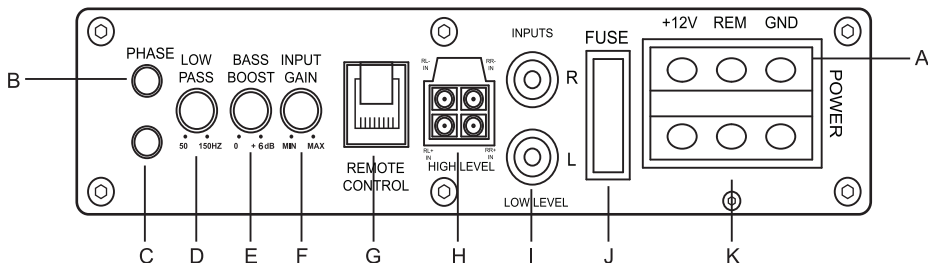
### Attention

- For use with negative ground 12-volt system, disconnect negative battery terminal before installing.
- Sounds levels over 100dB can cause hearing damage, please ensure volume levels do not exceed this for your safety.
- Removing the rear panel, or any tampering with the unit, will void the warranty.
- For proper (and continued) operations, please avoid long exposure to direct sun light, wet environment, and long-term high temperature environments.
- Recommended installation by a Professional Mobile Audio Technician.

## INCLUDED ITEMS INSIDE THE PACKAGE:

- 8" or 10" Subwoofer Unit
- Manual
- High Voltage Input Harness
- Velcro Mounting Tape (Male and Female)
- Mounting Bracket with Hardware (Screws)
- Bass Volume Remote Control with Cable

## Panel controls and features



### A. POWER STATUS LED

This bio-color LED glows green when power is on and no problems are present. If one of the protection circuit comes on, it will change to red.

### B. PHASE SHIFT

Use this switch to help compensate for time alignment problems in the system. Such problems usually result from having the subwoofer at a different distance from the listener than the other speakers in the system.

### C. AUTO POWER ON

The AUTO POWER ON (ON/OFF) is for high level (speaker-level) connections. When the switch is in the "ON" position, the subwoofer AUTO POWER ON when there is signal input. If the amplifier detected no signal input, the amplifier will auto turn off. If you prefer to use the remote turn on/off connection, the switch is in the OFF position.

**Note: Please connect the remote terminal to the remote output of head unit as Fig.4. When you hear the unit turn ON/OFF POP noise from the subwoofer.**

### D. LOW PASS FILTER

This control permits you adjust the frequency range you want the subwoofer amplifier to receive. The subwoofer will reproduce all sound BELOW the frequency you set.

**Note: The low pass filter frequency can be higher or lower than the standard. There have +/-20% tolerance.**

### E. BASS BOOST

The BASS BOOST feature will increase the sound level in the bass frequencies.

### F. INPUT GAIN CONTROL

After you have installed your system, turn this control to minimum. Turn the head unit on (and the subwoofer will turn on via the remote connection). Turn the head unit volume to about 2/3 full level. Slowly turn up the Subwoofer input gain control until you hear a small amount of distortion. Then reduce the level until the distortion is completely gone. Level the control at this setting.

### G. REMOTE LEVEL CONTROL

Attach the included remote level control to control the volume level of the subwoofer independently.

### H. HIGH LEVEL (speaker low) INPUTS

If your head unit does not have RCA outputs you can use the speaker outputs for the audio source for the subwoofer. Use the supplied cable and wire harness and connect the outputs properly as shown in the connection diagram in this manual.

### I. LOW LEVEL RCA INPUTS

Low level inputs are the recommended way to introduce the audio signal to the subwoofer if RCA outputs are present on your head unit or other signal source (such as a sound processor).

### J. FUSE

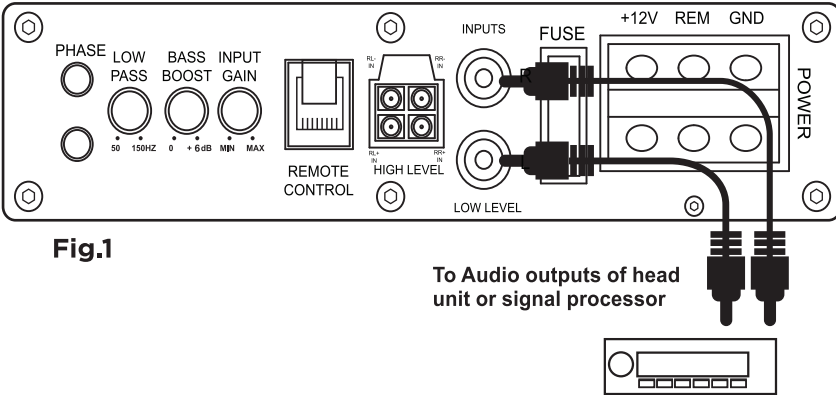
Do not use a fuse with a different value and NEVER replace the fuse with a wire or coin.

### K. POWER INPUT TERMINAL

## Low Level Input Wiring

Low-level (RCA) input wiring is preferred for best audio performance. Most trunk or hatchback installations will require a 15-20 feet RCA cable, while pick up trucks and under-seat installations will require a 6-12 feet RCA cable. Always use a high quality cable.

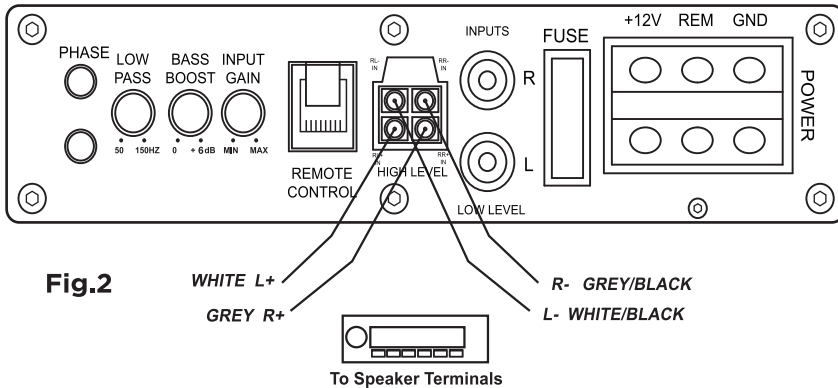
**NOTE: Do not connect BOTH the high level and low level inputs from your receiver to your amplifier at the same time**



## High Level Input Wiring

The high level input(s) should only be used when your receiver lacks RCA outputs. If the RCA outputs are not present, connect the speaker outputs from the receiver to the high level input connector of the amplifier. Be sure to observe polarity to avoid audio phase problems.

**NOTE: Do not connect BOTH the high level and low level inputs from your receiver to your amplifier at the same time**



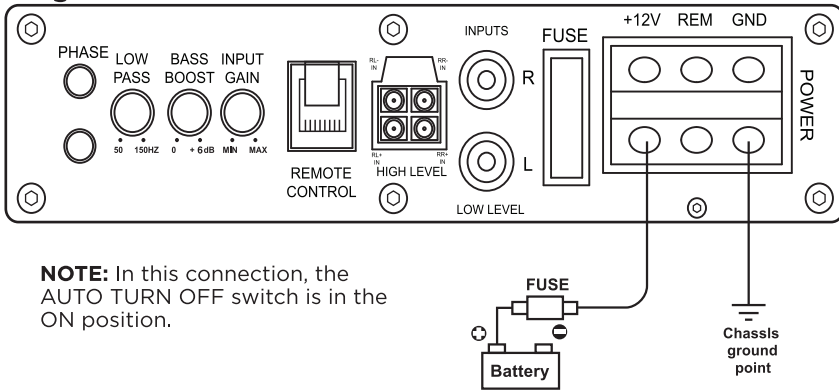
## Power Connections

Connect the ground terminal to the closest point on the chassis of the vehicle. Keep this ground wire to less than 39" (100 cm) in length. Use 8 gauge (or heavier) wire.

Connect the remote terminal to the remote output of head unit using 16 gauge (or heavier) wire.

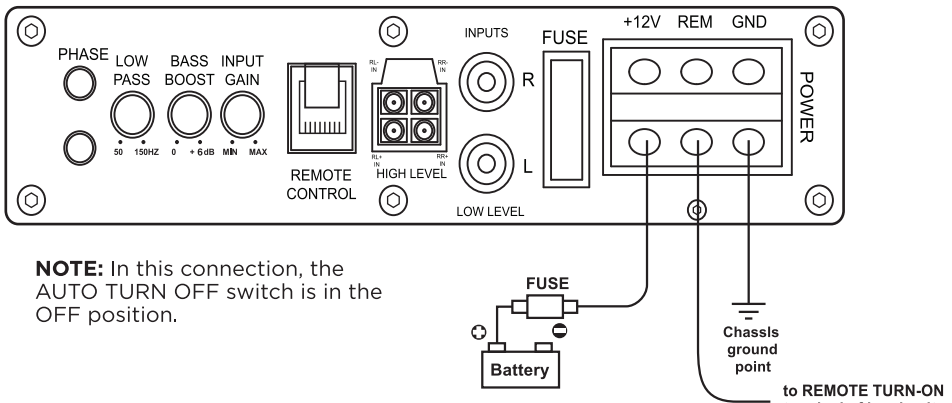
Connect an empty fuse holder within 18 (45 cm) of the car battery, and run 8 gauge (or heavier) cable from this fuse to the amplifier location. Then connect the fuse holder to the "BATT+" (+12V) connection on the subwoofer rear panel.

Fig.3



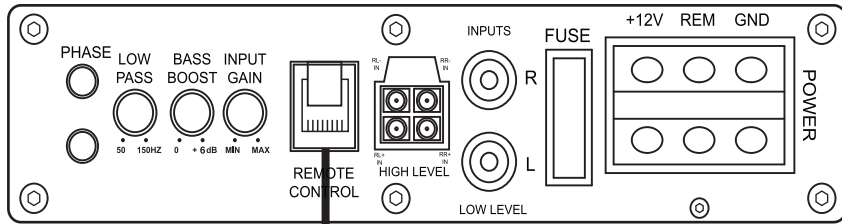
**NOTE:** In this connection, the AUTO TURN OFF switch is in the ON position.

Fig.4

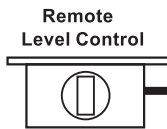


**NOTE:** In this connection, the AUTO TURN OFF switch is in the OFF position.

## Remote Level Control Connection



**Fig.5**



Install the remote control securely under the dash or in a similar location where using it will not distract the driver.

## Specifications

MODEL:	RLS8	RLS10
<b>Amplifier RMS power</b>	250W	250W
<b>THD</b>	<0.4%	<0.4%
<b>Signal-to-noise ratio</b>	>90dB	>90dB
<b>Frequency response</b>	20Hz-150Hz	20Hz-150Hz
<b>High level input sensitivity</b>	1.0-9.0V	1.0-9.0V
<b>Low level input sensitivity</b>	0.1-6V	0.1-6V
<b>Low Pass Filter</b>	50Hz-150Hz	50Hz-150Hz
<b>Bass Boost</b>	0to+6dB	0to+6dB
<b>Fuse rating</b>	25A	25A
<b>Subwoofer</b>	8"	10"
<b>Dimensions(L x W x H) mm</b>	318x241x67mm 12.5"x9.5"x2.3"	350x265x75mm 13.8"x10.4"x2.95"

All specifications subject for change without notice.

If you experience operation or performance problems with this product, compare your installation with the electrical wiring diagram on the previous pages. If problems, please read the following trouble shooting tips which may help eliminate the problems, or unintended malfunctions.

## Symptom Possible Remedy

<b>Amplifier will not power up.</b>	Check to make sure you have a good ground connection. Check that the Remote Input (Turn-On) has at least 5VDC. Check that there is battery power on the (+) terminal. Check that there is at least 12V. Check all fuse, replace if necessary. Make sure that the Protection LED is not illuminated. If it is lit, shut off the amplifier briefly, and then repower it.
<b>Protection LED comes on when amplifier is power up</b>	Check for shod circuits on speaker leads. Turn down the volume control on the head unit to prevent overdriving Remote speaker leads, and reset the amplifier. If the Protection LED still comes on, then the amplifier is faulty and needs servicing.
<b>No output.</b>	Check that all fuses are OK. Check that unit is properly grounded. Check that the Remote Input ( Turn-On) has at least 5VDC. Check that the RCA audio cables are plugged into the proper inputs. Check all speaker wiring.
<b>Low output.</b>	Reset the Level Control. Check the Crossover Control settings.
<b>High hiss in the sound.</b>	Disconnect all RCA inputs to the power sub's control panel. If the hiss disappears, then plug in the component driving the amplifier and unplug its inputs. If the hiss disappears at this point, go on until the faulty noisy component is found. It is best to set the amplifier's input level control as low as possible. The best subjective signal-to-noise ratio is achieved in this manner. Try to set the head unit as high as possible (without distortion) and the amplifier input level as low as possible
<b>Squealing noise is present.</b>	Check for improperly grounded RCA inter connects.
<b>Distorted sound.</b>	Check that the Input Level Control is setting to match the signal level of the head unit. Always try to set the Input level as low possible. Check that all crossover frequencies are properly setting. Check for short circuits on the speaker lead
<b>Amplifier gets very hot.</b>	Check that the minimum speaker impedance for the amp model is correct. Check that there, is good all ready circulation around the amplifier. In some applications, it may be necessary to add an extra cooling fan
<b>Engine noise (static type)</b>	This is usually caused by poor quality RCA cables, which can pick up radiated noise. Use only the best quality cables, and route them away from power cables.
<b>Engine noise (alternator whine)</b>	Check that the RCA grounds are not shorted to the vehicle chassis Check that the head unit is properly grounded.

**RECOIL<sup>®</sup>**

**[WWW.RECOILAUDIO.COM](http://WWW.RECOILAUDIO.COM)**

---

COPYRIGHT © 2026 RECOIL. ALL RIGHTS RESERVED. RECOIL, NINGBO AVS TECHNOLOGY CO., LTD AND DOMESTIC INVESTMENT GROUP, LLC ASSUME NO RESPONSIBILITY OR LIABILITY FOR FINES OR DAMAGES INCURRED AS A RESULT OF IMPROPER USE OF THIS PRODUCT.