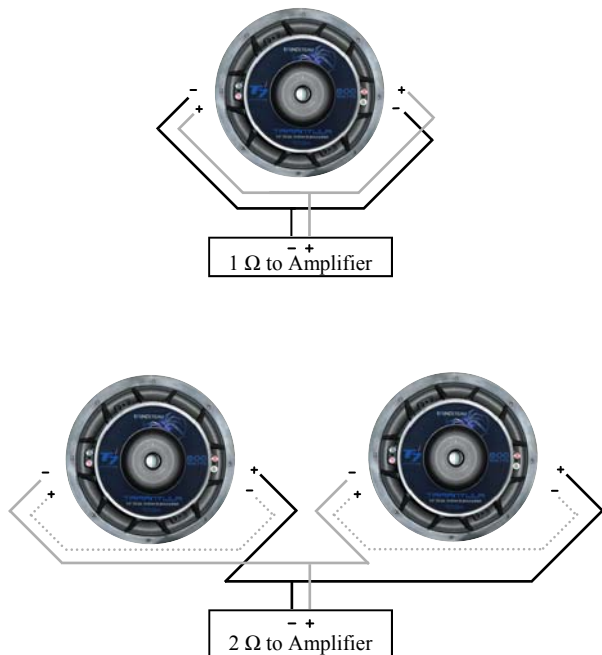


T7.124

T7.122



SOUNDSTREAM



T7

Specifications & Enclosure  
Recommendations

Over the years, the Tarantula subs have encountered many changes. For 2012, we are getting back to basics. No foo-foo, pretty parts that have no performance value. T7 is all about performance, period. From the High BL motor, to the heat extracting aluminum dust cap, to the lumpy cone, all the parts make sense and have a purpose. So, if you want to pay extra money for a pretty chrome or plastic shrouded woofer, go to the swap meet. If you want your money to pay for sheer performance, T7 is for you!

Congratulations on your new Soundstream sub-woofer purchase. We greatly appreciate your business. This may look like a run-of-the-mill cardboard box, but it's actually a protective barrier over one of the finest engineered and assembled sub-woofers available.

*Harmonic Indulgence... Listen and Feel*

## Features, Parameters, & Dimensions

Non Pressed Paper Pulp Cone  
Aluminum Heat-sink Dust-cap  
8ga. Compression Wire Terminals  
2.5" 430° Coil on Aluminum Former  
Die-Cast Aluminum Frame

Polyether Foam Surround  
Dual Poly-Cotton Suspension Spiders  
170oz. Strontium Ferrite Magnet  
Vented T-Yoke Back-plate  
Re-cone Kit Available

series wired	T7.122	T7.124
Fs (Hz)	32.27	34.16
Qms	5.05	5.48
Vas (ft <sup>3</sup> )	1.613	1.448
Cms (mm/N)	0.121	0.109
Mms (g)	200.6	199.1
Xmax (mm)	15	15
Xmech (mm)	22.5	22.5
Piston Diameter (in)	10.08	10.08
Sd (in <sup>2</sup> )	79.78	79.78
Qes	0.53	0.61
Re (Ω)	3.71	7.23
Z (Ω)	4	8
BL (Tm)	16.81	22.56
Rms Power (watts)	800	800
Qts	0.48	0.55
NO (%)	0.279	0.258
1w/1m SPL (dB)	86.43	86.2
Voice Coil Diameter (in)	2.50"	2.50"
Impedance (Ω)	DVC 2	DVC 4
M-vd (ft. <sup>3</sup> )	0.172	0.172
Overall Diameter (in)	12.50"	12.50"
Overall Height (in)	7.375"	7.375"
Mounting Depth (in)	6.625"	6.625"
Cutout Diameter (in)	11.125"	11.125"
Flange Width (in)	0.75"	0.75"
Flange Height (in)	0.75"	0.75"
Weight (lbs)	26lbs.	26lbs.

## Enclosure Dimensions

Soundstream does not provide enclosure dimensions as there are infinite variables when designing a box, i.e. vehicle, amplifier, music preferences, etc... For designs tailored to your specific needs, please contact us at [tech-support@soundstream.com](mailto:tech-support@soundstream.com), or 1-800-724-1377.

## Enclosure Construction

All enclosures should be made of .75" (3/4") material only. When possible, make the baffle 1.5" (1 1/2) thick and add .75" (3/4") to the depth of the enclosure to compensate. All volumes **INCLUDE** vent/port and subwoofer displacements. **DO NOT** change the volume unless you plan on adding a substantial amount of bracing. For added performance, applying a coat of fiberglass resin to the interior walls will greatly improve sealing the enclosure. Adding a thin layer of poly-fill will improve response by smoothing out reflections within the enclosure. Please see last page for woofer wiring diagrams.

## Enclosure Recommendations

	T7.122 Ported				T7.124 Ported			
	Cubic Feet	Port Diameter	FB (Hz)	F3 (Hz)	Cubic Feet	Port Diameter	FB (Hz)	F3 (Hz)
Min.	1.75	4" x 15.25"	36.2	33.3	1.75	4" x 15.25"	36.2	33
Opt.	2.00	4" x 14.5"	34	31.1	2.00	4" x 14.5"	34	30.8
Max.	2.25	4" x 14"	32.2	29.3	2.25	4" x 14"	32.2	29

	T7.122 Sealed			T7.124 Sealed		
	Cubic Feet	Q T C	Tuning (Hz)	Cubic Feet	Q T C	Tuning (Hz)
Min.	0.75	0.884	52.5	0.75	0.97	51.2
Opt.	1.00	0.785	50.3	1.00	0.865	48.36
Max.	1.25	0.725	49.5	1.25	0.801	47.1