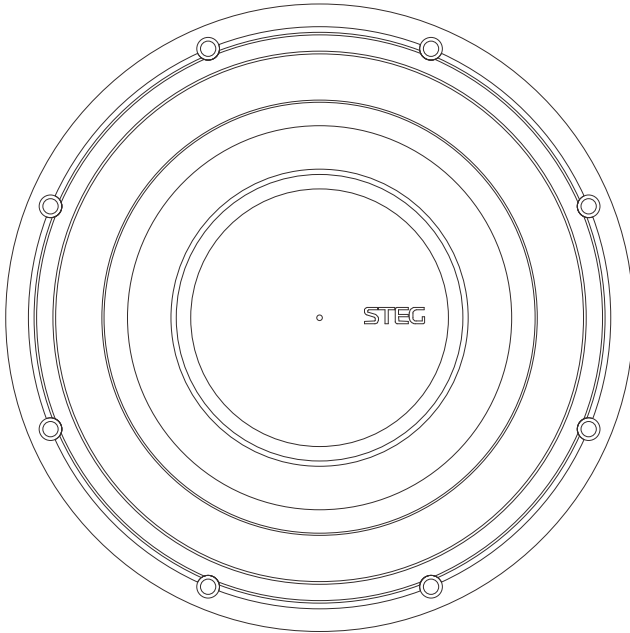


# HIGH-PERFORMANCE SLIM 8-INCH DUAL VOICE COIL SUBWOOFER



**SQ8-4**

**SQ8-2**



**USER'S GUIDE**  
Car Audio Subwoofers

**STEC<sup>®</sup>**

 <b>WARNING</b>	This symbol means important instructions. Failure to heed them can result in serious injury or death.
 <b>CAUTION</b>	This symbol means important instructions. Failure to heed them can result in injury or property damages.

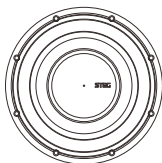
## **WARNING**

- **DO NOT DRIVE WHILE DISTRACTED.** Any function that requires your prolonged attention should not be performed while driving. Always stop the vehicle in a safe location before performing any such function. Failure to do so may result in an accident.
- **KEEP THE VOLUME AT MODERATE LEVELS WHILE DRIVING.** Excess volume levels can obscure sounds such as emergency vehicle sirens or road warning signals and may result in an accident. Continuous exposure to high sound pressure levels may cause permanent hearing loss. Use common sense and practice safe sound.
- **MAKE THE CORRECT WIRING CONNECTIONS AND USE PROPER FUSE PROTECTION.** Failure to connect wiring correctly with appropriate gauge and fuse protection may result in fire, injury or product damage. When replacing fuse(s) in the unit, never exceed the specified rating. Ensure proper protection of all system power wiring and install an external fuse (not included) with specified rating for each amplifier connected with the +12V lead at the battery terminal.
- **DO NOT ALLOW CABLES TO BECOME ENTANGLED IN SURROUNDING OBJECTS.** Arrange wiring and cables to prevent obstructions when driving. Cables or wiring that obstruct or hang up on places such as steering wheel, brake pedals, etc. can be extremely hazardous.
- **DO NOT DAMAGE VEHICLE SYSTEMS OR WIRING WHEN DRILLING HOLES.** When drilling holes in the chassis for installation, take precautions so as not to contact, puncture or obstruct brake lines, fuel lines, fuel tanks, electrical wiring, etc. Failure to take such precautions may result in fire or an accident.
- **DO NOT UTILIZE OR CONNECT TO ANY PART OF VEHICLE SAFETY SYSTEMS.** Bolts, nuts or wires used in the brake, airbag, steering or any other safety-related systems or fuel tanks should NEVER be used for mounting, power or ground connections. Using such parts may disable control of the vehicle or result in fire.

## **CAUTION**

- **STOP USE IMMEDIATELY IF A PROBLEM OCCURS.** Failure to do so may result in personal injury or damage to the product. Return it to your authorized STEG dealer.
- **HAVE AN EXPERT DO THE WIRING AND INSTALLATION.** This product requires special technical skill and experience for wiring and installation. To insure safety and proper function, always contact the authorized dealer where you purchased the product to have it done professionally.
- **INSTALL EACH COMPONENT SECURELY WITH SPECIFIED PARTS.** Be sure to use only the included parts and specified installation accessories (not included). Use of other than designated parts may damage this unit. Install the unit securely so that it will not come loose during a collision or sudden jolt.
- **ROUTE WIRING AWAY FROM SHARP EDGES AND MOVING PARTS.** Arrange cables and wiring away from sharp or pointed edges and avoid moving parts such as seat hinges or rails to prevent pinching or wear. Use loom protection where appropriate and always use a grommet for any wiring routed through metal.
- **NEVER RUN SYSTEM WIRING OUTSIDE OR UNDERNEATH THE VEHICLE.** All wiring must be routed, secured and protected inside the vehicle. Failure to do so may result in fire, injury or property damage.
- **INSTALL EACH COMPONENT IN A DRY AND VENTILATED LOCATION.** Avoid mounting locations where any component of this product will likely be exposed to high moisture or heat without adequate ventilation. Moisture penetration or heat buildup may result in product failure.
- **REDUCE SYSTEM GAIN(S) AND SOURCE VOLUME TO MINIMUM LEVELS FOR INITIAL SOUND TUNING.** Ensure amplifier power is off before connecting signal cables and follow proper system gain setting procedures. Failure to do so may result in damage to the amplifier(s), speaker(s) and/or other connected components.
- **DO NOT OVER-DRIVE AMPLIFIER(S).** Over-driving amplifier(s) into clipping will cause severe distortion that can damage the connected speaker(s). Ensure all system gains and levels are properly set to minimize the chance for amplifier clipping over the entire source volume range.
- **DO NOT EXCEED SPEAKER POWER HANDLING.** Make sure amplifier power output does not exceed the rated power handling of the connected speaker(s) or component(s) and do not allow over-excitation. Failure to use appropriate amplifier power, crossovers or level settings may result in product damage or failure.

**Package Contents:** (1) Subwoofer



**Accessories Required for Installation (not included):**

- Subwoofer Enclosure
- Speaker Wire
- Wire Crimp Connectors
- Grommets and Loom
- Cable Ties
- Mounting Screws

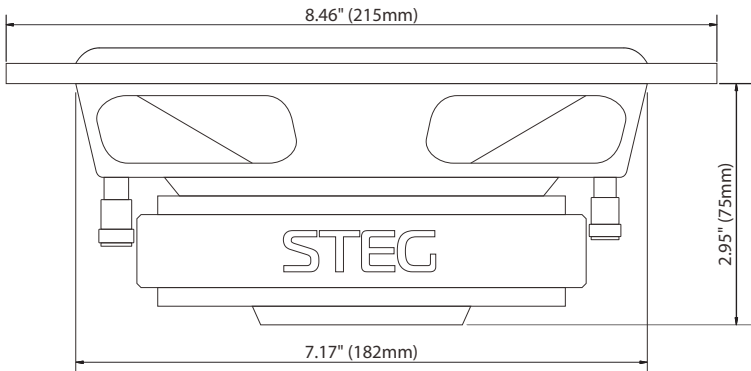
## INTRODUCTION

Thanks and congratulations for choosing STEG for your car audio equipment needs. These speakers have been meticulously designed and tested in order to assure sound performance, quality and reliability. Your enduring satisfaction is our constant pursuit.

## SPECIFICATIONS

Driver	SQ8-4	SQ8-2
Nominal Size	8" / 20cm	8" / 20cm
Power Handling (RMS)	300W	300W
Nominal Impedance	4Ω + 4Ω	2Ω + 2Ω
Frequency Response	38Hz - 500Hz	38Hz - 500Hz
Voice Coil Size	2" / 50mm	2" / 50mm
DC Resistance (Re)	3.6Ω + 3.6Ω	1.8Ω + 1.8Ω
Sensitivity (1W/1m)	83dB	83dB
Free Air Resonance (Fs)	38Hz	38Hz
Cone Area (Sd)	210cm <sup>2</sup>	210cm <sup>2</sup>
Mechanical Q (Qms)	6.5	6.5
Electrical Q (Qes)	0.56	0.56
Total Q (Qts)	0.5	0.5
Equivalent Stiffness (Vas)	12L	12L
Linear Excursion (Xmax)	10mm	10mm
Outside Diameter	8.46" / 215mm	8.46" / 215mm
Mounting Diameter	7.17" / 182mm	7.17" / 182mm
Mounting Depth	2.95" / 75mm	2.95" / 75mm

Recommended Box	SQ8-4	SQ8-2
Sealed Volume (internal)	0.35ft <sup>3</sup> / 9.9L	0.35ft <sup>3</sup> / 9.9L



**Note:** All specifications are subject to change without notice.

## Warranty & Service Care

GT Trading warrants this product to be free from manufacturing defects for a period of one (1) year from original date of purchase. Under this warranty, Wävtech will replace the defective product on behalf of GT Trading with a new or remanufactured one at no charge.

For speakers and component sets, only return the defective part. Do not return the other speaker, tweeter or crossover as they will be returned back to you. This warranty covers manufacturing defects only.

Wävtech will test each item received to verify there is a defect. If no defect is found, the item will be returned to dealer. Items misused, altered, or neglected are not covered. Wävtech will not be liable for any loss, cost of repair or any other damage of any kind connected with the use, or repair of its products. All warranty returns require pre-approval and Return Authorization.

### For Service within the United States:

Wävtech Customer Service: (480) 454-7017  
Monday – Friday, 8:30am to 5:00pm MST

Serial Number: _____
Installation Date: _____
Place of Purchase: _____

### Important Notice for International Customers:

For products purchased outside the United States of America or its Territories, please contact your local distributor concerning specific procedures for your country's warranty policy. International purchases are not covered by Wävtech, LLC.



GT Trading reserves the right to make modifications or improvements without notice thereof. The availability of the products illustrated is subject to change. The described in this User's Guide represent just a part of the STEG products available. All brands and trademarks mentioned have been used exclusively for description purposes and all rights belong to the respective owners, total or partial.

ITALY

[www.stegaudio-usa.com](http://www.stegaudio-usa.com)

STEG is the Property of GT Trading

Distributed in the Americas by Wävtech, LLC

**Wävtech**<sup>®</sup>

1350 W. Melody Ave.  
Suite 101  
Gilbert, AZ 85233  
(480) 454-7017

©Copyright 2021 Wävtech, LLC. All Rights Reserved.